



# LED SECURITY FLOODLIGHT

► **DESIGN** - LED DUAL-HEAD SECURITY LIGHT WITH MOTION SENSOR is a great way to keep your home safe at night. 360° rotatable light heads allow you to direct light where it is needed. It is designed to operate on 120-277V or 120V circuits.

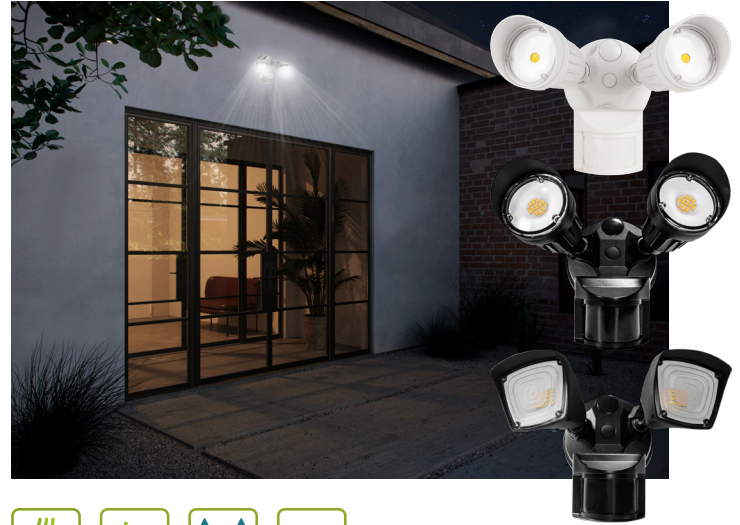
► **FLEXIBLE SETTINGS** - Built-in motion sensor has sensitive 180° detection angle and 70ft long detection distance. ON TIME mode: motion sensor and daylight sensor - off, light always on. AUTO mode: when motion is detected in darkness, the lights will turn on. D2D (Dusk To Dawn) mode will automatically turn on at night and stays off at daytime.

► **COLOR SELECTABLE** - You can choose either a 3,000K warm white, 4,000K cool white or 5,000K daylight color temperature.

► **APPLICATION** - Perfect commercial or industrial solution for both indoor and outdoor applications such as: porches, backyards, front doors, driveways, walkways, workshops, storage rooms, and more. It is also Wet Locations rated.

► **ADVANTAGES** - With a lifespan of 60,000 hours, these fixtures are made to last decades under normal operation! ASD provides a 5-year limited warranty along with ETL and certification to guarantee top quality products and safety!

Catalog number	
Notes	
Type	



Finish:  White  
 Black

Model	Head q-ty	Watts	Voltage	Dimmable	Lumens	CCT	Finish	Dimensions (LxWxH)
<b>LSR/LSR3 ROUND HEADS</b>								
ASD-LSR-20AC-WH	2 round heads	20W	120-277 V	-	1,850/2,036/2,040 lm	3CCT (3,000/4,000/5,000 K)	White	9-15/16" x 6-5/16" x 7-3/8"
ASD-LSR-20AC-BK	2 round heads	20W	120-277 V	-	1,850/2,036/2,040 lm	3CCT (3,000/4,000/5,000 K)	Black	9-15/16" x 6-5/16" x 7-3/8"
ASD-LSR3-25AC-WH	2 round heads	25W	120 V	-	2,135/2,289/2,115 lm	3CCT (3,000/4,000/5,000 K)	White	9-15/16" x 6-1/4" x 7-3/8"
ASD-LSR3-25AC-BK	2 round heads	25W	120 V	-	2,135/2,289/2,115 lm	3CCT (3,000/4,000/5,000 K)	Black	9-15/16" x 6-1/4" x 7-3/8"
<b>LSR2 SQUARE HEADS</b>								
ASD-LSR2-25AC-WH	2 square heads	25W	120-277 V	-	2,140/2,528/2,203 lm	3CCT (3,000/4,000/5,000 K)	White	9-3/4" x 7-3/16" x 6-3/4"
ASD-LSR2-25AC-BK	2 square heads	25W	120-277 V	-	2,140/2,528/2,203 lm	3CCT (3,000/4,000/5,000 K)	Black	9-3/4" x 7-3/16" x 6-3/4"

## ORDERING INFORMATION

Model	UPC	Pcs. per carton	Carton size	Carton weight	GTIN 14
<b>LSR/LSR3 ROUND HEADS</b>					
ASD-LSR-20AC-WH	810050735957	8	16.7" x 15.6" x 12.8"	20.7 lbs	30810050735958
ASD-LSR-20AC-BK	810050735964	8	16.7" x 15.6" x 12.8"	20.7 lbs	30810050735965
ASD-LSR3-25AC-WH	810050738781	8	16.7" x 15.6" x 12.8"	20.7 lbs	10810050738788
ASD-LSR3-25AC-BK	810050738798	8	16.7" x 15.6" x 12.8"	20.7 lbs	10810050738795
<b>LSR2 SQUARE HEADS</b>					
ASD-LSR2-25AC-WH	810050735971	8	22.7" x 16.8" x 14"	22.5 lbs	30810050735972
ASD-LSR2-25AC-BK	810050735988	8	22.7" x 16.8" x 14"	22.5 lbs	30810050735989

For most up-to-date spec sheets please refer to [asd-lighting.com](http://asd-lighting.com)



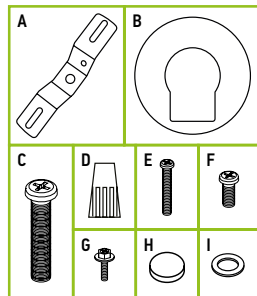
# LED SECURITY FLOODLIGHT

## PRODUCT SPECIFICATIONS:

Construction & Materials		
Housing	Aluminum	
Lens	PC	
Finish color	White, Black	
Weight	ASD-LSR-20AC-WH	1.8 lbs (0.8 kg)
	ASD-LSR-20AC-BK	
	ASD-LSR3-25AC-WH	
	ASD-LSR3-25AC-BK	2 lbs (0.9 kg)
	ASD-LSR2-25AC-WH	
ASD-LSR2-25AC-BK		
Environmental system		
Work environment	Suitable for Wet Locations, IP65	
Operating temperature	-4°F to 131°F (-20°C to 55°C)	
L-70 Life	> 60,000 hrs	for LSR: > 30,000 hrs
Optical system		
Luminous flux	ASD-LSR-20AC-WH	1,850/2,036/2,040 lm
	ASD-LSR-20AC-BK	
	ASD-LSR3-25AC-WH	2,135/2,289/2,115 lm
	ASD-LSR3-25AC-BK	
	ASD-LSR2-25AC-WH	2,140/2,528/2,203 lm
ASD-LSR2-25AC-BK		
Color temperature	3CCT (3,000/4,000/5,000 K)	
CRI	> 80	
Electrical system		
Input voltage	120-277 V	for LSR3: 120 V
Max input current	0.3 A	for LSR3: 0.35 A
Inrush current (Action time)	ASD-LSR-20AC-WH	6 A (0.42 S)
	ASD-LSR-20AC-BK	
	ASD-LSR3-25AC-WH	2.5 A (0.42 S)
	ASD-LSR3-25AC-BK	
	ASD-LSR2-25AC-WH	8 A (0.2 S)
ASD-LSR2-25AC-BK		
Off state power	0W	
Power consumption	25W	for LSR: 20W
Power factor	> 0.9	for LSR3: > 0.7
Output voltage	72 V	for LSR3: 108 V
Max output current	ASD-LSR-20AC-WH	0.28 A
	ASD-LSR-20AC-BK	
	ASD-LSR3-25AC-WH	0.182 A
	ASD-LSR3-25AC-BK	
	ASD-LSR2-25AC-WH	0.35 A
ASD-LSR2-25AC-BK		
Surge protection DM/CM	2 kV	for LSR3: 0.5 kV / 1 kV
Regular and voluntary certifications		
5-year limited warranty	cETLus certified 5002143	

## PACKAGE CONTENTS:

Description	Q-ty
LED Security Floodlight	1
Cross bar (A)	1
EVA gasket (B)	1
Bracket screw (C)	1
Wire nut (D)	3
Cross bar screw 3/4" (E)	2
Cross bar screw 3/8" (F)	2
Ground screw (G)	1
Decorative cap (H)	1
Rubber ring (I)	1
Box	1



## BUILT-IN MOTION SENSOR INFORMATION

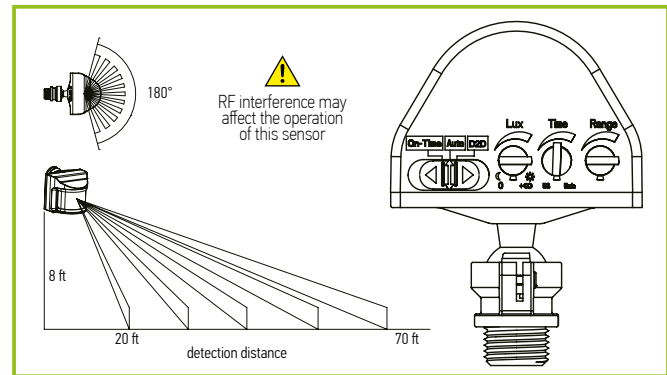
Sensor has three selectable modes:

**On-Time:** Motion sensor and daylight sensor -off, Light always on.

**How to set:** Sliding the "Arrow Line" to the "On-Time" mode, other knobs don't need to set.

**Auto:** When motion is detected in daytime, the indicator light inside the sensor blinks twice, but fixture will not come on. When motion is detected in darkness, the lights will turn on. **How to set:** Slide the "Arrow Line" to the "Auto" mode. Rotate the "lux" knob counter-clockwise all the way to the left (to the minimum setting). Adjust hold-time by rotating "Time" knob. Adjust detection range by rotating "Range" knob. If you rotate "lux" knob clockwise all the way to the right (maximum setting), the light will turn on during daytime and night when motion is detected.

**D2D:** The fixture will turn ON at dusk when the unit detects reduced light intensity (between 5-50 lux (0,5-4,7 fc)). The fixture will turn OFF at dawn when the unit detects increased light intensity (between 35-400 lux (3,3-37 fc)). The "D2D" Mode setting does not detect motion. **How to set:** slide the "Arrow Line" all the way to the right to the "D2D" mode. Rotating the "lux" knob counter-clockwise all the way to the left (to the minimum setting). "Time" and "Range" don't need to set. The "D2D" Mode setting does not detect motion.



The fixture is set to "On-Time" mode by default.

Specifications	Model: RTGYQ-W40-180
Operating voltage	100 ~ 277 Vac
Detection distance	19 ~ 69 ft (adjustable)
Installation height	3 -13 ft; Standard mounting height: 8 ft
Ambient light	0 - + ∞ lux (fc)
Hold-time	5 s - 5 min
Detection motion speed	0.6 - 1.5 m/s
Operating mode	On time/Auto/D2D
Detection range	Horizontal 180°, Vertical 90°

For most up-to-date spec sheets please refer to [asd-lighting.com](http://asd-lighting.com)



# LED SECURITY FLOODLIGHT

## INSTALLATION GUIDE

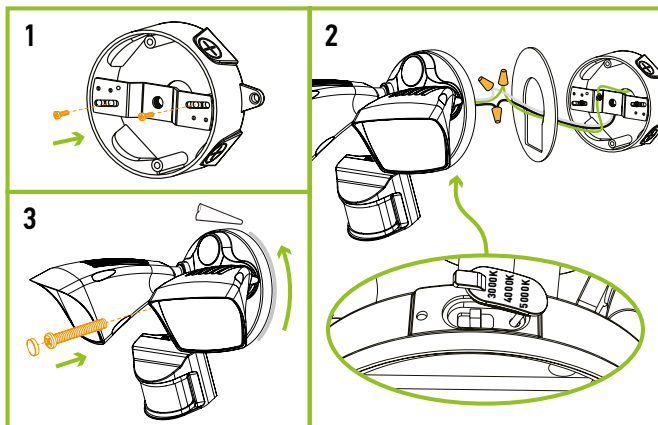
### IMPORTANT SAFETY INFORMATION:

Please read all the instructions below before installation.

- ▶ Make sure that the supply voltage corresponds to the rated product voltage.
- ▶ The product must be installed by a qualified electrician in accordance with the National Electrical Code and corresponding local codes.
- ▶ If the product is damaged, do not use it.

### INSTALLATION STEPS:

1. Attach crossbar to the outlet box using two mounting screws.
2. Thread the fixture wire through the gasket. Connect the wires: Black to Black, White to White, and Green wire reel up to the green screw. Screw up green screw into the hole on the cross bar. Secure the connection with wire nuts. Change the position of the CT switch on the housing to the desired color temperature.
3. Drive the bracket screw through the center hole of the fixture base to the crossbar and secure by tightening it. For outdoor locations it is recommended to use silicone (not included) as shown in the picture.



### ⚠ WARNING

**RISK OF PERSONAL INJURY – READ and follow all WARNINGS and installation instructions.** Keep or give to the owner for future reference.

**Risk of cuts:** Wear gloves to prevent cuts or abrasions when removing from carton, handling, installing, and maintaining this product.

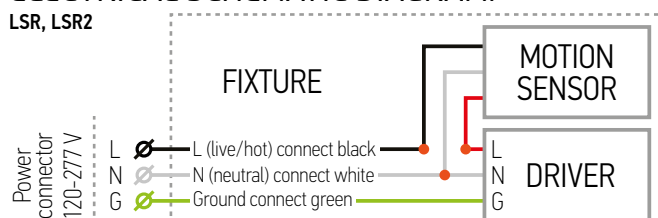
**Risk of electric shock:** This product must be installed in accordance with the applicable installation code by a person familiar with the construction and operation of the product and the hazards involved.

**Risk of Fire:** Minimum 194°F supply conductors. Consult a qualified electrician to ensure correct branch circuit conductor.

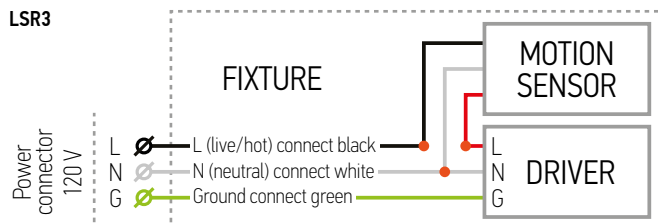
ASD® assumes no responsibility for claims arising out of improper or careless installation or handling of this product.

### ELECTRICAL SCHEMATIC DIAGRAM:

LSR, LSR2



LSR3



For most up-to-date spec sheets please refer to [asd-lighting.com](http://asd-lighting.com)