



# NEW CONSTRUCTION MOUNTING PLATE WITH SQUARE HOLES

► **DESIGN & OPTIONS** - NEW CONSTRUCTION MOUNTING PLATE WITH SQUARE HOLES and sliding clips is perfect for installing LED recessed lighting kits into newly constructed or remodeled homes. Both 13.5" hanger bars are extendable to a maximum length of 25.5" and the mounting plate can slide along the bars from end to end. The NEW CONSTRUCTION MOUNTING PLATE has a multipurpose design that allows you to accommodate a range of 3", 4" and 6" LED recessed lights and low-profile recessed lighting kits. Sliding clips with nails on each side guarantee secure positioning.

► **INSTALLATION** - Installation is quick and easy. Just adjust the mounting plate position and fix it with nails. Remove the metal template of needed size and install your light. You can also secure the J-box position. Refer to install instructions for detailed steps.

► **APPLICATION** - This NEW CONSTRUCTION MOUNTING PLATE WITH SQUARE HOLES and sliding clips is a great solution for both residential and commercial use. It is perfect for installing LED recessed lighting kits into newly constructed or remodeled homes.

## PRODUCT LEGEND:

| Family                          | Cut hole shape | Cut hole size    | Installation       |
|---------------------------------|----------------|------------------|--------------------|
| ASD-MPL                         | X              | XXX              | XX                 |
| New Construction Mounting Plate | S = Square     | 346 = 3/4/6 inch | SC = Sliding Clips |

## NEW CONSTRUCTION MOUNTING PLATE:

| Model           | Cut hole shape | Dimensions (LxW)  | UPC          |
|-----------------|----------------|-------------------|--------------|
| ASD-MPLS-346-SC | Square         | 12 1/16" x 7 1/2" | 810050731843 |

## PRODUCT SPECIFICATIONS:

| Construction & Materials             |                            |
|--------------------------------------|----------------------------|
| Housing                              | Iron                       |
| Weight                               | 1.1 lb (0.5 kg)            |
| Environmental System                 |                            |
| Work Environment                     | Suitable for Dry Locations |
| Regular and Voluntary Certifications |                            |
| 5-year limited warranty              |                            |

|                |  |
|----------------|--|
| Catalog number |  |
| Notes          |  |
| Type           |  |



## PACKAGE CONTENTS:

| Description                     | Q-ty |
|---------------------------------|------|
| New Construction Mounting Plate | 1    |
| Box                             | 1    |
| Cut sheet                       | 2    |

# INSTALLATION GUIDE

## IMPORTANT SAFETY INFORMATION:

Please read all the instructions below before installation.

- The product must be installed by a qualified electrician in accordance with the National Electrical Code and corresponding local codes.
- If the product is damaged, do not use it.

## ⚠ WARNING

**RISK OF PERSONAL INJURY – READ and follow all WARNINGS and installation instructions.**

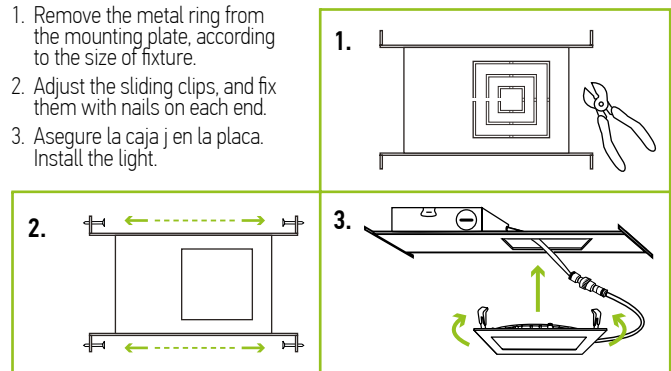
Keep or give to the owner for future reference.

**Risk of cuts:** Wear gloves to prevent cuts or abrasions when removing from carton, handling, installing, and maintaining this product.

ASD® assumes no responsibility for claims arising out of improper or careless installation or handling of this product.

## INSTALLATION STEPS:

1. Remove the metal ring from the mounting plate, according to the size of fixture.
2. Adjust the sliding clips, and fix them with nails on each end.
3. Asegure la caja j en la placa. Install the light.



## ORDERING INFORMATION:

| Model           | Pcs in middle box | Middle box Size    | Middle box Weight | GTIN 14 for Middle box | Pcs in one Carton | Carton Size          | Carton Weight | GTIN 14 for Carton |
|-----------------|-------------------|--------------------|-------------------|------------------------|-------------------|----------------------|---------------|--------------------|
| ASD-MPLS-346-SC | 6                 | 15" x 11.2" x 7.5" | 7.7 lb            | 10810050731840         | 12                | 23.2" x 15.6" x 8.3" | 17 lb         | 20810050731847     |

For most up-to-date spec sheets please refer to [asd-lighting.com](http://asd-lighting.com)