



LED ROUND RECESSED GIMBAL

► **DESIGN** - LED ROUND RECESSED GIMBAL with 25° swivel lens is a perfect for sloped ceilings and directional lighting. The included J-box, plug & twist connector, spring-loaded clips make your installation process quick and easy. The acrylic lens with a 35° beam angle grants you even light distribution. It is designed to operate on 120V circuits.

► **COLOR SELECTABLE** - You can choose either a 3,000K warm white, 4,000K cool white or 5,000K daylight color temperature.

► **DIMMING** - Smooth triac dimming capabilities ranging from 10% to 100% with modern LED dimmers allow you to control the look and feel of your space.

► **INSTALLATION** - This fixture is IC rated so there is no can or any other housing required. It is also suitable for Damp Locations, making it perfect for family room, bedroom or any other common areas.

► **ADVANTAGES** - With a lifespan of 50,000 hours, these fixtures are made to last decades under normal operation! ASD provides a 5-year limited warranty along with ETL certification to guarantee top quality products and safety!

Catalog number	
Notes	
Type	



**IC
RATED**

Model	Size	Watts	Voltage	Dimmable	Lumens	CCT	Finish	Dimensions (LxH)	Beam angle
ASD-LGBR-3D7CC-WH	3 inch	7W	120 V	TRIAC	490/607/526 lm	3CCT (3,000/4,000/5,000 K)	White	3-3/8" x 1-3/4"	35°
ASD-LGBR-4D12CC-WH	4 inch	12W	120 V	TRIAC	900/1,081/1,043 lm	3CCT (3,000/4,000/5,000 K)	White	5-1/16" x 2-7/16"	25°

ORDERING INFORMATION

Model	UPC	Pcs. in middle box	Middle box size	Middle box weight	GTIN 14 in middle box	Pcs. per carton	Carton size	Carton weight	GTIN 14 in carton
ASD-LGBR-3D7CC-WH	810050734691	6	10.6" x 4.5" x 7.9"	5.4 lbs	10810050734698	12	11.2" x 9.6" x 8.5"	11.7 lbs	20810050734695
ASD-LGBR-4D12CC-WH	810050734707	6	13" x 5.6" x 11"	10.1 lbs	10810050734704	12	13.6" x 12" x 11.6"	21.3 lbs	20810050734701

ACCESSORIES:

Model	Description	UPC	Pcs. per carton	Carton size	Carton weight	GTIN 14 in carton
ASD-MPLR-346-FA-6PACK	New construction flat mounting plate with asymmetric round holes 3-4-6"	810050739344	4	14.4" x 9.8" x 3.2"	22.5 lbs	10810050739341
ASD-MPLR18-346-FA-6PACK	New construction flat mounting plate 18" with asymmetric round holes 3-4-6"	810128112826	4	18.9" x 9.8" x 3.2"	32.9 lbs	10810128112823
ASD-MPLR-346-FS-6PACK	New construction flat mounting plate with symmetric round holes 3-4-6"	810050739351	4	27.2" x 9.1" x 3.2"	25.2 lbs	10810050739358
ASD-MPLR-346-SC-6PACK	New construction mounting plate with round holes and sliding clips 3-4-6"	810050739337	2	17.3" x 11.9" x 13.4"	17 lbs	10810050739334

For most up-to-date spec sheets please refer to asd-lighting.com

ASD LIGHTING CORP

E-mail: orders@asd-lighting.com | Web site: www.asd-lighting.com





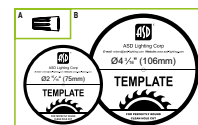
LED ROUND RECESSED GIMBAL

PRODUCT SPECIFICATIONS:

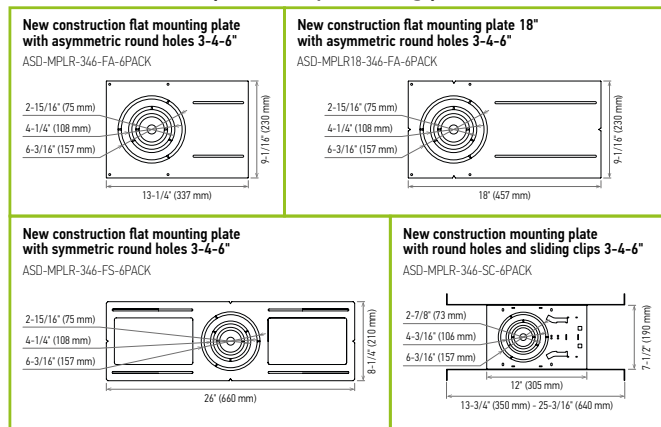
Construction & Materials			Electrical system		
Housing	Aluminum		Input voltage	120 V	
Lens	Acrylic		Max input current	ASD-LGBR-3D7CC-WH	0.08 A
Finish	White			ASD-LGBR-4D12CC-WH	0.12 A
Weight	ASD-LGBR-3D7CC-WH	0.8 lbs (0.4 kg)	Inrush current (Action time)	ASD-LGBR-3D7CC-WH	0.08 A (0.06 S)
	ASD-LGBR-4D12CC-WH	1.5 lbs (0.7 kg)		ASD-LGBR-4D12CC-WH	0.12 A (0.1 S)
Environmental system			Off state power	0W	
Work environment	Suitable for Damp Locations		Power consumption	ASD-LGBR-3D7CC-WH	7W
Operating Temperature	14°F to 113°F (-10°C to 45°C)			ASD-LGBR-4D12CC-WH	12W
L-70 Life	> 50,000 hrs		Power factor	> 0.9	
Optical system			Output voltage	ASD-LGBR-3D7CC-WH	18-32 V
Luminous flux	ASD-LGBR-3D7CC-WH	490/607/526 lm		ASD-LGBR-4D12CC-WH	32-40 V
	ASD-LGBR-4D12CC-WH	900/1,081/1,043 lm	Max output current	ASD-LGBR-3D7CC-WH	0.225 A
Color temperature	3CCT (3,000/4,000/5,000 K)			ASD-LGBR-4D12CC-WH	0.285 A
CRI	> 80				
Dimming range					
10-100%					
Dimming compatible controls					
Brand	Lutron	Leviton			
Models	CTELV-303P-WH	SELV-300P	6674		
	DVELV-300P				
Regular and voluntary certifications					
5-year limited warranty					
cETLus certified 3194213					

PACKAGE CONTENTS:

Description	Q-ty
LED Round Recessed Gimbal	1
Wire nut (A)	3
Template for 3 inch or 4 inch (B)	1
Box	1



ACCESSORIES (sold separately):



ACCESSORY COMPATIBILITY LIST:

Accessories	New construction flat mounting plate with asymmetric round holes 3-4-6"	New construction flat mounting plate 18" with asymmetric round holes 3-4-6"	New construction flat mounting plate with symmetric round holes 3-4-6"	New construction mounting plate with round holes and sliding clips 3-4-6"
Models				
ASD-LGBR-3D7CC-WH	•	•	•	•
ASD-LGBR-4D12CC-WH	•	•	•	•

INSTALLATION GUIDE

IMPORTANT SAFETY INFORMATION:

Please read all the instructions below before installation.

- ▶ Make sure that the supply voltage corresponds to the rated product voltage.
- ▶ The product must be installed by a qualified electrician in accordance with the National Electrical Code and corresponding local codes.
- ▶ If the product is damaged, do not use it.

⚠ WARNING

RISK OF PERSONAL INJURY – READ and follow all WARNINGS and installation instructions. Keep or give to the owner for future reference.

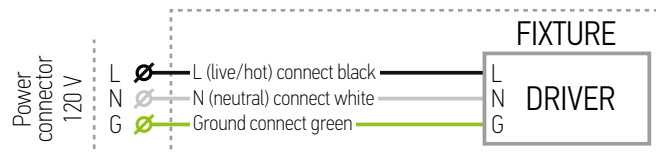
Risk of cuts: Wear gloves to prevent cuts or abrasions when removing from carton, handling, installing, and maintaining this product.

Risk of electric shock: This product must be installed in accordance with the applicable installation code by a person familiar with the construction and operation of the product and the hazards involved.

Risk of Fire: Minimum 194°F supply conductors. Consult a qualified electrician to ensure correct branch circuit conductor.

ASD® assumes no responsibility for claims arising out of improper or careless installation or handling of this product.

ELECTRICAL SCHEMATIC DIAGRAM:



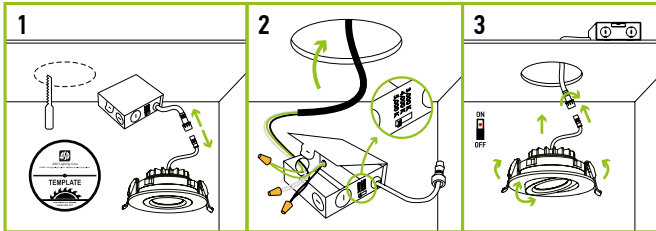
For most up-to-date spec sheets please refer to asd-lighting.com



LED ROUND RECESSED GIMBAL

INSTALLATION STEPS:

1. Use template to cut an appropriate sized hole. Disconnect the fixture from the junction box.
2. Open junction box. Connect the wires: Black to Black, White to White, Green to Green. Secure the connection with wire nuts. Choose needed color temperature by adjusting the switch. Close the junction box.
3. Insert the junction box into the cut hole, leaving the connection cable outside. Connect the fixture to the junction box by inserting the cable and securing it with a cap. Push the spring loaded clips upwards and insert the fixture base in to the mounting hole. Turn and angle the light as you need.



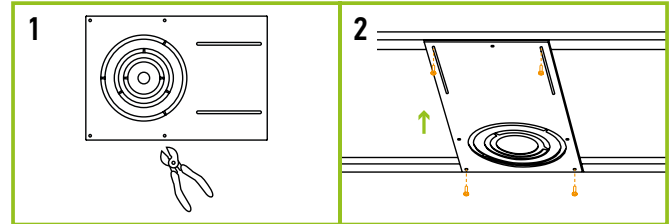
* The fixture is suitable for ceiling thickness of 3/8-1 inch.

MOUNTING PLATE INSTALLATION

ASD-MPLR-346-FA ASD-MPLR18-346-FA ASD-MPLR-346-FS

ASD-MPLR-346-SC **sold separately:**

1. Remove the metal ring from the mounting plate according to the size of fixture.
2. Place the mounting plate and secure its position with screws on the beams.



For most up-to-date spec sheets please refer to asd-lighting.com