



LED EDGE-LIT FLAT PANELS

► **DESIGN & OPTIONS** - LED EDGE-LIT FLAT PANELS come with a unique design and an anti-corrosion aluminum frame with fast heat dissipation. It also features a 0-10V dimmable driver with circuit overload, short circuit, and low-voltage protection, making it both safe and reliable. The non-yellowing PC diffuser provides uniform light distribution with no glare. It comes with 120-277V and in three sizes: 1x4, 2x2 and 2x4. You can choose either a 3,500K, 4,000K or 5,000K color temperature.

► **Models with Power and CCT selectable** option allow you to set it to either 3,000K, 3,500K, 4,000K, or 5,000K and to change the power with a simple switch.

► **INSTALLATION** - This fixture has convenient recessed mounting for drop in installation with standard grid ceilings. It can also be suspended via aircraft cable or wire (not included) to the attached clips. The clips can be folded over the "T" grid, locking the light to the grid. It is ideal for use in earthquake zones requiring seismic securing clips. The low frame for surface mounting is sold separately. Refer to install instructions for detailed steps.

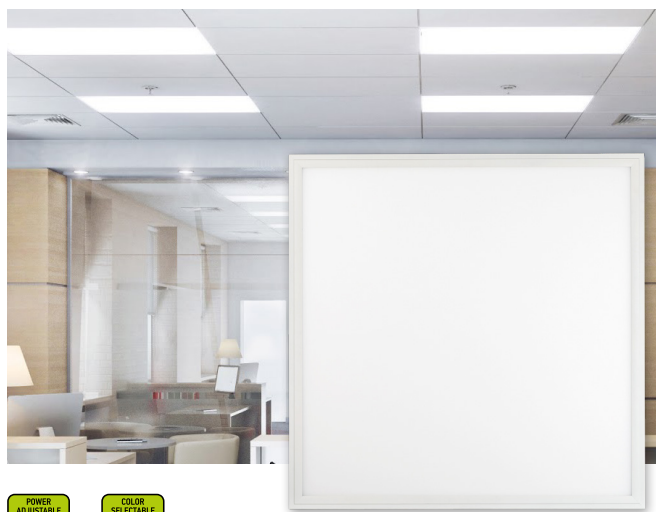
► **APPLICATION** - These fixtures are perfect for commercial, industrial, and residential applications such as: offices, hospitals, schools, retail, and workshops. The fixture is Damp Locations rated and can operate in temperatures between 14 to 104°F (-10 to 40°C).

► **ENERGY SAVINGS & EFFICIENCY** - With a calculated lifespan up to 158,000 hours, these fixtures are made to last decades under normal operation! This fixture can cut your electric bill by up to 80% instantly and will save you a significant amount of money in its lifetime.

► **CERTIFICATION & WARRANTY** - Buy with confidence: ASD provides a 5-year limited warranty along with UL certification to guarantee top quality products and safety!

DLC Standard and DLC Premium classification allow participation in rebates; please check the rebate programs available in your state.

Catalog number	
Notes	
Type	



Model	Type	Watts	Voltage	Dimmable	Lumens	CCT	Dimensions (LxWxH)	Series
ELP01								
ASD-ELP01-22D2240-PRM	2x2	22W	120-277 V	0-10 V	2,948 lm	4,000 K	23-3/4" x 23-3/4" x 1-11/16"	Premium
ASD-ELP01-22D2735-PRM	2x2	27W	120-277 V	0-10 V	3,499 lm	3,500 K	23-3/4" x 23-3/4" x 1-11/16"	Premium
ASD-ELP01-22D2740-PRM	2x2	27W	120-277 V	0-10 V	3,607 lm	4,000 K	23-3/4" x 23-3/4" x 1-11/16"	Premium
ASD-ELP01-22D2750-PRM	2x2	27W	120-277 V	0-10 V	3,742 lm	5,000 K	23-3/4" x 23-3/4" x 1-11/16"	Premium
ASD-ELP01-24D3240-PRM	2x4	32W	120-277 V	0-10 V	4,275 lm	4,000 K	47-3/4" x 23-3/4" x 1-11/16"	Premium
ASD-ELP01-24D4035-PRM	2x4	40W	120-277 V	0-10 V	5,220 lm	3,500 K	47-3/4" x 23-3/4" x 1-11/16"	Premium
ASD-ELP01-24D4040-PRM	2x4	40W	120-277 V	0-10 V	5,384 lm	4,000 K	47-3/4" x 23-3/4" x 1-11/16"	Premium
ASD-ELP01-24D4050-PRM	2x4	40W	120-277 V	0-10 V	5,600 lm	5,000 K	47-3/4" x 23-3/4" x 1-11/16"	Premium
ELP02								
ASD-ELP02-14D2735-STD	1x4	27W	120-277 V	0-10 V	3,065 lm	3,500 K	47-3/4" x 11-7/8" x 1-11/16"	Standard
ASD-ELP02-14D2740-STD	1x4	27W	120-277 V	0-10 V	3,105 lm	4,000 K	47-3/4" x 11-7/8" x 1-11/16"	Standard
ASD-ELP02-14D2750-STD	1x4	27W	120-277 V	0-10 V	3,213 lm	5,000 K	47-3/4" x 11-7/8" x 1-11/16"	Standard
ASD-ELP02-22D2735-STD	2x2	27W	120-277 V	0-10 V	3,065 lm	3,500 K	23-3/4" x 23-3/4" x 1-11/16"	Standard
ASD-ELP02-22D2740-STD	2x2	27W	120-277 V	0-10 V	3,105 lm	4,000 K	23-3/4" x 23-3/4" x 1-11/16"	Standard
ASD-ELP02-22D2750-STD	2x2	27W	120-277 V	0-10 V	3,213 lm	5,000 K	23-3/4" x 23-3/4" x 1-11/16"	Standard
ASD-ELP02-22D4040-STD	2x2	40W	120-277 V	0-10 V	4,600 lm	4,000 K	23-3/4" x 23-3/4" x 1-11/16"	Standard
ASD-ELP02-24D4035-STD	2x4	40W	120-277 V	0-10 V	4,540 lm	3,500 K	47-3/4" x 23-3/4" x 1-11/16"	Standard
ASD-ELP02-24D4040-STD	2x4	40W	120-277 V	0-10 V	4,600 lm	4,000 K	47-3/4" x 23-3/4" x 1-11/16"	Standard
ASD-ELP02-24D4050-STD	2x4	40W	120-277 V	0-10 V	4,760 lm	5,000 K	47-3/4" x 23-3/4" x 1-11/16"	Standard
ASD-ELP02-24D5040-STD	2x4	50W	120-277 V	0-10 V	5,750 lm	4,000 K	47-3/4" x 23-3/4" x 1-11/16"	Standard
ASD-ELP02-24D6040-STD	2x4	60W	120-277 V	0-10 V	6,900 lm	4,000 K	47-3/4" x 23-3/4" x 1-11/16"	Standard
ELP07								
ASD-ELP07-24A50CC-STD	2x4	35/40/45/50W	120-277 V	0-10 V	3,917/4,421/4,887/5,490 lm	4CCT (3,000/3,500/4,000/5,000 K)	47-3/4" x 23-3/4" x 1-11/16"	Standard

For most up-to-date spec sheets please refer to asd-lighting.com



LED EDGE-LIT FLAT PANELS

PRODUCT SPECIFICATIONS:

Construction & Materials						
Housing	Aluminum					
Lens	PC					
Finish	White					
Weight	ASD-ELP01-22D2240-PRM	6 lb (2.7 kg)	ASD-ELP01-24D4050-PRM	12.5 lb (5.7 kg)	ASD-ELP02-22D4040-STD	6.6 lb (3 kg)
	ASD-ELP01-22D2735-PRM		ASD-ELP02-14D2735-STD	6.1 lb (2.8 kg)	ASD-ELP02-24D4035-STD	12.5 lb (5.7 kg)
	ASD-ELP01-22D2740-PRM		ASD-ELP02-14D2740-STD		ASD-ELP02-24D4040-STD	
	ASD-ELP01-22D2750-PRM	ASD-ELP02-14D2750-STD	6 lb (2.7 kg)	ASD-ELP02-24D4050-STD		
	ASD-ELP01-24D3240-PRM	ASD-ELP02-22D2735-STD		ASD-ELP02-24D5040-STD		
	ASD-ELP01-24D4035-PRM	ASD-ELP02-22D2740-STD	ASD-ELP02-24D6040-STD			
	ASD-ELP01-24D4040-PRM	ASD-ELP02-22D2750-STD	ASD-ELP07-24A50CC-STD			
Environmental system						
Work environment	Suitable for Damp Locations, IP40					
Operating temperature	14°F to 104°F (-10°C to 40°C)					
L-70 Life	for ELP01: R > 54,000 hrs; C > 122,000 hrs		for ELP02: R > 36,000 hrs; C > 70,000 hrs		for ELP07: R > 60,000 hrs; C > 158,000 hrs	
Optical system						
Luminous flux	ASD-ELP01-22D2240-PRM	2,948 lm	ASD-ELP01-24D4050-PRM	5,600 lm	ASD-ELP02-22D4040-STD	4,600 lm
	ASD-ELP01-22D2735-PRM	3,499 lm	ASD-ELP02-14D2735-STD	3,065 lm	ASD-ELP02-24D4035-STD	4,540 lm
	ASD-ELP01-22D2740-PRM	3,607 lm	ASD-ELP02-14D2740-STD	3,105 lm	ASD-ELP02-24D4040-STD	4,600 lm
	ASD-ELP01-22D2750-PRM	3,742 lm	ASD-ELP02-14D2750-STD	3,213 lm	ASD-ELP02-24D4050-STD	4,760 lm
	ASD-ELP01-24D3240-PRM	4,275 lm	ASD-ELP02-22D2735-STD	3,065 lm	ASD-ELP02-24D5040-STD	5,750 lm
	ASD-ELP01-24D4035-PRM	5,220 lm	ASD-ELP02-22D2740-STD	3,105 lm	ASD-ELP02-24D6040-STD	6,900 lm
ASD-ELP01-24D4040-PRM	5,384 lm	ASD-ELP02-22D2750-STD	3,213 lm	ASD-ELP07-24A50CC-STD	3,917/4,421/4,887/5,490 lm	
Color temperature	3,500 K; 4,000 K; 5,000 K; 4CCCT (3,000/3,500/4,000/5,000 K)					
CRI	> 80					
Electrical system						
Input voltage	120-277 V					
Max input current	ASD-ELP01-22D2240-PRM	0.4 A	ASD-ELP01-24D4050-PRM	0.6 A	ASD-ELP02-22D4040-STD	0.6 A
	ASD-ELP01-22D2735-PRM		ASD-ELP02-14D2735-STD	0.4 A	ASD-ELP02-24D4035-STD	
	ASD-ELP01-22D2740-PRM		ASD-ELP02-14D2740-STD		ASD-ELP02-24D4040-STD	
	ASD-ELP01-22D2750-PRM	ASD-ELP02-14D2750-STD	0.6 A	ASD-ELP02-24D4050-STD		
	ASD-ELP01-24D3240-PRM	ASD-ELP02-22D2735-STD		ASD-ELP02-24D5040-STD		
	ASD-ELP01-24D4035-PRM	ASD-ELP02-22D2740-STD		ASD-ELP02-24D6040-STD		
ASD-ELP01-24D4040-PRM	ASD-ELP02-22D2750-STD	ASD-ELP07-24A50CC-STD				
Inrush current (Action time)	50 A (0.5 S)		for ASD-ELP02-24D5040-STD and ASD-ELP02-24D6040-STD models: 60 A (0.5 S)			
Off state power	0W					
Power consumption	ASD-ELP01-22D2240-PRM	22W	ASD-ELP01-24D4050-PRM	40W	ASD-ELP02-22D4040-STD	40W
	ASD-ELP01-22D2735-PRM	27W	ASD-ELP02-14D2735-STD	27W	ASD-ELP02-24D4035-STD	
	ASD-ELP01-22D2740-PRM		ASD-ELP02-14D2740-STD		ASD-ELP02-24D4040-STD	
	ASD-ELP01-22D2750-PRM	32W	ASD-ELP02-14D2750-STD	32W	ASD-ELP02-24D4050-STD	
	ASD-ELP01-24D3240-PRM		ASD-ELP02-22D2735-STD		ASD-ELP02-24D5040-STD	
	ASD-ELP01-24D4035-PRM		ASD-ELP02-22D2740-STD		ASD-ELP02-24D6040-STD	
ASD-ELP01-24D4040-PRM	40W	ASD-ELP02-22D2750-STD	40W	ASD-ELP07-24A50CC-STD	35/40/45/50W	
Power factor	> 0.9					
Output voltage	30-40 V		for ASD-ELP01-24D3240-PRM model: 25-42 V		for ELP07: 30-42 V	
Max output current	ASD-ELP01-22D2240-PRM	0.6 A	ASD-ELP01-24D4050-PRM	1.1 A	ASD-ELP02-22D4040-STD	1 A
	ASD-ELP01-22D2735-PRM	0.7 A	ASD-ELP02-14D2735-STD	0.7 A	ASD-ELP02-24D4035-STD	1.1 A
	ASD-ELP01-22D2740-PRM		ASD-ELP02-14D2740-STD		ASD-ELP02-24D4040-STD	
	ASD-ELP01-22D2750-PRM	0.8 A	ASD-ELP02-14D2750-STD	0.8 A	ASD-ELP02-24D4050-STD	
	ASD-ELP01-24D3240-PRM		ASD-ELP02-22D2735-STD		ASD-ELP02-24D5040-STD	
	ASD-ELP01-24D4035-PRM	1.1 A	ASD-ELP02-22D2740-STD	1.1 A	ASD-ELP02-24D6040-STD	
ASD-ELP01-24D4040-PRM	ASD-ELP02-22D2750-STD		ASD-ELP07-24A50CC-STD		1.25 A	
Surge protection DM/CM	1 kV / 2 kV					
Dimming compatible controls						
Brand	Maxxima	Eaton	Keygma	Leviton	Lutron	
Models	MEW-DM600LV	DF10P-C1	KGM-1A010V	IP710-DLZ	DVSTV-WH	
Regular and voluntary certifications						
5-year limited warranty						
DesignLights Consortium (DLC) listed (Classification: Standard & Premium)						
Main: Indoor luminaires; General application: Troffer;						
Primary use: Luminaires for ambient lighting of interior commercial spaces						
UL certified E473854						

PACKAGE CONTENTS:

Description	Q-ty
LED Edge-Lit Flat Panels	2
Box	1

For most up-to-date spec sheets please refer to asd-lighting.com

ASD LIGHTING CORP


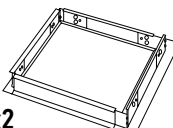


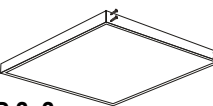

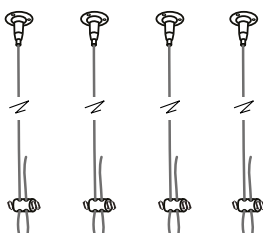
E-mail: orders@asd-lighting.com | Web site: www.asd-lighting.com





LED EDGE-LIT FLAT PANELS

ACCESSORIES (sold separately):

<p>Sheetrock mounting frame</p>  <p>for ELP 1x4 ASD-FDW-ELP14</p>  <p>for ELP 2x2 ASD-FDW-ELP22</p>  <p>for ELP 2x4 ASD-FDW-ELP24</p>	<p>Surface mounting low frame</p>  <p>for ELP 1x4 ASD-FELP14-L</p>  <p>for ELP 2x2 ASD-FELP22-L</p>  <p>for ELP 2x4 ASD-FELP24-L</p>
<p>Ceiling hanging set</p> <p>39.37" ASD-CHS4</p> <p>72.83" ASD-CHS6</p> 	

ACCESSORY COMPATIBILITY LIST:

Accessories	Sheetrock mounting frame for 1x4 panels ASD-FDW-ELP14	Sheetrock mounting frame for 2x2 panels ASD-FDW-ELP22	Sheetrock mounting frame for 2x4 panels ASD-FDW-ELP24	Surface mounting low frame for 1x4 panels ASD-FELP14-L	Surface mounting low frame for 2x2 panels ASD-FELP22-L	Surface mounting low frame for 2x4 panels ASD-FELP24-L	39.37" Ceiling hanging set ASD-CHS4	72.83" Ceiling hanging set ASD-CHS6
ASD-ELP01-22D2240-PRM		•			•		•	•
ASD-ELP01-22D2735-PRM		•			•		•	•
ASD-ELP01-22D2740-PRM		•			•		•	•
ASD-ELP01-22D2750-PRM		•			•		•	•
ASD-ELP01-24D3240-PRM			•			•	•	•
ASD-ELP01-24D4035-PRM			•			•	•	•
ASD-ELP01-24D4040-PRM			•			•	•	•
ASD-ELP01-24D4050-PRM			•			•	•	•
ASD-ELP02-14D2735-STD	•				•		•	•
ASD-ELP02-14D2740-STD	•				•		•	•
ASD-ELP02-14D2750-STD	•				•		•	•
ASD-ELP02-22D2735-STD		•			•		•	•
ASD-ELP02-22D2740-STD		•			•		•	•
ASD-ELP02-22D2750-STD		•			•		•	•
ASD-ELP02-22D4040-STD		•			•		•	•
ASD-ELP02-24D4035-STD			•			•	•	•
ASD-ELP02-24D4040-STD			•			•	•	•
ASD-ELP02-24D4050-STD			•			•	•	•
ASD-ELP02-24D5040-STD			•			•	•	•
ASD-ELP02-24D6040-STD			•			•	•	•
ASD-ELP07-24A50CC-STD			•			•	•	•

INSTALLATION GUIDE

IMPORTANT SAFETY INFORMATION:

Please read all the instructions below before installation.

- ▶ Make sure that the supply voltage corresponds to the rated product voltage.
- ▶ The product must be installed by a qualified electrician in accordance with the National Electrical Code and corresponding local codes.
- ▶ If the product is damaged, do not use it.

WARNING

RISK OF PERSONAL INJURY – READ and follow all WARNINGS and installation instructions. Keep or give to the owner for future reference.

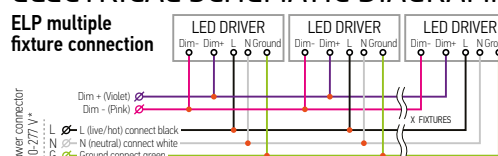
Risk of cuts: Wear gloves to prevent cuts or abrasions when removing from carton, handling, installing, and maintaining this product.

Risk of electric shock: This product must be installed in accordance with the applicable installation code by a person familiar with the construction and operation of the product and the hazards involved.

Risk of Fire: Minimum 194°F supply conductors. Consult a qualified electrician to ensure correct branch circuit conductor.

ASD® assumes no responsibility for claims arising out of improper or careless installation or handling of this product.

ELECTRICAL SCHEMATIC DIAGRAM:

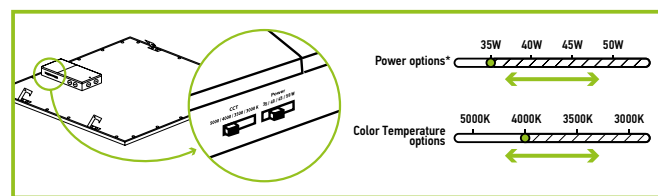


Linking limits: up to 20 panels can be linked together. Total power of LED Panels shall not exceed the wattage of dimmer.

* The regular voltage 120-277 V fixtures can be alternatively powered without neutral by two-phase circuit with phase-to-phase voltage of 208 V (L1-120 V & L2-120 V).

WARNING: Phase-to-phase voltage should be less than 277 V (160 V per each phase) and more than 120 V (70 V per each phase). Do not confuse Regular Voltage fixtures of 120-277 V with High Voltage ones of 277-480 V!

POWER AND COLOR TEMPERATURE SETTINGS:



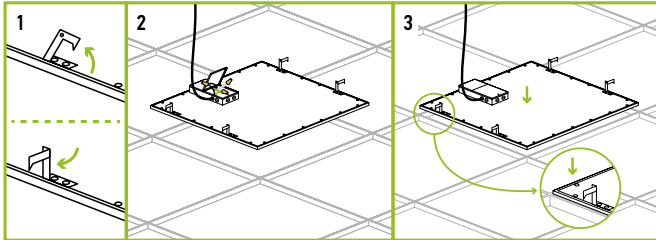
For most up-to-date spec sheets please refer to asd-lighting.com



LED EDGE-LIT FLAT PANELS

RECESSED MOUNT:

1. Lift all mounting clips along the edges of the panel. Turn the mounting clip head.
2. Connect the wires into the junction box of the panel matching colors N, L and G using nuts.
3. Adjust into place. Ensure the clips are fastened to the ceiling's T-BAR/T-GRID.



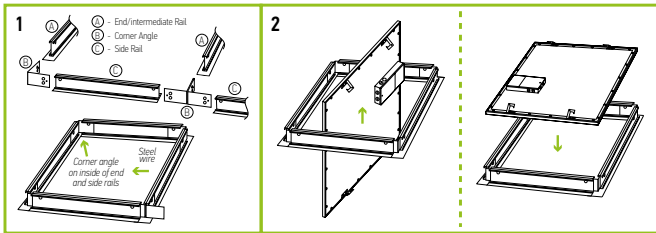
RECESSED SHEETROCK MOUNT

ASD-FDW-ELP14 ASD-FDW-ELP22 ASD-FDW-ELP24

sold separately:

1. Following the picture below, slide part B into the inboard side of parts C and A as shown.
2. Place assembled frame into the ceiling opening and add steel wires for support as pictured below. After wiring fixture, carefully slide it through ceiling opening, rotate and drop fixture into place.

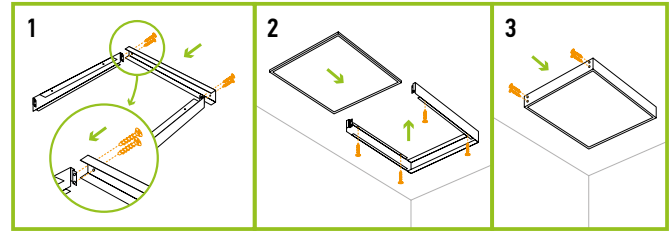
Note: For best results, attach supporting steel wires going into the ceiling to sides of frame after assembly. End rail can be used as intermediate rail for tandem row



SURFACE MOUNT ASD-FELP14-L

ASD-FELP22-L ASD-FELP24-L sold separately:

1. Connect 3 pieces of the frame to the ceiling using four screws.
2. Connect the panel wires as shown in electrical schematic diagram and insert panel into frame.
3. Attach the fourth piece and secure with screws. Power on to ensure installation is complete.

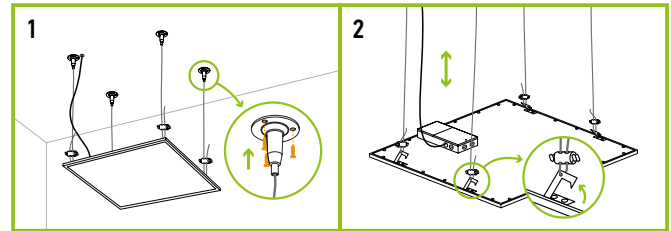


* Must remove earthquake hook before installing surface mount frame.

SUSPENDED MOUNT ASD-CHS4 ASD-CHS6

sold separately:

1. Insert the wall plugs (not included) into the ceiling and secure the suspension surface fixing to the ceiling.
2. Lock the suspension cable to the clip. Adjust the cable length to meet the height requirements. Attach the cable to the ceiling.



* For 1x4 and 2x4 installation please use 2 pcs of Ceiling Hanging set.



LED EDGE-LIT FLAT PANELS

ORDERING INFORMATION

Model	UPC	Pcs. per carton	Carton size	Carton weight	GTIN 14
ELP01					
ASD-ELP01-22D2240-PRM	819201020140	2	24.6" x 24.6" x 2.8"	14.1 lb	10819201020147
ASD-ELP01-22D2735-PRM	819201021192	2	24.6" x 24.6" x 2.8"	14.1 lb	10819201021199
ASD-ELP01-22D2740-PRM	819201021208	2	24.6" x 24.6" x 2.8"	14.1 lb	10819201021205
ASD-ELP01-22D2750-PRM	819201021215	2	24.6" x 24.6" x 2.8"	14.1 lb	10819201021212
ASD-ELP01-24D3240-PRM	819201023592	2	48.6" x 24.6" x 2.8"	28.7 lb	10819201023599
ASD-ELP01-24D4035-PRM	819201021222	2	48.6" x 24.6" x 2.8"	28.7 lb	10819201021229
ASD-ELP01-24D4040-PRM	819201021239	2	48.6" x 24.6" x 2.8"	28.7 lb	10819201021236
ASD-ELP01-24D4050-PRM	819201021246	2	48.6" x 24.6" x 2.8"	28.7 lb	10819201021243
ELP02					
ASD-ELP02-14D2735-STD	819201021543	2	48.6" x 13.2" x 2.8"	14.3 lb	10819201021540
ASD-ELP02-14D2740-STD	819201021550	2	48.6" x 13.2" x 2.8"	14.3 lb	10819201021557
ASD-ELP02-14D2750-STD	819201021567	2	48.6" x 13.2" x 2.8"	14.3 lb	10819201021564
ASD-ELP02-22D2735-STD	819201020164	2	24.6" x 24.6" x 2.8"	14.1 lb	20819201020168
ASD-ELP02-22D2740-STD	819201020171	2	24.6" x 24.6" x 2.8"	14.1 lb	20819201020175
ASD-ELP02-22D2750-STD	819201020188	2	24.6" x 24.6" x 2.8"	14.1 lb	20819201020182
ASD-ELP02-22D4040-STD	819201027484	2	24.6" x 24.6" x 2.8"	14.1 lb	10819201027481
ASD-ELP02-24D4035-STD	819201020195	2	48.6" x 24.6" x 2.8"	28.7 lb	10819201020192
ASD-ELP02-24D4040-STD	819201020201	2	48.6" x 24.6" x 2.8"	28.7 lb	10819201020208
ASD-ELP02-24D4050-STD	819201020218	2	48.6" x 24.6" x 2.8"	28.7 lb	10819201020215
ASD-ELP02-24D5040-STD	819201023950	2	48.6" x 24.6" x 2.8"	28.7 lb	10819201023957
ASD-ELP02-24D6040-STD	819201023967	2	48.6" x 24.6" x 2.8"	28.7 lb	10819201023964
ELP07					
ASD-ELP07-24A50CC-STD	819201026784	2	48.6" x 24.6" x 2.8"	28.7 lb	10819201026781

ACCESSORIES:

Model	Name	UPC	Pcs. per carton	Carton size	Carton weight	GTIN 14
ASD-FDW-ELP14	Sheetrock mounting frame for 1x4 panels	857622006220	20	48.8" x 10.2" x 8.3"	31.5 lb	10857622006237
ASD-FDW-ELP22	Sheetrock mounting frame for 2x2 panels	855029006393	20	26.8" x 10.4" x 7.9"	25.1 lb	10855029006390
ASD-FDW-ELP24	Sheetrock mounting frame for 2x4 panels	857622006107	20	48.6" x 10.4" x 7.9"	48.9 lb	10857622006104
ASD-FELP14-L	Surface mounting low frame for 1x4 panels	819201021574	9	48.8" x 5.9" x 7.7"	23.4 lb	10819201021571
ASD-FELP22-L	Surface mounting low frame for 2x2 panels	819201021581	9	25.2" x 6.5" x 7.7"	28.8 lb	10819201021588
ASD-FELP24-L	Surface mounting low frame for 2x4 panels	819201021598	9	48.8" x 5.9" x 7.7"	45.2 lb	10819201021595
ASD-CHS4	39.37" Ceiling hanging set	859961005148	50	10.4" x 10.4" x 7.7"	23.7 lb	10859961005145
ASD-CHS6	72.83" Ceiling hanging set	855029006522	50	8.9" x 8.9" x 8.9"	24.9 lb	10855029006529

For most up-to-date spec sheets please refer to asd-lighting.com

ASD LIGHTING CORP

E-mail: orders@asd-lighting.com | Web site: www.asd-lighting.com

