



LED SQUARE RECESSED MINI PANEL

► **DESIGN** - LED SQUARE RECESSED MINI PANEL with a classic, low-profile design is an ideal solution for low ceilings. This fixture has a J-box, plug & twist connector, spring-loaded clips, and requires only 2" of ceiling space, making the installation process quick and easy. The acrylic lens with a 110° beam angle and CRI90+ grants you even light. It is designed to operate on 120V circuits.

► **COLOR SELECTABLE** - You can choose either a 2700K soft white, 3000K warm white, 3500K neutral white, 4000K cool white, or 5000K daylight color temperature.

► **DIMMING** - Smooth triac dimming capabilities ranging from 10% to 100% with modern LED dimmers allow you to control the look and feel of your space.

► **INSTALLATION** - This fixture is IC rated so there is no can or any other housing required. It is also Wet Locations rated, making it perfect for kitchen, bathroom or any other common areas.

► **ADVANTAGES** - With a lifespan of 54,000 hours, these fixtures are made to last decades under normal operation! ASD provides a 5-year limited warranty along with UL certification to guarantee top quality products and safety!



PRODUCT PRESENTATION:

Model	Size	Power	Voltage	Dimming	Lumens	CCT	Finish	Dimensions	Certification
JBS SQUARE									
ASD-JBS-3D6AC-WH-6PACK	3 inch	6W	120V	TRIAC	456lm	5CCT (2700/3000/3500/4000/5000K)	White	3 1/4" x 3 1/4" x 9/16"	UL(E473854)
ASD-JBS-3D6AC-NK-6PACK	3 inch	6W	120V	TRIAC	456lm	5CCT (2700/3000/3500/4000/5000K)	Nickel	3 1/4" x 3 1/4" x 9/16"	UL(E473854)
ASD-JBS-3D6AC-BZ-6PACK	3 inch	6W	120V	TRIAC	456lm	5CCT (2700/3000/3500/4000/5000K)	Bronze	3 1/4" x 3 1/4" x 9/16"	UL(E473854)
ASD-JBS-3D6AC-BK-6PACK	3 inch	6W	120V	TRIAC	456lm	5CCT (2700/3000/3500/4000/5000K)	Black	3 1/4" x 3 1/4" x 9/16"	UL(E473854)
ASD-JBS-4D12AC-WH-6PACK	4 inch	12W	120V	TRIAC	784lm	5CCT (2700/3000/3500/4000/5000K)	White	4 5/8" x 4 5/8" x 9/16"	UL(E473854)
ASD-JBS-4D12AC-NK-6PACK	4 inch	12W	120V	TRIAC	784lm	5CCT (2700/3000/3500/4000/5000K)	Nickel	4 5/8" x 4 5/8" x 9/16"	UL(E473854)
ASD-JBS-4D12AC-BZ-6PACK	4 inch	12W	120V	TRIAC	784lm	5CCT (2700/3000/3500/4000/5000K)	Bronze	4 5/8" x 4 5/8" x 9/16"	UL(E473854)
ASD-JBS-4D12AC-BK-6PACK	4 inch	12W	120V	TRIAC	784lm	5CCT (2700/3000/3500/4000/5000K)	Black	4 5/8" x 4 5/8" x 9/16"	UL(E473854)
ASD-JBS-6D15AC-WH-6PACK	6 inch	15W	120V	TRIAC	1197lm	5CCT (2700/3000/3500/4000/5000K)	White	6 9/16" x 6 9/16" x 9/16"	UL(E473854)
ASD-JBS-6D15AC-NK-6PACK	6 inch	15W	120V	TRIAC	1197lm	5CCT (2700/3000/3500/4000/5000K)	Nickel	6 9/16" x 6 9/16" x 9/16"	UL(E473854)
ASD-JBS-6D15AC-BZ-6PACK	6 inch	15W	120V	TRIAC	1197lm	5CCT (2700/3000/3500/4000/5000K)	Bronze	6 9/16" x 6 9/16" x 9/16"	UL(E473854)
ASD-JBS-6D15AC-BK-6PACK	6 inch	15W	120V	TRIAC	1197lm	5CCT (2700/3000/3500/4000/5000K)	Black	6 9/16" x 6 9/16" x 9/16"	UL(E473854)
ASD-JBS-8D20AC-WH	8 inch	20W	120V	TRIAC	1743lm	5CCT (2700/3000/3500/4000/5000K)	White	8 11/16" x 8 11/16" x 9/16"	UL(E473854)
ASD-JBS-8D20AC-BK	8 inch	20W	120V	TRIAC	1743lm	5CCT (2700/3000/3500/4000/5000K)	Black	8 11/16" x 8 11/16" x 9/16"	UL(E473854)
ASD-JBS-12D24AC-WH	12 inch	24W	120V	TRIAC	2152lm	5CCT (2700/3000/3500/4000/5000K)	White	11 9/16" x 11 9/16" x 9/16"	UL(E473854)
ASD-JBS-12D24AC-BK	12 inch	24W	120V	TRIAC	2152lm	5CCT (2700/3000/3500/4000/5000K)	Black	11 9/16" x 11 9/16" x 9/16"	UL(E473854)
JBSR SQUARE WITH ROUND BACK									
ASD-JBSR-4D12AC-WH	4 inch	12W	120V	TRIAC	872lm	5CCT (2700/3000/3500/4000/5000K)	White	5 1/8" x 5 1/8" x 1"	UL(E473854)
ASD-JBSR-6D15AC-WH	6 inch	15W	120V	TRIAC	1266lm	5CCT (2700/3000/3500/4000/5000K)	White	7 3/16" x 7 3/16" x 1"	UL(E473854)

For most up-to-date spec sheets please refer to asd-lighting.com



LED SQUARE RECESSED MINI PANEL

TECHNICAL PARAMETERS:

Model	Work environment	Operating temperature	Power factor	Surge protection	Housing	Lens	CRI
JBS SQUARE							
ASD-JBS-3D6AC-WH-6PACK	Wet location	-4°F to 104°F (-20°C to 40°C)	>0,9	2kV	Aluminum	PC	>90
ASD-JBS-3D6AC-NK-6PACK	Wet location	-4°F to 104°F (-20°C to 40°C)	>0,9	2kV	Aluminum	PC	>90
ASD-JBS-3D6AC-BZ-6PACK	Wet location	-4°F to 104°F (-20°C to 40°C)	>0,9	2kV	Aluminum	PC	>90
ASD-JBS-3D6AC-BK-6PACK	Wet location	-4°F to 104°F (-20°C to 40°C)	>0,9	2kV	Aluminum	PC	>90
ASD-JBS-4D12AC-WH-6PACK	Wet location	-4°F to 104°F (-20°C to 40°C)	>0,9	2kV	Aluminum	PC	>90
ASD-JBS-4D12AC-NK-6PACK	Wet location	-4°F to 104°F (-20°C to 40°C)	>0,9	2kV	Aluminum	PC	>90
ASD-JBS-4D12AC-BZ-6PACK	Wet location	-4°F to 104°F (-20°C to 40°C)	>0,9	2kV	Aluminum	PC	>90
ASD-JBS-4D12AC-BK-6PACK	Wet location	-4°F to 104°F (-20°C to 40°C)	>0,9	2kV	Aluminum	PC	>90
ASD-JBS-6D15AC-WH-6PACK	Wet location	-4°F to 104°F (-20°C to 40°C)	>0,9	2kV	Aluminum	PC	>90
ASD-JBS-6D15AC-NK-6PACK	Wet location	-4°F to 104°F (-20°C to 40°C)	>0,9	2kV	Aluminum	PC	>90
ASD-JBS-6D15AC-BZ-6PACK	Wet location	-4°F to 104°F (-20°C to 40°C)	>0,9	2kV	Aluminum	PC	>90
ASD-JBS-6D15AC-BK-6PACK	Wet location	-4°F to 104°F (-20°C to 40°C)	>0,9	2kV	Aluminum	PC	>90
ASD-JBS-8D20AC-WH	Wet location	-4°F to 104°F (-20°C to 40°C)	>0,9	2kV	Aluminum	PC	>90
ASD-JBS-8D20AC-BK	Wet location	-4°F to 104°F (-20°C to 40°C)	>0,9	2kV	Aluminum	PC	>90
ASD-JBS-12D24AC-WH	Wet location	-4°F to 104°F (-20°C to 40°C)	>0,9	2kV	Aluminum	PC	>90
ASD-JBS-12D24AC-BK	Wet location	-4°F to 104°F (-20°C to 40°C)	>0,9	2kV	Aluminum	PC	>90
JBSR SQUARE WITH ROUND BACK							
ASD-JBSR-4D12AC-WH	Wet location	-4°F to 104°F (-20°C to 40°C)	>0,9	2kV	Aluminum	PC	>90
ASD-JBSR-6D15AC-WH	Wet location	-4°F to 104°F (-20°C to 40°C)	>0,9	2kV	Aluminum	PC	>90

DIMMING COMPATIBLE CONTROLS:

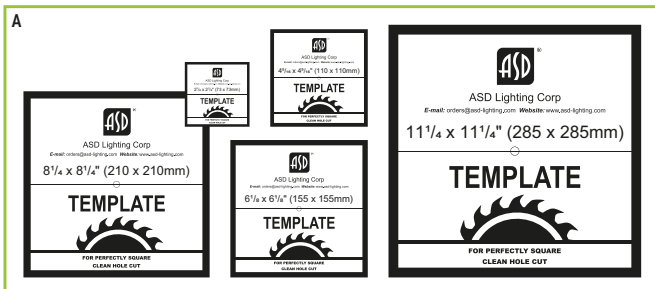
Brand	Lutron		Leviton
Models	CTCL-153PDH-WH	S-600PR-WH	DB3K1
	DWW-603PGH-WH	CTCL-153P	1A2305
	MIR-600THW-WH	DV-600P	1F4205
	MACL-153M-WH	NT-1000	6633-P
	CT-603PGH-WH	S-603P	VP106
	DVCL-153P-WH	S-600P	IPL06
	SLV-600P-WH	4X603	6683
			6674
			6672

DIMENSIONS JUNCTION BOX:

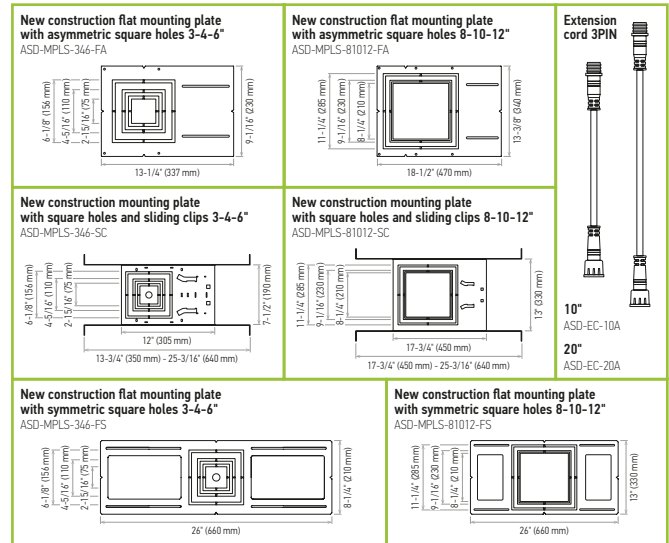
Fixture	Junction box
3 inch	3-3/4" x 2-5/16" x 1-1/4" (95mm x 59mm x 32mm)
4, 6, 8, 12 inch	4-8/16" x 2-11/16" x 1-3/8" (115mm x 68mm x 35mm)

PACKAGE CONTENTS:

Description	Quantity
LED Square Recessed Mini Panel	1 (6 for 6PACK)
Template for 3, 4, 6, 8 or 12 inch (A)	1
Box	1



ACCESSORIES (sold separately):



ACCESSORY COMPATIBILITY LIST:

Accessories	Model	New construction flat mounting plate with asymmetric square holes 3-4-6" ASD-MPLS-346-FA	New construction flat mounting plate with asymmetric square holes 8-10-12" ASD-MPLS-81012-FA	New construction flat mounting plate with symmetric square holes 3-4-6" ASD-MPLS-346-FS	New construction flat mounting plate with symmetric square holes 8-10-12" ASD-MPLS-81012-FS	New construction mounting plate with square holes and sliding clips 3-4-6" ASD-MPLS-346-SC	New construction mounting plate with square holes and sliding clips 8-10-12" ASD-MPLS-81012-SC	Extension cord 3PIN ASD-EC-10A/ASD-EC-20A
ASD-JBS	3"	•						•
	4"	•						•
	6"	•						•
	8"							•
ASD-JBSR	12"		•					•
	4"							•
	6"							•
	6"							•

For most up-to-date spec sheets please refer to asd-lighting.com



LED SQUARE RECESSED MINI PANEL

INSTALLATION GUIDE

IMPORTANT SAFETY INFORMATION:

Please read all the instructions below before installation!

- ▶ Make sure that the supply voltage corresponds to the rated product voltage.
- ▶ The product must be installed by a qualified electrician in accordance with the National Electrical Code and corresponding local codes.
- ▶ If the product is damaged, do not use it.

⚠ WARNING

Risk of personal injury – read and follow all warnings and installation instructions. Keep or give to the owner for future reference.

Risk of cuts: Wear gloves to prevent cuts or abrasions when removing from carton, handling, installing, and maintaining this product.

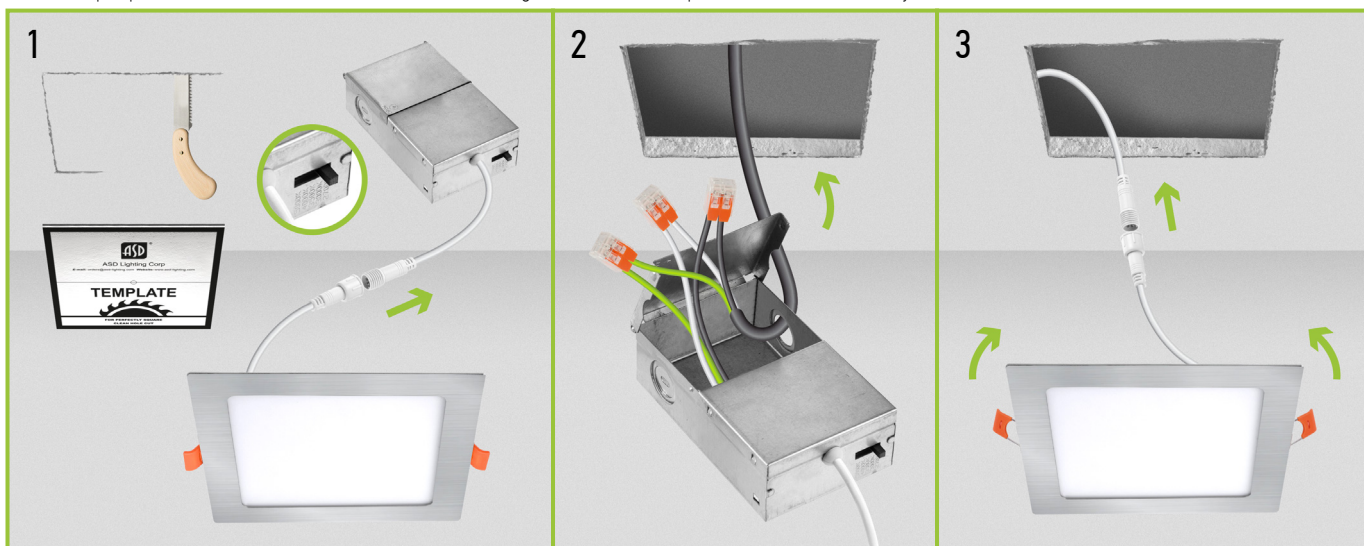
Risk of electric shock: This product must be installed in accordance with the applicable installation code by a person familiar with the construction and operation of the product and the hazards involved.

Risk of Fire: Minimum 194°F supply conductors. Consult a qualified electrician to ensure correct branch circuit conductor.

ASD® assumes no responsibility for claims arising out of improper or careless installation or handling of this product.

INSTALLATION STEPS:

1. Use template to cut an appropriate sized hole. Disconnect the fixture from the junction box. Choose needed color temperature by adjusting the switch. Close the junction box.
2. Open junction box. Connect the wires: Black to Black, White to White, Copper to Green. Secure the connection with quick connector.
3. Insert the junction box into the cut hole, leaving the connection cable outside. Connect the fixture to the Junction box inserting the cable and securing it with a cap. Push the spring loaded clips upwards and insert the fixture base into the mounting hole. Release the clips, so the fixture fits securely.



* The fixture is suitable for ceiling thickness less than 0.5 inch.

EXTENSION CORD INSTALLATION:

ASD-EC-10A **ASD-EC-20A** sold separately

1. Disconnect the LED Mini Panel cable from the Junction box cable.
2. Connect one end of the Extension Cord to the LED Mini Panel cable, and the other end of the Extension Cord to the Junction box cable.



For most up-to-date spec sheets please refer to asd-lighting.com





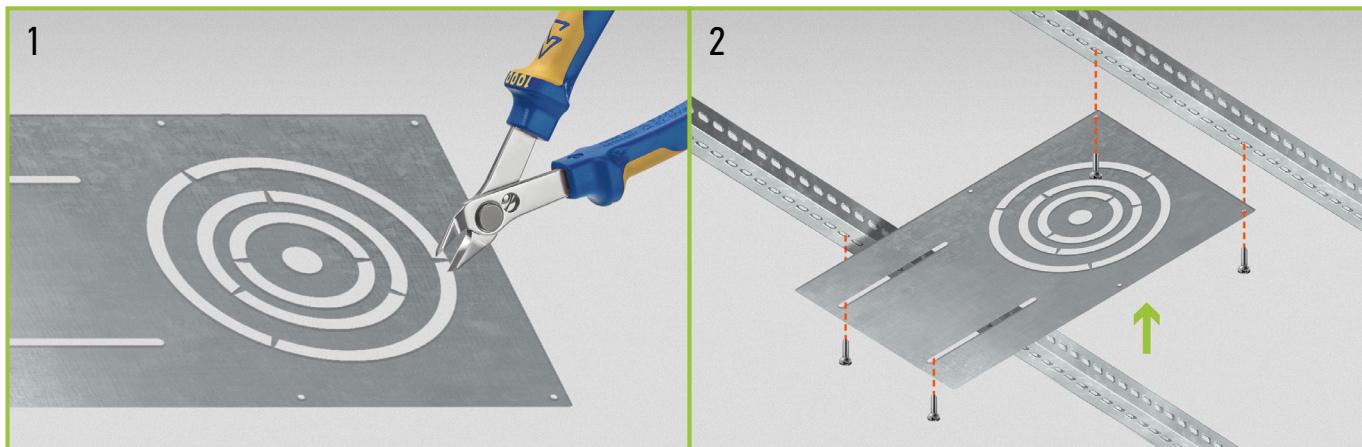
LED SQUARE RECESSED MINI PANEL

MOUNTING PLATE INSTALLATION:

ASD-MPLS-346-FA ASD-MPLS-81012-FA ASD-MPLS-346-FS ASD-MPLS-81012-FS ASD-MPLS-346-SC ASD-MPLS-81012-SC

sold separately

1. Remove the metal ring from the mounting plate according to the size of fixture.
2. Place the mounting plate and secure its position with screws on the beams.



ORDERING INFORMATION

Model	Product dimensions	Weight	Pcs. (pack) per carton	Carton size	Carton weight	UPC	GTIN 14
JBS SQUARE							
ASD-JBS-3D6AC-WH-6PACK	3 1/4" x 3 1/4" x 9/16"	2.6 lbs (1.2 kg)	12 (2)	17.13" x 10.04" x 4.53"	6.6 lbs	81005073752	10810050737521
ASD-JBS-3D6AC-NK-6PACK	3 1/4" x 3 1/4" x 9/16"	2.6 lbs (1.2 kg)	12 (2)	17.13" x 10.04" x 4.53"	6.6 lbs	81005073841	20810050738419
ASD-JBS-3D6AC-BZ-6PACK	3 1/4" x 3 1/4" x 9/16"	2.6 lbs (1.2 kg)	12 (2)	17.13" x 10.04" x 4.53"	6.6 lbs	81920102246	20819201022469
ASD-JBS-3D6AC-BK-6PACK	3 1/4" x 3 1/4" x 9/16"	2.6 lbs (1.2 kg)	12 (2)	17.13" x 10.04" x 4.53"	6.6 lbs	81005073754	10810050737545
ASD-JBS-4D12AC-WH-6PACK	4 5/8" x 4 5/8" x 9/16"	3.7 lbs (1.7 kg)	12 (2)	12.60" x 12.60" x 6.30"	9.3 lbs	81005073728	10810050737286
ASD-JBS-4D12AC-NK-6PACK	4 5/8" x 4 5/8" x 9/16"	3.7 lbs (1.7 kg)	12 (2)	12.60" x 12.60" x 6.30"	9.3 lbs	81005073842	20810050738426
ASD-JBS-4D12AC-BZ-6PACK	4 5/8" x 4 5/8" x 9/16"	3.7 lbs (1.7 kg)	12 (2)	12.60" x 12.60" x 6.30"	9.3 lbs	81005073892	10810050738924
ASD-JBS-4D12AC-BK-6PACK	4 5/8" x 4 5/8" x 9/16"	3.7 lbs (1.7 kg)	12 (2)	12.60" x 12.60" x 6.30"	9.3 lbs	81005073730	10810050737309
ASD-JBS-6D15AC-WH-6PACK	6 9/16" x 6 9/16" x 9/16"	5.0 lbs (2.3 kg)	12 (2)	13.98" x 12.40" x 7.99"	12.1 lbs	81005073732	10810050737323
ASD-JBS-6D15AC-NK-6PACK	6 9/16" x 6 9/16" x 9/16"	5.0 lbs (2.3 kg)	12 (2)	13.98" x 12.40" x 7.99"	12.1 lbs	81005073843	20810050738433
ASD-JBS-6D15AC-BZ-6PACK	6 9/16" x 6 9/16" x 9/16"	5.0 lbs (2.3 kg)	12 (2)	13.98" x 12.40" x 7.99"	12.1 lbs	81005073893	10810050738931
ASD-JBS-6D15AC-BK-6PACK	6 9/16" x 6 9/16" x 9/16"	5.0 lbs (2.3 kg)	12 (2)	13.98" x 12.40" x 7.99"	12.1 lbs	81005073756	10810050737569
ASD-JBS-8D20AC-WH	8 11/16" x 8 11/16" x 9/16"	1.1 lbs (0.5 kg)	4	10.43" x 9.65" x 9.45"	6.6 lbs	81005073757	10810050737576
ASD-JBS-8D20AC-BK	8 11/16" x 8 11/16" x 9/16"	1.1 lbs (0.5 kg)	4	10.43" x 9.65" x 9.45"	6.6 lbs	81005073758	10810050737583
ASD-JBS-12D24AC-WH	11 9/16" x 11 9/16" x 9/16"	1.8 lbs (0.8 kg)	4	13.39" x 9.65" x 12.32"	9.5 lbs	81005073759	10810050737590
ASD-JBS-12D24AC-BK	11 9/16" x 11 9/16" x 9/16"	1.8 lbs (0.8 kg)	4	13.39" x 9.65" x 12.32"	9.5 lbs	81005073760	10810050737606
JBSR SQUARE WITH ROUND BACK							
ASD-JBSR-4D12AC-WH	5 1/8" x 5 1/8" x 1"	0.7 lbs (0.3 kg)	6	12.40" x 10.63" x 5.91"	5.5 lbs	81012811805	10810128118054
ASD-JBSR-6D15AC-WH	7 3/16" x 7 3/16" x 1"	0.9 lbs (0.4 kg)	6	16.34" x 10.43" x 8.07"	7.3 lbs	81012811806	10810128118061

ACCESSORIES:

Model	Product dimensions	Pcs. (pack) per carton	Carton size	Carton weight	UPC	GTIN 14
ASD-MPLS-346-FA-6PACK	13 1/4" x 9 1/16" x 1/16"	24 (4)	14.4" x 9.8" x 3.2"	17.7 lbs	810128110303	10810128110300
ASD-MPLS-81012-FA-6PACK	18 1/2" x 13 3/8" x 1/16"	24 (4)	19.5" x 14.2" x 3.2"	36.3 lbs	810128112833	10810128112830
ASD-MPLS-346-FS-6PACK	26" x 8 1/4" x 1/16"	24 (4)	27" x 9.1" x 3.2"	20.7 lbs	810128110310	10810128110317
ASD-MPLS-81012-FS-6PACK	26" x 13" x 1/16"	24 (4)	27" x 13.8" x 3.2"	40.7 lbs	810128112840	10810128112847
ASD-MPLS-346-SC-6PACK	14 3/8" x 10 9/16" x 1 5/8"	12 (2)	17.3" x 11.9" x 13.4"	16.5 lbs	810128110327	10810128110324
ASD-MPLS-81012-SC-6PACK	17 11/16" x 13" x 1 9/16"	12 (2)	21.3" x 17.5" x 15.6"	24 lbs	810128118040	10810128118047
ASD-EC-10A-6PACK	-	60 (10)	7.7" x 6.1" x 5.3"	1.8 lbs	810128110471	10810128110478
ASD-EC-20A-6PACK	-	60 (10)	7.7" x 6.1" x 5.3"	3.1 lbs	810128110488	10810128110485

For most up-to-date spec sheets please refer to asd-lighting.com

ASD LIGHTING CORP

E-mail: orders@asd-lighting.com | Web site: www.asd-lighting.com

