



LED SPORT LIGHT

► **DESIGN** - LED SPORT LIGHT has a die-cast aluminum housing with numerous vents on the heat sink for excellent heat dissipation. Advanced optics designed with unique multi-scale lenses provides uniform light distribution, glare-reduction maximizes the light output. CRI80+ rating provides rich and natural colors. It is designed to operate on 120-277V or 200-480V circuits with a 0-10V dimmable driver (1-10V for 500W model).

► Surge protection 10kV protects the fixture from voltage spikes and current surges.

► 3G vibration rated, withstands conditions with repeated vibration, making it conform to standards for roadway.

► **INSTALLATION** - This fixture is Wet Locations rated and has two mounting options with a standard floodlight bracket or a slip fitter. It comes with 6.5 ft cord. Perfect commercial or industrial solution for any outdoor sports lighting, parking lot lighting, dock lighting, high mast flood lighting, stadium lighting, and many other applications.

► **ADVANTAGES** - With calculated lifespan up to 133,000 hours, these fixtures are made to last decades under normal operation! ASD provides a 7-year limited warranty along with UL and DLC Premium certifications to guarantee top quality products and safety!

Catalog number	
Notes	
Type	



Model	Watts	Voltage	Dimmable	Lumens	CCT	Finish	Dimensions (LxWxH)	Beam angle	Cord
ASD-SPFL5-300D50	300W	120-277 V	0-10 V	45,009 lm	5,000 K	Black/Red	15-11/16" x 14-1/2" x 14-1/2"	45°	6.5 ft
ASD-SPFL5-500D50	500W	120-277 V	1-10 V	74,009 lm	5,000 K	Black/Red	15-11/16" x 14-1/2" x 14-1/2"	45°	6.5 ft
ASD-SPFL5-750D50	750W	120-277 V	0-10 V	113,489 lm	5,000 K	Black/Red	19-11/16" x 18-11/16" x 18-11/16"	40°	6.5 ft
ASD-SPFL5-1000D50	1000W	120-277 V	0-10 V	156,456 lm	5,000 K	Black/Red	19-11/16" x 18-11/16" x 18-11/16"	40°	6.5 ft
SPFL5-HV HIGH VOLTAGE									
ASD-SPFL5-HV-500D50	500W	200-480 V	0-10 V	74,009 lm	5,000 K	Black/Red	15-11/16" x 14-1/2" x 14-1/2"	45°	6.5 ft
ASD-SPFL5-HV-750D50	750W	200-480 V	0-10 V	109,731 lm	5,000 K	Black/Red	19-11/16" x 18-11/16" x 18-11/16"	40°	6.5 ft
ASD-SPFL5-HV-1000D50	1000W	200-480 V	0-10 V	150,198 lm	5,000 K	Black/Red	19-11/16" x 18-11/16" x 18-11/16"	40°	6.5 ft

ORDERING INFORMATION

Model	UPC	Pcs. per carton	Carton size	Carton weight
ASD-SPFL5-300D50	810128114035	1	17.7" x 17.7" x 14"	34.2 lbs
ASD-SPFL5-500D50	810128113229	1	17.7" x 17.7" x 14"	34.2 lbs
ASD-SPFL5-750D50	810128114042	1	24.4" x 22.4" x 16.3"	65 lbs
ASD-SPFL5-1000D50	810128114059	1	24.4" x 22.4" x 16.3"	65 lbs
SPFL5-HV HIGH VOLTAGE				
ASD-SPFL5-HV-500D50	810128113830	1	17.7" x 17.7" x 14"	35.1 lbs
ASD-SPFL5-HV-750D50	810128113236	1	24.4" x 22.4" x 16.3"	65 lbs
ASD-SPFL5-HV-1000D50	810128113243	1	24.4" x 22.4" x 16.3"	68.3 lbs

ACCESSORIES:

Model	Description	UPC	Pcs. per carton	Carton size	Carton weight	GTIN 14
ASD-SF1-SPFL	Slip fitter with straight arm bracket for 300-500W	810128114066	5	19.9" x 15.9" x 12.4	42.6 lbs	10810128114063
ASD-SF2-SPFL	Slip fitter with straight arm bracket for 750-1000W	810128113250	4	23.8" x 15.8" x 17.5	68.3 lbs	10810128113257
ASD-LS-SPFL	Laser pointer	819201026432	10	12.2" x 12.2" x 7.5"	12.8 lbs	10819201026439
ASD-L30-SPFL-300/500	30° Lens for 300-500W	819201024704	20	12.2" x 12.2" x 8.46"	11.02 lbs	10819201024701

For most up-to-date spec sheets please refer to asd-lighting.com

ASD LIGHTING CORP

E-mail: orders@asd-lighting.com | Web site: www.asd-lighting.com





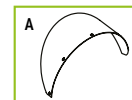
LED SPORT LIGHT

PRODUCT SPECIFICATIONS:

Construction & Materials						
Housing	Aluminum					
Lens	PC					
Visor	SPCC					
Finish	Black/Red					
Weight	ASD-SPFL5-300D50	31.3 lbs (14.2 kg)	ASD-SPFL5-750D50	56 lbs (25.4 kg)	ASD-SPFL5-HV-500D50	32.2 lbs (14.6 kg)
	ASD-SPFL5-500D50		ASD-SPFL5-1000D50	59.5 lbs (27 kg)	ASD-SPFL5-HV-750D50	56.2 lbs (25.5 kg)
					ASD-SPFL5-HV-1000D50	62.4 lbs (28.3 kg)
Environmental system						
Work environment	Suitable for Wet Locations, IP66					
Operating temperature	-40°F to 122°F (-40°C to 50°C)					
L-70 Life	ASD-SPFL5-300D50	R > 60,000 hrs; C > 133,000 hrs	ASD-SPFL5-750D50	R > 54,000 hrs; C > 122,000 hrs	ASD-SPFL5-HV-500D50	R > 60,000 hrs; C > 133,000 hrs
	ASD-SPFL5-500D50		ASD-SPFL5-1000D50		ASD-SPFL5-HV-750D50	
						R > 54,000 hrs; C > 122,000 hrs
Optical system						
Luminous flux	ASD-SPFL5-300D50	45,009 lm	ASD-SPFL5-750D50	113,489 lm	ASD-SPFL5-HV-500D50	74,009 lm
	ASD-SPFL5-500D50	74,009 lm	ASD-SPFL5-1000D50	156,456 lm	ASD-SPFL5-HV-750D50	109,731 lm
					ASD-SPFL5-HV-1000D50	150,198 lm
Color temperature	5,000 K					
CRI	> 80					
Electrical system						
Input voltage	Regular voltage: 120-277 V					
	High voltage: 200-480 V					
Max input current	ASD-SPFL5-300D50	2.7 A	ASD-SPFL5-750D50	6.6 A	ASD-SPFL5-HV-500D50	2.7 A
	ASD-SPFL5-500D50	4.4 A	ASD-SPFL5-1000D50	8.8 A	ASD-SPFL5-HV-750D50	3.9 A
					ASD-SPFL5-HV-1000D50	5.3 A
Inrush current (Action time)	ASD-SPFL5-300D50	140 A (0.8 S)	ASD-SPFL5-750D50	140 A (0.8 S)	ASD-SPFL5-HV-500D50	25 A (12.5 S)
	ASD-SPFL5-500D50	75 A (0.57 S)	ASD-SPFL5-1000D50	140 A (1.7 S)	ASD-SPFL5-HV-750D50	
					ASD-SPFL5-HV-1000D50	38 A (1.18 S)
Off state power	0W					
Power consumption	ASD-SPFL5-300D50	300W	ASD-SPFL5-750D50	750W	ASD-SPFL5-HV-500D50	500W
	ASD-SPFL5-500D50	500W	ASD-SPFL5-1000D50	1000W	ASD-SPFL5-HV-750D50	750W
					ASD-SPFL5-HV-1000D50	1000W
Power factor	> 0.9		for ASD-SPFL5-500D50 and HV models: > 1.0			
Output voltage	ASD-SPFL5-300D50	54 V	ASD-SPFL5-750D50	48 V	ASD-SPFL5-HV-500D50	180 V
	ASD-SPFL5-500D50		ASD-SPFL5-1000D50		ASD-SPFL5-HV-750D50	192 V
					ASD-SPFL5-HV-1000D50	
Max output current	ASD-SPFL5-300D50	5.3 A	ASD-SPFL5-750D50	14.8 A	ASD-SPFL5-HV-500D50	2.6 A
	ASD-SPFL5-500D50	8.8 A	ASD-SPFL5-1000D50	19.8 A	ASD-SPFL5-HV-750D50	3.7 A
					ASD-SPFL5-HV-1000D50	4.9 A
Surge protection DM/CM	10 kV / 10 kV					
Dimming compatible controls						
Brand	Leviton				Lutron	
Models	ZS057-D0Z	DS710	DD710	IP710	MS-Z101	DVSTV NTSTV DVTV
Effective projected area (EPA)						
Standard bracket	300-500W		1.18 ft ²			
	750-1000W		2.08 ft ²			
Regular and voluntary certifications						
Warranty 7-years for operating less than 19Hrs per day, with ambient temperature < 40°						
DesignLights Consortium (DLC) listed (Classification: Premium)						
Main: Outdoor luminaires; General application: Very high output;						
Primary use: Architectural flood and spot luminaires						
UL listed						

PACKAGE CONTENTS:

Description	Q-ty
LED Sport Light Fixture	1
Visor (A)	1
Box	1

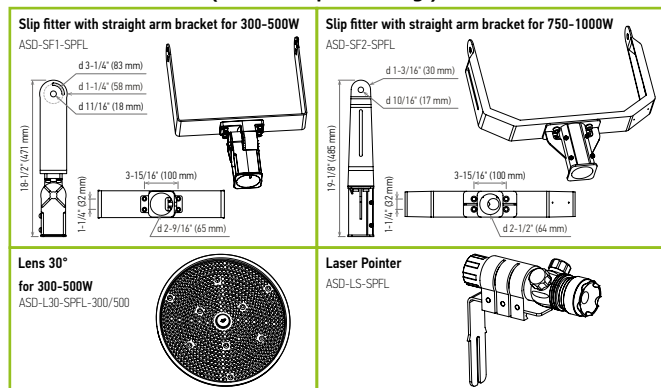


For most up-to-date spec sheets please refer to asd-lighting.com



LED SPORT LIGHT

ACCESSORIES (sold separately):



ACCESSORY COMPATIBILITY LIST:

Accessories	Slip-fitter with straight arm bracket for 300-500W ASD-SF1-SPFL	Slip-fitter with straight arm bracket for 750-1000W ASD-SF2-SPFL	Laser pointer ASD-LS-SPFL	30° Lens for 300-500W ASD-L30-SPFL-300/500
ASD-SPFL5-300D50	•		•	•
ASD-SPFL5-500D50	•		•	•
ASD-SPFL5-750D50		•	•	
ASD-SPFL5-1000D50		•	•	
ASD-SPFL5-HV-500D50	•		•	•
ASD-SPFL5-HV-750D50		•	•	
ASD-SPFL5-HV-1000D50		•	•	

INSTALLATION GUIDE

IMPORTANT SAFETY INFORMATION:

Please read all the instructions below before installation.

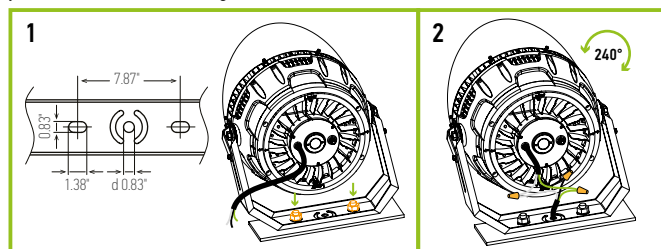
- ▶ Make sure that the supply voltage corresponds to the rated product voltage.
- ▶ The product must be installed by a qualified electrician in accordance with the National Electrical Code and corresponding local codes.
- ▶ If the product is damaged, do not use it.

⚠ WARNING

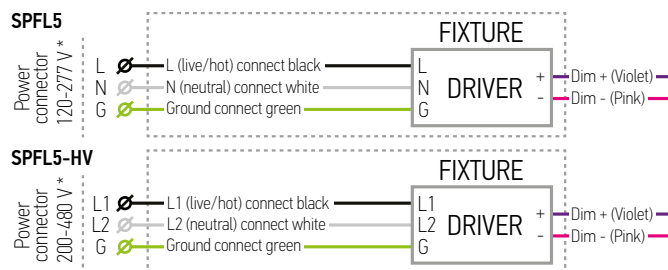
RISK OF PERSONAL INJURY – READ and follow all WARNINGS and installation instructions. Keep or give to the owner for future reference.
Risk of cuts: Wear gloves to prevent cuts or abrasions when removing from carton, handling, installing, and maintaining this product.
Risk of electric shock: This product must be installed in accordance with the applicable installation code by a person familiar with the construction and operation of the product and the hazards involved.
Risk of Fire: Minimum 194°F supply conductors. Consult a qualified electrician to ensure correct branch circuit conductor.
 ASD® assumes no responsibility for claims arising out of improper or careless installation or handling of this product.

INSTALLATION STEPS:

- Figure 1 shows the bolt pattern of the mount. Secure the fixture using the 2 mounting holes.
- Pull the wire through the center hole to complete the wiring. Make sure that your connection is watertight.



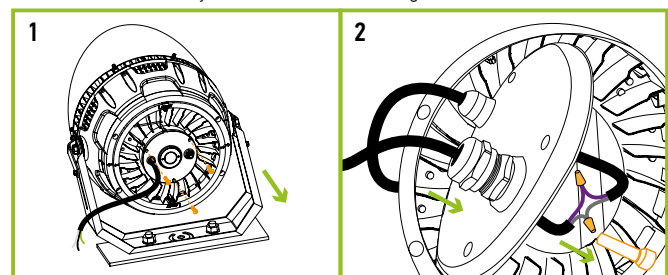
ELECTRICAL SCHEMATIC DIAGRAM:



* The regular voltage 120-277V fixtures can be alternatively powered without neutral by two-phase circuit with phase-to-phase voltage of 208V (L1-120V & L2-120V).
WARNING: Phase-to-phase voltage should be less than 277V (160V per each phase) and more than 120V (70V per each phase)! Do not confuse Regular Voltage fixtures of 120-277V with High Voltage ones of 200-480V!

DIMMING WIRES CONNECTION:

- Using a screw driver remove the circular plate on the back of the fixture.
- Connect the dimming wires and bring them through the back plate. Reattach cover and tighten the bolts. If the cover is installed incorrectly the warranty will be voided. Make sure that your connection is watertight.



For most up-to-date spec sheets please refer to asd-lighting.com

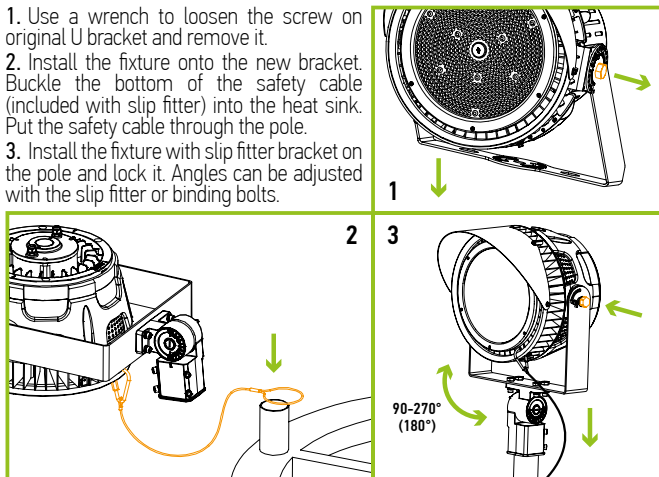


LED SPORT LIGHT

SLIP-FITTER 300-500W INSTALLATION

ASD-SF1-SPFL sold separately:

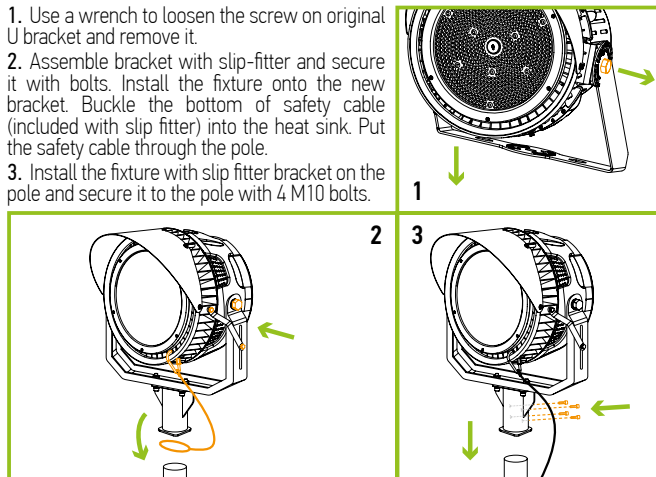
1. Use a wrench to loosen the screw on original U bracket and remove it.
2. Install the fixture onto the new bracket. Buckle the bottom of the safety cable (included with slip fitter) into the heat sink. Put the safety cable through the pole.
3. Install the fixture with slip fitter bracket on the pole and lock it. Angles can be adjusted with the slip fitter or binding bolts.



SLIP-FITTER 750-1000W INSTALLATION

ASD-SF2-SPFL sold separately:

1. Use a wrench to loosen the screw on original U bracket and remove it.
2. Assemble bracket with slip-fitter and secure it with bolts. Install the fixture onto the new bracket. Buckle the bottom of safety cable (included with slip fitter) into the heat sink. Put the safety cable through the pole.
3. Install the fixture with slip fitter bracket on the pole and secure it to the pole with 4 M10 bolts.

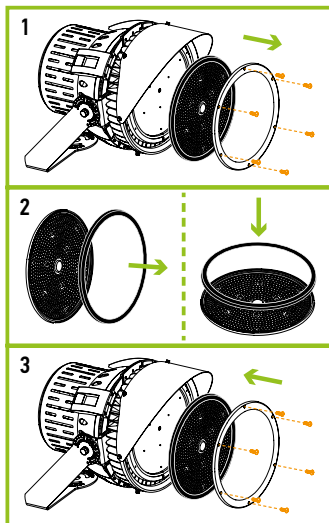
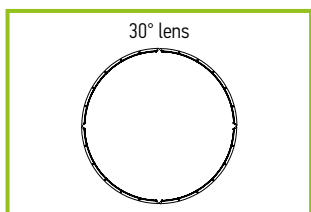


LENS INSTALLATION FOR 300-500W

ASD-L30-SPFL-300/500 sold separately:

1. Remove the 6 screws that hold the face ring and the lens to the fixture.
2. Remove the waterproof ring from the original lens and attach it to the new lens.
3. Reattach the new lens, waterproof ring, and face ring to the fixture with 6 screws.

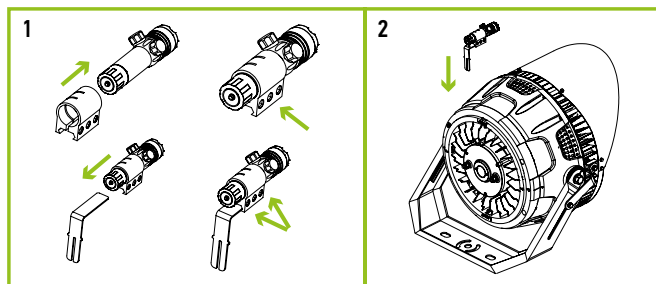
Power	300W	500W
30°	1 pcs 30° lens	
45°	Default	



LASER POINTER INSTALLATION

ASD-LS-SPFL sold separately:

1. Attach the laser pointer to the holder. Loosen the hex screws. Slide the holder over the L bracket. Tighten the hex screws.
2. Find the mounting hole marked "Laser" on the lighting fixture. Attach.



For most up-to-date spec sheets please refer to asd-lighting.com