



LED VANITY LINEAR

Color Adjustable

► **DESIGN & OPTIONS** - LED VANITY LINEAR LIGHT has a sleek, modern design that allows you to have a stylish look with efficient lighting. It features smooth dimming capabilities ranging from 100% to 10% with modern LED dimmers, and the 160° beam angle provides uniform illumination. This fixture includes a color adjustable option, allowing you to choose either 3000K, 4000K or 5000K with a simple switch. It comes in 18" and 24" sizes with a BRUSHED NICKEL finish.

► **INSTALLATION** - Installation is quick and easy: just attach the back plate to the outlet box with screws, connect the wires, and secure the fixture to the back plate. Screws, wire nuts, decorative caps and all necessary installation accessories are provided. Can be installed both vertically and horizontally. Refer to install instructions for detailed steps.

► **APPLICATION** - This LED VANITY LINEAR LIGHT creates a bright light that is perfect for bathroom spaces. It can also be used as an additional light to an already existing ceiling light. This fixture is Damp location rated.

► **ENERGY SAVING & EFFICIENCY** - Replacing an incandescent fixture with LED VANITY LINEAR LIGHT can save you 8 times as much on your current energy costs. With a lifespan of 50,000 hours, these fixtures are made to last decades with normal operation! This fixture will save you a significant amount of money in its lifetime.

► **CERTIFICATION & WARRANTY** - Buy with confidence: ASD provides a 5-year warranty along with ETL and ENERGY STAR certifications to guarantee top quality products and safety!

Top US certifications allow participation in rebates; please check the rebate programs available in your state.

Catalog number	
Notes	
Type	



PRODUCT LEGEND:

Family	Modification	Size	Dimmable	Watts	CCT	Finish
ASD-LVF	22	XX	X	XX	XX	XX
LED Vanity Linear		18 = 18 inch	D = Dimmable	20 = 20 W	CC = 3,000/4,000/5,000 K	NK = Brushed Nickel
		24 = 24 inch		25 = 25 W		

LED VANITY LINEAR:

Model	Size	Watts	Dimmable	CCT	Lumens	Dimensions (LxWxH)	UPS
ASD-LVF22-18D20CC-NK	18 inch	20 W	TRIAC	3,000/4,000/5,000 K	1,400 lm	18" x 4 1/2" x 4 3/4"	810050732857
ASD-LVF22-24D25CC-NK	24 inch	25 W	TRIAC	3,000/4,000/5,000 K	1,750 lm	24" x 4 1/2" x 4 3/4"	810050732864

PRODUCT SPECIFICATIONS:

Construction & Materials			Electrical System			
Housing	Steel		Input Voltage	120 V		
Lens	White Acrylic		Max input current	ASD-LVF22-18D20CC-NK	0.2 A	
Finish Color	Brushed Nickel			ASD-LVF22-24D25CC-NK	0.25 A	
Weight	ASD-LVF22-18D20CC-NK	2.1 lb (1 kg)	Inrush current (Action time)	ASD-LVF22-18D20CC-NK	0.17 A (0.1 S)	
	ASD-LVF22-24D25CC-NK	2.6 lb (1.2 kg)		ASD-LVF22-24D25CC-NK	0.21 A (0.1 S)	
Environmental System			AC input range	min 108 V max 132 V		
Work Environment	Suitable for Damp Locations		Off State Power	0 W		
Operating Temperature	-4°F to 122°F (-20°C to 50°C)		Power Consumption	ASD-LVF22-18D20CC-NK	20 W	
L-70 Life	> 50,000 hrs			ASD-LVF22-24D25CC-NK	25 W	
Optical System			Power Factor	> 0.9		
Luminous Flux	ASD-LVF22-18D20CC-NK	1,400 lm	LED Driver Class	DOB		
	ASD-LVF22-24D25CC-NK	1,750 lm	Dimming range			
Color Temperature	3,000/4,000/5,000 K		10-100%			
CRI	> 80		Dimming compatible controls			
Regular and Voluntary Certifications			Brand	Lutron		
5-year limited warranty	cETLus certified 4001256	Energy Star listed	Models	DVCL-153P	PD-6WCL	CTCL-153P
				TGCL-153P	6672	6674

For most up-to-date spec sheets please refer to asd-lighting.com

ASD LIGHTING CORP

E-mail: orders@asd-lighting.com | Web site: www.asd-lighting.com





LED VANITY LINEAR

Color Adjustable

INSTALLATION GUIDE

IMPORTANT SAFETY INFORMATION:

Please read all the instructions below before installation.

- ▶ Make sure that the supply voltage corresponds to the rated product voltage.
- ▶ The product must be installed by a qualified electrician in accordance with the National Electrical Code and corresponding local codes.
- ▶ If the product is damaged, do not use it.

⚠ WARNING

RISK OF PERSONAL INJURY – READ and follow all WARNINGS and installation instructions.

Keep or give to the owner for future reference.

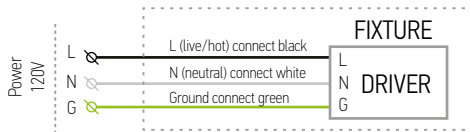
Risk of cuts: Wear gloves to prevent cuts or abrasions when removing from carton, handling, installing, and maintaining this product.

Risk of electric shock: This product must be installed in accordance with the applicable installation code by a person familiar with the construction and operation of the product and the hazards involved.

Risk of Fire: Minimum 194°F supply conductors. Consult a qualified electrician to ensure correct branch circuit conductor.

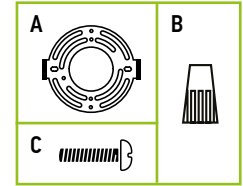
ASD® assumes no responsibility for claims arising out of improper or careless Installation or handling of this product.

ELECTRICAL SCHEMATIC DIAGRAM:



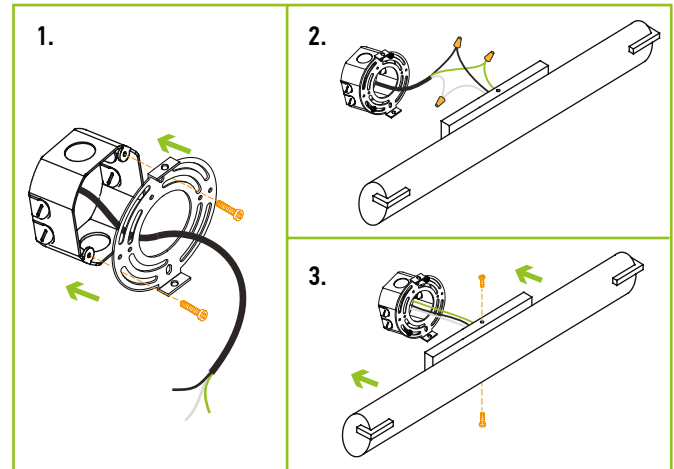
PACKAGE CONTENTS:

Description	Q-ty
LED Vanity Linear	1
Mounting bracket (A)	1
Wire nuts (B)	3
¼ inch Screws (C)	2
Box	1
Cut sheet	2



INSTALLATION STEPS:

1. Pull the power supply wires out from the outlet box. Attach the mounting bracket to the outlet box using two screws.
2. Connect the wires: Black to Black, White to White, Green to Green. Secure the connection with wire nuts.
3. Place the fixture back plate of the lamp over the mounting bracket. Insert the fixture screws and tighten to secure the fixture on the surface.



ORDERING INFORMATION

Model	Pcs in middle box	Middle box Size	Middle box Weight	GTIN 14 for Middle box	Pcs. per Carton	Carton Size	Carton Weight	GTIN 14 for Carton
ASD-LVF23-18D20CC-NK	2	21.1" x 11.8" x 13.6"	4.2 lb	10810050732854	4	21.1" x 11.8" x 13.6"	13.7 lb	20810050732851
ASD-LVF23-24D25CC-NK	2	27.2" x 11.8" x 13.6"	5.1 lb	10810050732861	4	27.2" x 11.8" x 13.6"	17.1 lb	20810050732868

For most up-to-date spec sheets please refer to asd-lighting.com

ASD LIGHTING CORP

E-mail: orders@asd-lighting.com | Web site: www.asd-lighting.com

