



LED WALLPACK with optic lens

Standard Series

ASD new generation of traditional wallpack with optic lenses is the premier choice for commercial and industrial lighting in a variety of settings, such as entryways, parking lots, garages, warehouses, barns, sheds, public areas, landscape and more.

Catalog number	
Notes	
Type	

FEATURES AND BENEFITS:

- ▶ Build-in dusk to down photocell sensor
- ▶ 400-Watt Metal Halide Replacement
- ▶ Easy to install, includes built in bubble level
- ▶ Dusk to down photocell available (optional)
- ▶ No maintenance
- ▶ Operating temperature of -4°F to 104°F
- ▶ Wet location IP65 rated
- ▶ L-70 Life R > 36,000 hrs C > 180,000 hrs
- ▶ cULus certified
- ▶ DLC Standard
- ▶ 5 Year warranty



PRODUCT LEGEND:

Family	Modification	Watts	Dimmable	CCT	Finish	Option	Series
ASD-WLP	XXX	XX	X	XX	B	XX	XXX
LED Wallpack	01L = optic lenses	28 = 28 W	N = Non-dimmable	40 = 4,000 K	Bronze	PC = Photocell	PRM = Standard
	01LS = optic lenses 10" size	48 = 48 W	D = Dimmable	50 = 5,000 K			Blank = Standard
		50 = 50 W					
		75 = 75 W					

LED WALLPACK WITH OPTIC LENS:

Model	Watts	Dimmable	CCT	Lumens	Option	Dimensions (LxWxH)	DLC
ASD-WLP01L-28N40B-PRM	28	-	4,000 K	3,429 lm	-	10" x 5 7/8" x 5 1/2"	Standard
ASD-WLP01L-28N50B-PRM	28	-	5,000 K	3,429 lm	-	10" x 5 7/8" x 5 1/2"	Standard
ASD-WLP01L-28N50B-PC-PRM	28	-	5,000 K	3,460 lm	Photocell	14 1/4" x 9 1/4" x 7 3/8"	Standard
ASD-WLP01L-48N40B-PRM	48	-	4,000 K	6,478 lm	-	14 3/8" x 9 1/4" x 7 3/8"	Standard
ASD-WLP01L-48N40B-PC-PRM	48	-	4,000 K	5,594 lm	Photocell	14 1/4" x 9 1/4" x 7 3/8"	Standard
ASD-WLP01L-48N50B-PC-PRM	48	-	5,000 K	5,634 lm	Photocell	14 1/4" x 9 1/4" x 7 3/8"	Standard
ASD-WLP01LS-50N40B	50	-	4,000 K	5,594 lm	-	10" x 5 7/8" x 5 1/2"	Standard
ASD-WLP01LS-50N40B-PC	50	-	4,000 K	5,594 lm	Photocell	10" x 5 3/4" x 5 1/2"	Standard
ASD-WLP01LS-50N50B-PC	50	-	5,000 K	5,634 lm	Photocell	10" x 5 3/4" x 5 1/2"	Standard
ASD-WLP01L-75D40B-PRM	75	0-10 V	4,000 K	9,889 lm	-	14 3/8" x 9 1/4" x 7 3/8"	Standard

For most up-to-date spec sheets please refer to asd-lighting.com

ASD LIGHTING CORP

E-mail: orders@asd-lighting.com | Web site: www.asd-lighting.com





LED WALLPACK with optic lens

Standard Series

PRODUCT SPECIFICATIONS:

Construction & Materials						
Lens	Plastic					
Housing	Die-Cast Aluminum					
Finish	Bronze					
Weight	ASD-WLP01L-28N40B-PRM	4 lbs (1.8 kg)	ASD-WLP01L-48N40B-PRM	7.5 lbs (3.4 kg)	ASD-WLP01LS-50N40B	4 lbs (1.8 kg)
	ASD-WLP01L-28N50B-PRM		ASD-WLP01L-48N40B-PC-PRM		ASD-WLP01LS-50N40B-PC	
	ASD-WLP01L-28N50B-PC-PRM	ASD-WLP01L-48N50B-PC-PRM	ASD-WLP01LS-50N50B-PC	7.5 lbs (3.4 kg)		
			ASD-WLP01L-75D40B-PRM			
Environmental System						
Work Environment	Suitable for Wet Locations, IP65					
Operating Temperature	-4°F to 104°F (-20°C to 40°C)					
L-70 Life	R > 36,000 hrs; C > 180,000 hrs					
Optical System						
Luminous Flux	ASD-WLP01L-28N40B-PRM	3,429 lm	ASD-WLP01L-48N40B-PRM	6,478 lm	ASD-WLP01LS-50N40B	5,594 lm
	ASD-WLP01L-28N50B-PRM		ASD-WLP01L-48N40B-PC-PRM		ASD-WLP01LS-50N40B-PC	
	ASD-WLP01L-28N50B-PC-PRM	3,460 lm	ASD-WLP01L-48N50B-PC-PRM	5,634 lm	ASD-WLP01LS-50N50B-PC	6,595 lm
					ASD-WLP01L-75D40B-PRM	9,889 lm
Color Temperature	4,000 K, 5,000 K					
CRI	>70					
Electrical System						
Input Voltage	120-277 V					
Max input current	ASD-WLP01L-28N40B-PRM	0.38 A	ASD-WLP01L-48N40B-PRM	0.52 A	ASD-WLP01LS-50N40B	0.52 A
	ASD-WLP01L-28N50B-PRM		ASD-WLP01L-48N40B-PC-PRM		ASD-WLP01LS-50N40B-PC	
	ASD-WLP01L-28N50B-PC-PRM	0.52 A	ASD-WLP01L-48N50B-PC-PRM	ASD-WLP01LS-50N50B-PC	1.0 A	
				ASD-WLP01L-75D40B-PRM	1.0 A	
Inrush current (Action time)	ASD-WLP01L-28N40B-PRM	20 A (0.6 S)	ASD-WLP01L-48N40B-PRM	20 A (0.6 S)	ASD-WLP01LS-50N40B	20 A (0.6 S)
	ASD-WLP01L-28N50B-PRM		ASD-WLP01L-48N40B-PC-PRM		ASD-WLP01LS-50N40B-PC	
	ASD-WLP01L-28N50B-PC-PRM	ASD-WLP01L-48N50B-PC-PRM	ASD-WLP01LS-50N50B-PC	30 A (0.6 S)		
			ASD-WLP01L-75D40B-PRM			
AC input range	min 90 V max 305 V					
Off State Power	0 W					
Power Consumption	ASD-WLP01L-28N40B-PRM	28 W	ASD-WLP01L-48N40B-PRM	48 W	ASD-WLP01LS-50N40B	50 W
	ASD-WLP01L-28N50B-PRM		ASD-WLP01L-48N40B-PC-PRM		ASD-WLP01LS-50N40B-PC	
	ASD-WLP01L-28N50B-PC-PRM	ASD-WLP01L-48N50B-PC-PRM	ASD-WLP01LS-50N50B-PC	75 W		
			ASD-WLP01L-75D40B-PRM			
Power Factor	> 0.9					
Output voltage	ASD-WLP01L-28N40B-PRM	24-45 V	ASD-WLP01L-48N40B-PRM	23-42 V	ASD-WLP01LS-50N40B	23-42 V
	ASD-WLP01L-28N50B-PRM		ASD-WLP01L-48N40B-PC-PRM		ASD-WLP01LS-50N40B-PC	
	ASD-WLP01L-28N50B-PC-PRM	ASD-WLP01L-48N50B-PC-PRM	ASD-WLP01LS-50N50B-PC	28-40 V		
			ASD-WLP01L-75D40B-PRM			
Max output current	ASD-WLP01L-28N40B-PRM	700 mA	ASD-WLP01L-48N40B-PRM	1.2 A	ASD-WLP01LS-50N40B	1.2 A
	ASD-WLP01L-28N50B-PRM		ASD-WLP01L-48N40B-PC-PRM		ASD-WLP01LS-50N40B-PC	
	ASD-WLP01L-28N50B-PC-PRM	1.2 A	ASD-WLP01L-48N50B-PC-PRM	ASD-WLP01LS-50N50B-PC	1.2 A	
				ASD-WLP01L-75D40B-PRM		
LED Driver Class	ASD-WLP01L-28N40B-PRM	Class 2	ASD-WLP01L-48N40B-PRM	Class 2	ASD-WLP01LS-50N40B	Class 2
	ASD-WLP01L-28N50B-PRM		ASD-WLP01L-48N40B-PC-PRM		ASD-WLP01LS-50N40B-PC	
	ASD-WLP01L-28N50B-PC-PRM	ASD-WLP01L-48N50B-PC-PRM	ASD-WLP01LS-50N50B-PC	No		
			ASD-WLP01L-75D40B-PRM			
Warranty & Certifications						
5-year limited warranty						
DesignLights Consortium (DLC) listed (Classification: Standard)						
Main: Outdoor Luminaires						
General Application: Low Output						
Primary Use: Outdoor Non-Cutoff and Semi-Cutoff Wall-Mounted Area Luminaires						
cULus certified	E473804					

PACKAGE CONTENTS:

Description	Q-ty
LED Wallpack with optic lens fixture	1
Box	1
Cut Sheet	2

For most up-to-date spec sheets please refer to asd-lighting.com

ASD LIGHTING CORP

E-mail: orders@asd-lighting.com | Web site: www.asd-lighting.com





LED WALLPACK with optic lens

Standard Series

INSTALLATION GUIDE

IMPORTANT SAFETY INFORMATION:

Please read all the instructions below before installation.

- ▶ Make sure that the supply voltage corresponds to the rated product voltage.
- ▶ The product must be installed by a qualified electrician in accordance with the National Electrical Code and corresponding local codes.
- ▶ If the product is damaged, do not use it.

⚠ WARNING

RISK OF PERSONAL INJURY – READ and follow all WARNINGS and installation instructions.

Keep or give to the owner for future reference.

Risk of cuts: Wear gloves to prevent cuts or abrasions when removing from carton, handling, installing, and maintaining this product.

Risk of electric shock: This product must be installed in accordance with the applicable installation code by a person familiar with the construction and operation of the product and the hazards involved.

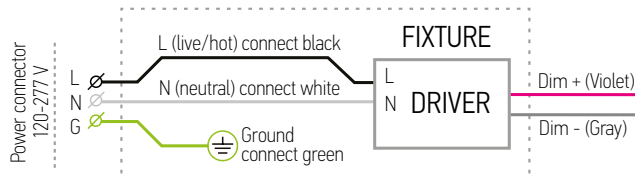
Risk of Fire: Minimum 194°F supply conductors. Consult a qualified electrician to ensure correct branch circuit conductor.

ASD® assumes no responsibility for claims arising out of improper or careless installation or handling of this product.

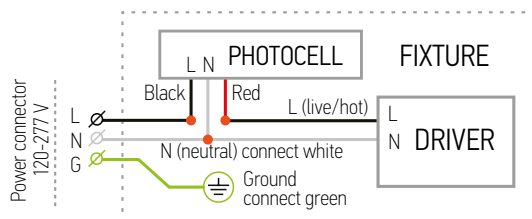
For recessed installation: Access above ceiling required. Inherently protected.

Vapor barrier must be suitable for 194°F

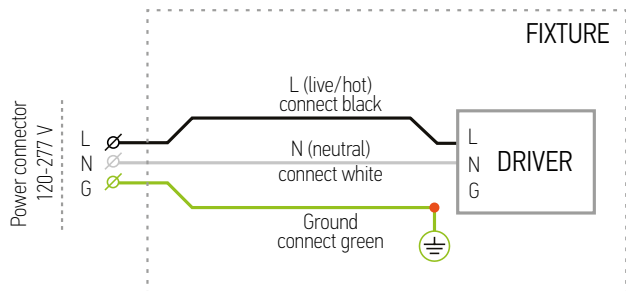
ELECTRICAL SCHEMATIC DIAGRAM DIMMABLE:



ELECTRICAL SCHEMATIC DIAGRAM WALLPACK WITH PHOTOCELL:



ELECTRICAL SCHEMATIC DIAGRAM NON-DIMMABLE:



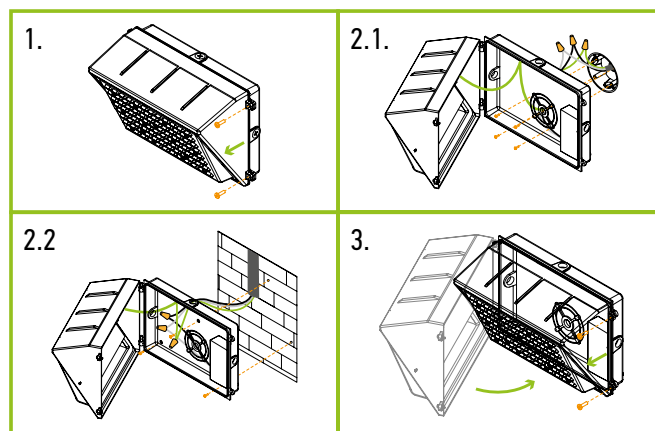
PHOTOCELL:

This light includes an optional Photocell which activates the light during low illumination (At Dusk) and de-activates the light when illuminated (At Dawn).

Operate Level	
10-20 Lx	ON
30-80 Lx	OFF

INSTALLATION STEPS:

1. Use a screwdriver to loosen (2) screws securing fixture door and open it.
2. It can be mounted to junction box or directly to a wall. In either application use the bubble level built into the fixture to evenly mount.
 - 2.1. Carefully drill holes through castings to avoid damaging the driver, wires and quick connectors. Hang the fixture on the back plate. Connect wires into wiring terminal; white wire to "Neutral" terminal, black wire to "Live" terminal, green wire to "Ground" terminal; and fix them with screws.
 - 2.2. Replace one of the side caps pointed in the picture, insert power cord into the fixture and connect the wires as shown. Refer to size of the diagram to bore the holes in the wall.
3. Close fixture and tighten 2 screws removed in installation step 1.

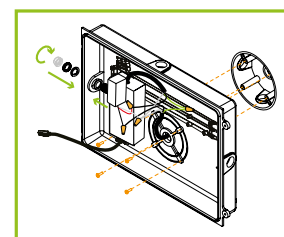


PHOTOCELL INSTALLATION:

Take out one of the knockout caps, place the first O-ring on PC thread, install the photocell into the receptacle base.

Place the second O-ring, screw the plastic nut, and tighten the transparent cap on PC thread at the outer side of the fixture.

Connect all the photocell wires according to PHOTOCELL ELECTRICAL SCHEMATIC DIAGRAM (page 5).



For most up-to-date spec sheets please refer to asd-lighting.com



LED WALLPACK with optic lens

Standard Series

ORDERING INFORMATION

LED WALLPACK WITH OPTIC LENS:

Model	Watts	CCT	UPC	GTIN14	Pcs in one Carton	Carton Size	Carton Weight
ASD-WLP01L-28N40B-PRM	28	4,000 K	819201021024	10819201021021	4	12.3' x 11' x 13'	17.2 lbs
ASD-WLP01L-28N50B-PRM	28	5,000 K	819201024469	10819201024466	4	12.3' x 11' x 13'	17.2 lbs
ASD-WLP01L-28N50B-PC-PRM	28	5,000 K	819201022861	10819201022868	4	12.3' x 11' x 13'	17.2 lbs
ASD-WLP01L-48N40B-PRM	48	4,000 K	819201021048	-	1	16' x 10' x 9"	8.4 lbs
ASD-WLP01L-48N40B-PC-PRM	48	4,000 K	819201022311	-	1	16' x 10' x 9"	8.4 lbs
ASD-WLP01L-48N50B-PC-PRM	48	5,000 K	819201022984	-	1	16' x 10' x 9"	8.4 lbs
ASD-WLP01LS-50N40B	50	4,000 K	819201021031	10819201021038	4	12.3' x 11' x 13'	17.2 lbs
ASD-WLP01LS-50N40B-PC	50	4,000 K	819201022304	10819201022301	4	12.3' x 11' x 13'	17.2 lbs
ASD-WLP01LS-50N50B-PC	50	5,000 K	819201022977	10819201022974	4	12.3' x 11' x 13'	17.2 lbs
ASD-WLP01L-75D40B-PRM	75	4,000 K	819201024483	-	1	16' x 10' x 9"	8.4 lbs

ACCESSORIES:

Model	Name	UPC	GTIN 14	Pcs in one Carton	Carton Size	Carton Weight
ASD-WLP01-02-PC	Photocell for LED Wallpack	819201024445	10819201024442	200	14.2' x 11' x 16.9"	28.7 lbs

For most up-to-date spec sheets please refer to asd-lighting.com

ASD LIGHTING CORP

E-mail: orders@asd-lighting.com | Web site: www.asd-lighting.com

