



LED ROUND RECESSED MINI PANEL GIMBAL

► **DESIGN & OPTIONS** - LED ROUND RECESSED MINI PANEL GIMBAL is a perfect for sloped ceilings and directional lighting as the light can pivot and rotate to illuminate the desired area. It provides smooth dimming capabilities ranging from 100% to 10% with modern LED dimmers. There is also a color adjustable option, letting you set it to 3,000K, 4,000K or 5,000K with a simple switch. The 110° beam angle will leave no dark spots on the floor. It comes in 4" and 6" sizes with a WHITE or BRONZE finish.

Use the NEW CONSTRUCTION MOUNTING PLATES to install LED RECESSED MINI PANEL into newly constructed or remodeled homes. Included mounting holes and tracks mean these plates will fit perfectly in many different structural layouts. Alignment notches on the plate help to align multiple plates. It is compatible with a range of 4", and 6" LED recessed lights.

► **INSTALLATION** - This fixture has a J-box and requires only 2" of ceiling space, making installation quick and easy. It has everything you need in one set. Just cut out the template, connect the J-box wiring to your light switch, and place it into your ceiling. Spring-loaded clips ensure a snug fit to the surface. This fixture is IC rated so there is no can or any other housing required. Refer to install instructions for detailed steps.

► **APPLICATION** - With 35° of vertical rotation, this LED ROUND RECESSED MINI PANEL WITH GIMBAL provides you with even and balanced lighting in your family room, bedroom, hallway, corridor, or any other common area in your living space. It is also suitable for Damp locations, making it perfect for kitchens and garages as well. You could also use it as a complimentary light to an already existing ceiling light.

► **ENERGY SAVINGS & EFFICIENCY** - Replacing an incandescent bulb with the LED ROUND RECESSED MINI PANEL WITH GIMBAL can save you up to 8 times as much on your current energy costs. With a lifespan of 50,000 hours, these fixtures are made to last decades under normal operation! This fixture will save you a significant amount of money in its lifetime.

► **CERTIFICATION & WARRANTY** - Buy with confidence: ASD provides a 5-year warranty along with ETL and ENERGY STAR certifications to guarantee top quality products and safety!

Top US certifications allow participation in rebates; please check the rebate programs available in your state.

Catalog number	
Notes	
Type	



LED ROUND RECESSED MINI PANEL GIMBAL:

Model	Size	Watts	Tensión	Dimmable	CCT	Lumens	Dimensions (LxH)	Finish
ASD-LMPJBR-GB-4D9CC-WH	4 inch	9 W	120 V	TRIAC	3CCT (3,000/4,000/5,000 K)	630 lm	5" x 1 1/8"	White
ASD-LMPJBR-GB-4D9CC-BZ	4 inch	9 W	120 V	TRIAC	3CCT (3,000/4,000/5,000 K)	630 lm	5" x 1 1/8"	Oil Rubbed Bronze
ASD-LMPJBR-GB-6D12CC-WH	6 inch	12 W	120 V	TRIAC	3CCT (3,000/4,000/5,000 K)	840 lm	8" x 1 5/8"	White
ASD-LMPJBR-GB-6D12CC-BZ	6 inch	12 W	120 V	TRIAC	3CCT (3,000/4,000/5,000 K)	840 lm	8" x 1 5/8"	Oil Rubbed Bronze

For most up-to-date spec sheets please refer to asd-lighting.com

ASD LIGHTING CORP

E-mail: orders@asd-lighting.com | Web site: www.asd-lighting.com





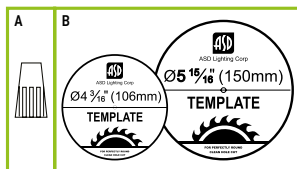
LED ROUND RECESSED MINI PANEL GIMBAL

PRODUCT SPECIFICATIONS:

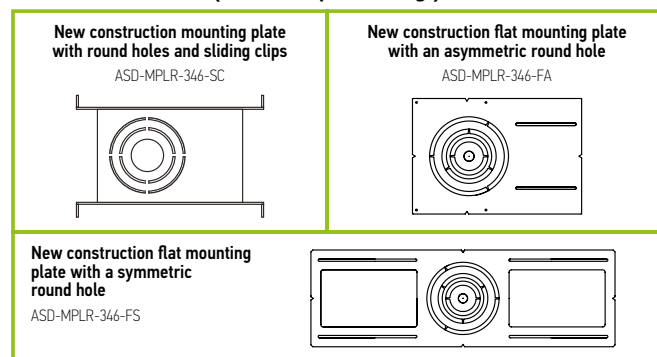
Construction & Materials		
Housing	Aluminum	
Lens	Acrylic	
Finish Color	White, Oil Rubbed Bronze	
Weight	ASD-LMPJBR-GB-4D9CC-WH	0.8 lb (0.4 kg)
	ASD-LMPJBR-GB-4D9CC-BZ	
	ASD-LMPJBR-GB-6D12CC-WH	1.4 lb (0.6 kg)
	ASD-LMPJBR-GB-6D12CC-BZ	
Environmental System		
Work Environment	Suitable for Damp Locations	
Operating Temperature	14°F to 113°F (-10°C to 45°C)	
L-70 Life	> 50,000 hrs	
Optical System		
Luminous Flux	ASD-LMPJBR-GB-4D9CC-WH	630 lm
	ASD-LMPJBR-GB-4D9CC-BZ	
	ASD-LMPJBR-GB-6D12CC-WH	840 lm
	ASD-LMPJBR-GB-6D12CC-BZ	
Color Temperature	3CCT (3,000/4,000/5,000 K)	
CRI	> 80	
Electrical System		
Input Voltage	120 V	
Max input current	ASD-LMPJBR-GB-4D9CC-WH	0.08 A
	ASD-LMPJBR-GB-4D9CC-BZ	
	ASD-LMPJBR-GB-6D12CC-WH	0.1 A
	ASD-LMPJBR-GB-6D12CC-BZ	
Inrush current (Action time)	ASD-LMPJBR-GB-4D9CC-WH	0.341 A (0.59 S)
	ASD-LMPJBR-GB-4D9CC-BZ	
	ASD-LMPJBR-GB-6D12CC-WH	0.349 A (0.59 S)
	ASD-LMPJBR-GB-6D12CC-BZ	
AC input range	min 100 V max 130 V	
Off State Power	0 W	
Power Consumption	ASD-LMPJBR-GB-4D9CC-WH	9 W
	ASD-LMPJBR-GB-4D9CC-BZ	
	ASD-LMPJBR-GB-6D12CC-WH	12 W
	ASD-LMPJBR-GB-6D12CC-BZ	
Power Factor	> 0.9	
Output voltage	ASD-LMPJBR-GB-4D9CC-WH	18-32 V
	ASD-LMPJBR-GB-4D9CC-BZ	
	ASD-LMPJBR-GB-6D12CC-WH	32-40 V
	ASD-LMPJBR-GB-6D12CC-BZ	
LED Driver Class	Class 1	
Dimming range		
10-100%		
Dimming compatible controls		
Brand	Lutron	Leviton
	CTELV-303P-WH	6674
Models	SELV-300P	
	DVELV-300P	
Regular and Voluntary Certifications		
5-year limited warranty		
ETL certified 3194213		
Energy Star listed		

PACKAGE CONTENTS:

Description	Q-ty
LED Round Recessed Mini Panel Gimbal	1
Wire Nut (A)	3
Template for 4 inch or 6 inch (B)	1
Box	1
Cut Sheet	2



ACCESSORIES (sold separately):



ACCESSORY COMPATIBILITY LIST:

Accessories	New construction mounting plate with round holes and sliding clips ASD-MPLR-346-SC	New construction flat mounting plate with an asymmetric round hole ASD-MPLR-346-FA	New construction flat mounting plate with a symmetric round hole ASD-MPLR-346-FS
Models			
ASD-LMPJBR-GB-4D9CC-WH	•	•	•
ASD-LMPJBR-GB-4D9CC-BZ	•	•	•
ASD-LMPJBR-GB-6D12CC-WH	•	•	•
ASD-LMPJBR-GB-6D12CC-BZ	•	•	•

INSTALLATION GUIDE

IMPORTANT SAFETY INFORMATION:

Please read all the instructions below before installation.

- ▶ Make sure that the supply voltage corresponds to the rated product voltage.
- ▶ The product must be installed by a qualified electrician in accordance with the National Electrical Code and corresponding local codes.
- ▶ If the product is damaged, do not use it.

⚠ WARNING

RISK OF PERSONAL INJURY – READ and follow all WARNINGS and installation instructions.

Keep or give to the owner for future reference.

Risk of cuts: Wear gloves to prevent cuts or abrasions when removing from carton, handling, installing, and maintaining this product.

Risk of electric shock: This product must be installed in accordance with the applicable installation code by a person familiar with the construction and operation of the product and the hazards involved.

Risk of Fire: Minimum 194°F supply conductors. Consult a qualified electrician to ensure correct branch circuit conductor.

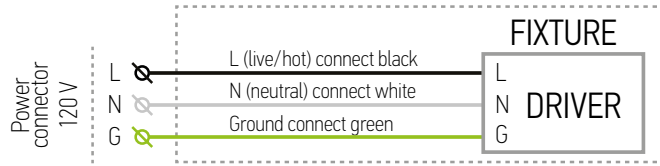
ASD® assumes no responsibility for claims arising out of improper or careless installation or handling of this product.

For most up-to-date spec sheets please refer to asd-lighting.com



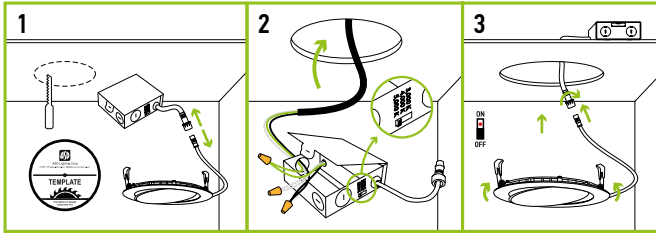
LED ROUND RECESSED MINI PANEL GIMBAL

ELECTRICAL SCHEMATIC DIAGRAM:



INSTALLATION STEPS:

1. Use template to cut an appropriate sized hole. Disconnect the fixture from the Junction Box.
2. Open Junction box. Connect the wires: Black to Black, White to White, Green to Green. Secure the connection with Wire Nuts. Choose needed color temperature by adjusting the switch. Close the Junction box.
3. Insert the Junction box into the cut hole, leaving the connection cable outside. Connect the fixture to the Junction box inserting the cable and securing it with a cap. Push the spring loaded clips upwards and insert the fixture base into the mounting hole. Release the clips, so the fixture fits snugly.



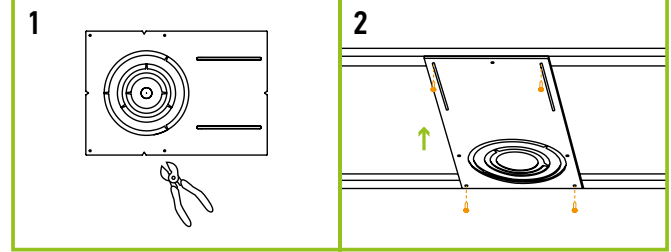
* The fixture is suitable for ceiling thickness of 10-25 mm.

MOUNTING PLATE

ASD-MPLR-346-SC | ASD-MPLR-346-SC | ASD-MPLR-346-FA

sold separately:

1. Remove the metal ring from the mounting plate according to the size of fixture.
2. Place the mounting plate and secure its position with the screws on the beams.



ORDERING INFORMATION

LED ROUND RECESSED MINI PANEL GIMBAL:

Model	UPC	Pcs in middle box	Middle box Size	Middle box Weight	GTIN 14 for Middle box	Pcs in one Carton	Carton Size	Carton Weight	GTIN 14 for Carton
ASD-LMPJBR-GB-4D9CC-WH	810050730891	-	-	-	-	12	16.5" x 11.6" x 6.7"	13.2 lb	30810050730892
ASD-LMPJBR-GB-4D9CC-BZ	810050730907	6	15.7" x 5.5" x 5.9"	6.1 lb	10810050730904	12	16.5" x 11.6" x 6.7"	13.2 lb	20810050730901
ASD-LMPJBR-GB-6D12CC-WH	810050730914	-	-	-	-	12	17.9" x 9.4" x 17.3"	22.6 lb	30810050730915
ASD-LMPJBR-GB-6D12CC-BZ	810050730921	6	16.5" x 11.6" x 6.7"	10.6 lb	10810050730928	12	17.9" x 9.4" x 17.3"	22.6 lb	20810050730925

ACCESSORIES:

Model	Name	Materials	Weight	Dimensions	UPC
ASD-MPLR-346-SC	New construction mounting plate with round holes and sliding clips	Iron	1.1 lb	14 3/8" x 10 9/16" x 1 5/8"	810050731577
ASD-MPLR-346-FA	New construction flat mounting plate with an asymmetric round hole	Iron	0.9 lb	13 1/4" x 9 1/16"	810050733854
ASD-MPLR-346-FS	New construction flat mounting plate with a symmetric round hole	Iron	1 lb	26" x 8 1/4"	810050733878

Model	Pcs. in middle box	Middle box Size	Middle box Weight	GTIN 14 in Middle box	Pcs. per Carton	Carton Size	Carton Weight	GTIN 14 in Carton
ASD-MPLR-346-SC	6	15" x 11.2" x 7.5"	7.7 lb	10810050731574	12	23.2" x 15.6" x 8.3"	17 lb	20810050731571
ASD-MPLR-346-FA	6	9.3" x 0.6" x 13.6"	5.6 lb	10810050733851	24	14.4" x 9.8" x 3.1"	22.5 lb	20810050733858
ASD-MPLR-346-FS	6	8.5" x 0.6" x 26.4"	6.1 lb	10810050733875	24	27.2" x 9.1" x 3.1"	25.2 lb	20810050733872

For most up-to-date spec sheets please refer to asd-lighting.com

ASD LIGHTING CORP

E-mail: orders@asd-lighting.com | Web site: www.asd-lighting.com

