



LED BACK-LIT FLAT PANEL

► **DESIGN** - LED BACK-LIT FLAT PANEL comes with a durable commercial grade housing resistant to rust and impact, anti-corrosion aluminum seamless rigid frame, anti-glare PC lens, and 0-10V dimmable driver with circuit overload, short circuit, and low-voltage protection, making it both safe and reliable. It is designed to operate on 120-277V circuits with a 0-10V dimmable driver.

► **COLOR AND POWER SELECTABLE** - You can choose either a 3,500K neutral white, 4,000K cool white or 5,000K daylight color temperature and change the power with a simple switch.

► **BATTERY BACK-UP** - The built-in battery back-up provide 90 minutes of power in case of emergency.

► **INSTALLATION** - This fixture has three different mounting options: recessed, suspended, and surface.

► **APPLICATION** - Perfect commercial or industrial solution for offices, hospitals, schools, retail, workshops, and many other applications. It is also Damp Locations rated.

► **ADVANTAGES** - With calculated lifespan up to 180,000 hours, these fixtures are made to last decades under normal operation! ASD provides a 5-year limited warranty along with UL and DLC Premium certifications to guarantee top quality products and safety!

Catalog number	
Notes	
Type	



Model	Type	Watts	Voltage	Dimmable	Lumens	CCT	Finish	Dimensions (LxWxH)	Option
BLP									
ASD-BLP-22A30-4P	2x2	20/25/30W	120-277 V	0-10 V	up to 3,761 lm	3CCT (3,500/4,000/5,000 K)	White	23-3/4" x 23-3/4" x 1-3/8"	-
ASD-BLP-22A40-6P	2x2	25/30/40W	120-277 V	0-10 V	up to 5,511 lm	3CCT (3,500/4,000/5,000 K)	White	23-3/4" x 23-3/4" x 1-7/16"	-
ASD-BLP-24A40-4P	2x4	25/30/40W	120-277 V	0-10 V	up to 5,200 lm	3CCT (3,500/4,000/5,000 K)	White	47-3/4" x 23-3/4" x 1-3/8"	-
ASD-BLP-24A50-6P	2x4	30/40/50W	120-277 V	0-10 V	up to 6,735 lm	3CCT (3,500/4,000/5,000 K)	White	47-3/4" x 23-3/4" x 1-7/16"	-
BLP-EM WITH BATTERY BACK-UP									
ASD-BLP-22A30-EM	2x2	20/25/30W	120-277 V	0-10 V	up to 3,761 lm	3CCT (3,500/4,000/5,000 K)	White	23-3/4" x 23-3/4" x 1-3/8"	Battery back-up 8W
ASD-BLP-24A40-EM	2x4	25/30/40W	120-277 V	0-10 V	up to 5,200 lm	3CCT (3,500/4,000/5,000 K)	White	47-3/4" x 23-3/4" x 1-3/8"	Battery back-up 8W

For detailed luminous flux information please refer to Annex 1, page 3.

ORDERING INFORMATION

Model	UPC	Pcs. per carton	Carton size	Carton weight	GTIN 14
BLP					
ASD-BLP-22A30-4P	810128114479	4	25.2" x 6.2" x 25.6"	20 lbs	-
ASD-BLP-22A40-6P	810128113847	6	25.8" x 11" x 25.8"	34.2 lbs	-
ASD-BLP-24A40-4P	810128114486	4	49.2" x 6.2" x 25.6"	36.7 lbs	-
ASD-BLP-24A50-6P	810128113854	6	49.8" x 11" x 25.8"	67.2 lbs	-
BLP-EM WITH BATTERY BACK-UP					
ASD-BLP-22A30-EM	810128114509	4	24.9" x 7.3" x 24.6"	22.6 lbs	10810128114506
ASD-BLP-24A40-EM	810128114516	4	49" x 7.3" x 24.6"	39.4 lbs	10810128114513

ACCESSORIES:

Model	Description	UPC	Pcs. per carton	Carton size	Carton weight	GTIN 14
ASD-FELP22-L	Surface mounting low frame for 2x2 panels	819201021581	9	25.2" x 6.5" x 7.7"	28.8 lbs	10819201021588
ASD-FELP24-L	Surface mounting low frame for 2x4 panels	819201021598	9	48.8" x 5.9" x 7.7"	45.2 lbs	10819201021595
ASD-CHS4	Ceiling hanging set 39.37"	859961005148	50	10.4" x 10.4" x 7.7"	23.7 lbs	10859961005145

For most up-to-date spec sheets please refer to asd-lighting.com



LED BACK-LIT FLAT PANEL

PRODUCT SPECIFICATIONS:

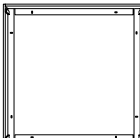
Construction & Materials		
Housing	Steel, Aluminum	
Lens	PS	
Finish	White	
Weight	ASD-BLP-22A30-4P	17.6 lbs (8 kg)
	ASD-BLP-22A40-6P	28 lbs (12.7 kg)
	ASD-BLP-24A40-4P	32.6 lbs (14.8 kg)
	ASD-BLP-24A50-6P	58.6 lbs (26.6 kg)
	ASD-BLP-22A30-EM	5.1 lbs (2.3 kg)
	ASD-BLP-24A40-EM	8.8 lbs (4 kg)
Environmental system		
Work environment	Suitable for Damp Locations	
Operating temperature	-4°F to 122°F (-20°C to 50°C)	
	for 6P models: -4°F to 113°F (-20°C to 45°C)	
L-70 Life	R > 102,000 hrs; C > 180,000 hrs	
	for 6P models: R > 102,000 hrs; C > 158,000 hrs	
Optical system		
Color temperature	3CCT switch (3,500/4,000/5,000 K), 5,000 K by default	
CRI	> 80	
Electrical system		
Input voltage	120-277 V	
Max input current	ASD-BLP-22A30-4P	0.35 A
	ASD-BLP-22A40-6P	0.37 A
	ASD-BLP-24A40-4P	0.42 A
	ASD-BLP-24A50-6P	0.46 A
	ASD-BLP-22A30-EM	0.35 A
	ASD-BLP-24A40-EM	0.42 A
Inrush current (Action time)	75 A (1 S)	for 6P models: 50 A (6 S)
Off state power	0W	
Power consumption	ASD-BLP-22A30-4P	20/25/30W
	ASD-BLP-22A40-6P	25/30/40W
	ASD-BLP-24A40-4P	25/30/40W
	ASD-BLP-24A50-6P	30/40/50W
	ASD-BLP-22A30-EM	20/25/30W
	ASD-BLP-24A40-EM	25/30/40W
Power factor	> 0.9	
Output voltage	30-42 V	for 6P models: 42 V
	ASD-BLP-22A30-4P	0.65/0.54/0.45 A
Max output current	ASD-BLP-22A40-6P	1 A
	ASD-BLP-24A40-4P	0.85/0.65/0.54 A
	ASD-BLP-24A50-6P	1.25 A
	ASD-BLP-22A30-EM	0.65/0.54/0.45 A
	ASD-BLP-24A40-EM	0.85/0.65/0.54 A
	Surge protection DM/CM	2.5 kV / 2.5 kV
Dimming compatible controls		
Brand	Legrand	Lutron
Models	RH4FBL3PW	NTSTV-DV DVSTV DS710 IP710 NFTV
Regular and voluntary certifications		
5-year limited warranty		
DesignLights Consortium (DLC) listed (Classification: Premium)		
Main: Indoor luminaires; General application: Troffer;		
Primary use: Luminaires for ambient lighting of Interior commercial spaces		
UL certified E473854		

PACKAGE CONTENTS:

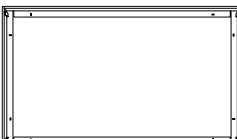
Description	Q-ty
LED Back-Lit Flat Panel	1 (4 for 4P; 6 for 6P)
Box	1

ACCESSORIES (sold separately):

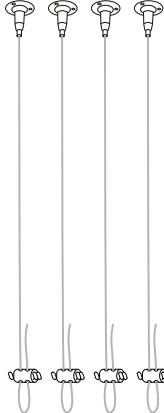
Surface mounting low frame
for 2x2
ASD-FELP22-L



for 2x4
ASD-FELP24-L



Ceiling hanging set 39.37"
ASD-CHS4



ACCESSORY COMPATIBILITY LIST:

Accessories	Surface mounting low frame for 2x2 panels ASD-FELP22-L	Surface mounting low frame for 2x4 panels ASD-FELP24-L	Ceiling hanging set 39.37" ASD-CHS4
Models			
ASD-BLP-22A30-4P	•		•
ASD-BLP-22A40-6P	•		•
ASD-BLP-24A40-4P		•	•
ASD-BLP-24A50-6P		•	•
ASD-BLP-22A30-EM	•		•
ASD-BLP-24A40-EM		•	•

BUILT-IN BATTERY BACK-UP INFORMATION

Model	Battery watts	Lumens in emergency mode	Battery capacity	Emergency mode	Charging time
ASD-BLP-22A30-EM	8W	1,265 lm	2,500 mAh	90 min	≥ 24 hours
ASD-BLP-24A40-EM	8W	1,286 lm	2,500 mAh	90 min	≥ 24 hours

For most up-to-date spec sheets please refer to asd-lighting.com



LED BACK-LIT FLAT PANEL

INSTALLATION GUIDE

IMPORTANT SAFETY INFORMATION:

Please read all the instructions below before installation.

- ▶ Make sure that the supply voltage corresponds to the rated product voltage.
- ▶ The product must be installed by a qualified electrician in accordance with the National Electrical Code and corresponding local codes.
- ▶ If the product is damaged, do not use it.

⚠ WARNING

RISK OF PERSONAL INJURY – READ and follow all WARNINGS and installation instructions. Keep or give to the owner for future reference.

Risk of cuts: Wear gloves to prevent cuts or abrasions when removing from carton, handling, installing, and maintaining this product.

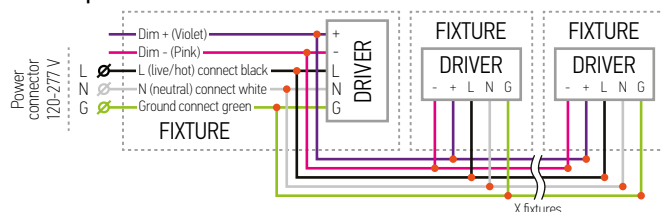
Risk of electric shock: This product must be installed in accordance with the applicable installation code by a person familiar with the construction and operation of the product and the hazards involved.

Risk of Fire: Minimum 194°F supply conductors. Consult a qualified electrician to ensure correct branch circuit conductor.

ASD® assumes no responsibility for claims arising out of improper or careless installation or handling of this product.

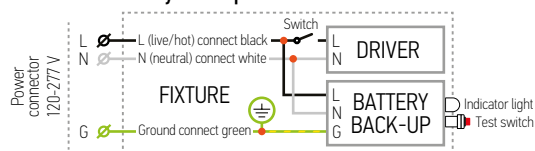
ELECTRICAL SCHEMATIC DIAGRAM:

BLP multiple fixture connection



Linking limits: up to 20 panels can be linked together. Total power of LED Panels shall not exceed the wattage of dimmer.

BLP-EM with battery back-up

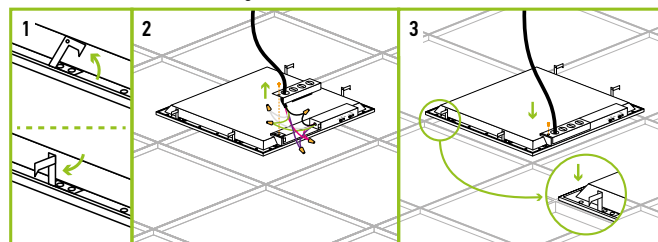


ANNEX 1

Model	Watts	3,500 K	4,000 K	5,000 K
ASD-BLP-22A30-4P ASD-BLP-22A30-EM	20W	2,543 lm	2,681 lm	2,629 lm
	25W	3,068 lm	3,273 lm	3,177 lm
	30W	3,528 lm	3,761 lm	3,633 lm
ASD-BLP-24A40-4P ASD-BLP-24A40-EM	25W	3,288 lm	3,398 lm	3,331 lm
	30W	3,839 lm	3,983 lm	3,891 lm
	40W	4,988 lm	5,200 lm	5,025 lm
ASD-BLP-22A40-6P	25W	3,551 lm	3,672 lm	3,600 lm
	30W	4,034 lm	4,185 lm	4,099 lm
	40W	5,263 lm	5,511 lm	5,335 lm
ASD-BLP-24A50-6P	30W	4,021 lm	4,155 lm	4,101 lm
	40W	5,211 lm	5,436 lm	5,315 lm
	50W	6,419 lm	6,735 lm	6,588 lm

RECESSED MOUNT:

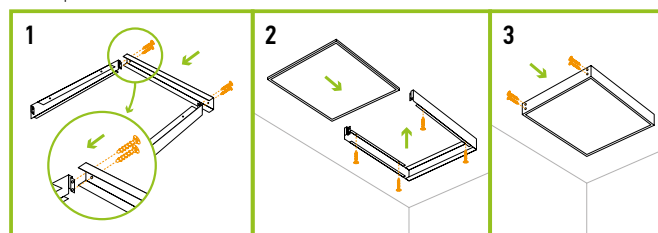
1. Lift all mounting clips along the edges of the panel. Turn the mounting clip head.
2. Remove the knockout hole on box with a screwdriver, remove screw and take out the driver cover. Connect the wires inside the driver box: Black to Black, White to White, Green to Green.
3. Cover the driver box and tighten it with a screwdriver, finish connection.



SURFACE MOUNT

ASD-FELP22-L ASD-FELP24-L sold separately:

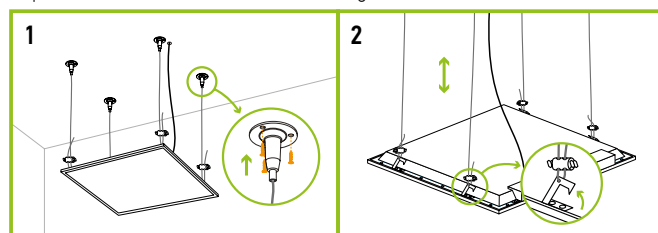
1. Connect 3 pieces of the frame to the ceiling using four screws.
2. Connect the panel wires as shown in electrical schematic diagram and insert panel into frame.
3. Attach the fourth piece and secure with screws. Power on to ensure installation is complete.



* Must remove earthquake hook before installing surface mount frame.

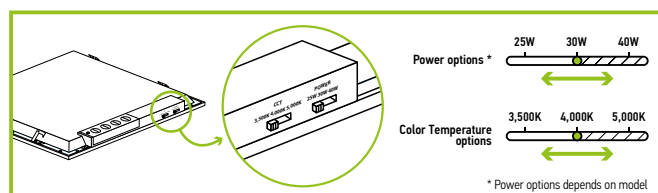
SUSPENDED MOUNT ASD-CHS4 sold separately:

1. Insert the wall plugs (not included) into the ceiling and secure the cable to the ceiling.
2. Lock the suspension cable to the clip. Adjust the cable length to meet the height requirements. Attach the cable to the ceiling.



* For 2x4 installation please use 2 pcs of Ceiling Hanging set.

POWER AND COLOR TEMPERATURE SETTINGS:



For most up-to-date spec sheets please refer to asd-lighting.com