



SMART LED BACK-LIT PANEL

► **DESIGN** - SMART RGBW LED BACK-LIT PANEL comes with a durable commercial grade housing resistant to rust and impact, anti-corrosion aluminum seamless rigid frame, anti-glare PC lens, and 0-10V dimmable driver with circuit overload, short circuit, and low-voltage protection, making it both safe and reliable. It is designed to operate on 120-277V circuits.

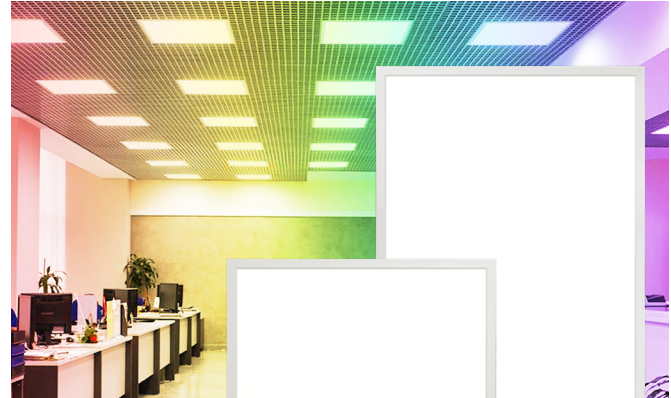
► **RGBW** - The fixture has RGBW design with APP control. You can easily select Red, Green, Blue, White (3,500K-5,000K) colors or its combinations, having 16.7 million colors in total. You can also choose lighting patterns and set up a schedule, having a great variety of good looking effects.

► **SMART CONTROL** - You can easily make grouping and schedule programming of the fixtures with Smart App control. The fixture is also compatible with Alexa and Google Assistant.

► **INSTALLATION** - This fixture has three different mounting options: recessed, suspended, and surface.

► **ADVANTAGES** - With calculated lifespan up to 180,000 hours, these fixtures are made to last decades under normal operation! ASD provides a 5-year limited warranty along with UL and DLC Premium certifications to guarantee top quality products and safety!

Catalog number	
Notes	
Type	



PRODUCT PRESENTATION:

Model	Type	Power	Voltage	Dimming	Lumens	CCT	Finish	Dimensions	Certification
ASD-BLP-22D35SM-RGBW-2P	2x2	35W	120-277 V	SMART APP	up to 4,420 lm	Red-Green-Blue-White-3,500-5,000 K	White	23-3/4" x 23-3/4" x 1-3/8"	UL, DLC Premium, FCC
ASD-BLP-24D40SM-RGBW-2P	2x4	40W	120-277 V	SMART APP	up to 4,961 lm	Red-Green-Blue-White-3,500-5,000 K	White	47-3/4" x 23-3/4" x 1-3/8"	UL, DLC Premium, FCC

For detailed luminous flux information please refer to Annex 1, page 2.

TRANSPORTATION DATA

Application area	Series	Model	Product dimensions	Weight	Pcs. per carton	Carton size	Carton weight	UPC
COMMERCIAL	BLP-SMART-RGBW	ASD-BLP-22D35SM-RGBW-2P	23-3/4" x 23-3/4" x 1-3/8"	8.4 lbs (3.8 kg)	4	24.6" x 24.8" x 3.2"	10.6 lbs	810128116640
		ASD-BLP-24D40SM-RGBW-2P	47-3/4" x 23-3/4" x 1-3/8"	15 lbs (6.8 kg)	4	48.6" x 24.8" x 3.2"	18.1 lbs	810128116664

ACCESSORIES:

Model	Description	UPC	Pcs. per carton	Carton size	Carton weight	GTIN 14
ASD-FELP22-L	Surface mounting low frame for 2x2 panels	819201021581	9	25.2" x 6.5" x 7.7"	28.8 lbs	10819201021588
ASD-FELP24-L	Surface mounting low frame for 2x4 panels	819201021598	9	48.8" x 5.9" x 7.7"	45.2 lbs	10819201021595
ASD-CHS4	Ceiling hanging set 39.37"	859961005148	50	10.4" x 10.4" x 7.7"	23.7 lbs	10859961005145

For most up-to-date spec sheets please refer to asd-lighting.com



SMART LED BACK-LIT PANEL

TECHNICAL PARAMETERS:

Application area	Series	Model	Work environment	Operating temperature	Power factor	Housing	Lens	CRI
COMMERCIAL	BLP-SMART-RGBW	ASD-BLP-22D35SM-RGBW-2P	Suitable for Damp Locations	-4°F to 104°F (-20°C to 40°C)	> 0,9	Aluminum	PS	> 80
		ASD-BLP-24D40SM-RGBW-2P	Suitable for Damp Locations	-4°F to 104°F (-20°C to 40°C)	> 0,9	Aluminum	PS	> 80

PACKAGE CONTENTS:

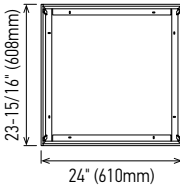
Description	Quantity
Smart RGBW LED Back-Lit Flat Panel	2
Remote control	1
Box	1

ANNEX 1

Model	Watts	3,500 K	4,000 K	5,000 K
ASD-BLP-22D35SM-RGBW-2P	35W	4,368 lm	4,420 lm	4,282 lm
ASD-BLP-24D40SM-RGBW-2P	40W	4,831 lm	4,918 lm	4,961 lm

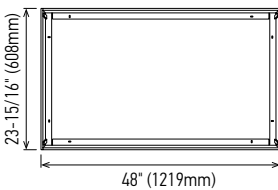
ACCESSORIES (sold separately):

Surface mounting low frame for 2x2
ASD-FELP22-L



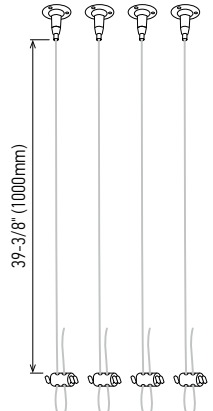
23-15/16" (608mm)
24" (610mm)

for 2x4
ASD-FELP24-L



23-15/16" (608mm)
48" (1219mm)

Ceiling hanging set 39.37"
ASD-CHS4



39-3/8" (1000mm)

INSTALLATION GUIDE

IMPORTANT SAFETY INFORMATION:

Please read all the instructions below before installation!

- ▶ Make sure that the supply voltage corresponds to the rated product voltage.
- ▶ The product must be installed by a qualified electrician in accordance with the National Electrical Code and corresponding local codes.
- ▶ If the product is damaged, do not use it.

⚠ WARNING

Risk of personal injury – read and follow all warnings and installation instructions. Keep or give to the owner for future reference.

Risk of cuts: Wear gloves to prevent cuts or abrasions when removing from carton, handling, installing, and maintaining this product.

Risk of electric shock: This product must be installed in accordance with the applicable installation code by a person familiar with the construction and operation of the product and the hazards involved.

Risk of Fire: Minimum 194°F supply conductors. Consult a qualified electrician to ensure correct branch circuit conductor.

ASD® assumes no responsibility for claims arising out of improper or careless installation or handling of this product.

ACCESSORY COMPATIBILITY LIST:

Models	Accessories		
	Surface mounting low frame for 2x2 panels ASD-FELP22-L	Surface mounting low frame for 2x4 panels ASD-FELP24-L	Ceiling hanging set 39.37" ASD-CHS4
ASD-BLP-22D35SM-RGBW-2P	●		●
ASD-BLP-24D40SM-RGBW-2P		●	●

For most up-to-date spec sheets please refer to asd-lighting.com



SMART LED BACK-LIT PANEL

STEP-BY-STEP GUIDE FOR ADDING NEW DEVICES TO THE ASD SMART APP:

1. Download the ASD SMART APP from the App Store (for IOS) or from the Google Play Store (for Android) using the QR codes below.

[ASD SMART APP download Android](#)

[ASD SMART APP download iOS](#)



2. Connect the fixture to a power source, then prepare the fixture for pairing:
 - If the fixture is blinking: It's already in pairing mode. Skip to Step 4.
 - If the fixture is not blinking: Go to Step 3 to manually enter pairing mode.
3. Manually put the fixture in pairing mode:
 - Turn the fixture on and off 5 times. The interval between turning on and off should be at least one second.
 - The fixture will start blinking, signaling it's in pairing mode. The blinking might stop after a few seconds, but it will still be in pairing mode.
4. Adding the fixture to the App:
 - Ensure Bluetooth is enabled and your phone is connected to a Wi-Fi network with internet access.
 - Open the ASD SMART APP.
 - At the top of the App, select the area where the new fixture will be located.
 - Tap the "+" button in the top right corner, then select "Add device".
 - Wait for the App to detect the fixture. Once it appears, tap "Add".
 - Enter your Wi-Fi credentials when prompted.
 - Once the fixture is successfully added, tap "Done" to complete the setup.

FAQ:

1. I can't see the device in the App:

Ensure the smart device is plugged in, Wi-Fi and Bluetooth are enabled on your mobile device, and your network hasn't reached its device limit.

If you're still having trouble:

- Keep the fixtures in pairing mode and reset your router.
- Verify that your Wi-Fi network is 2.4 GHz, as smart devices require this frequency.
- Ensure your smart device is within Wi-Fi range (approximately 5-10ft indoors).

2. "Time out" error when connecting the device:

- On the App homepage, tap the "Me" icon in the lower right corner.
- In the upper right corner of the next screen, tap the "Settings" icon.
- Scroll to the bottom of the settings page to check the current storage occupied by the App cache.
- Close the App, reboot your phone, and try re-adding the device.

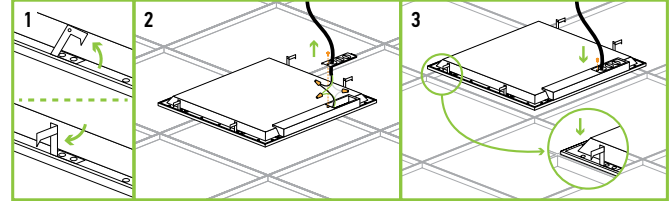
3. I can't control multiple devices at once.

Ensure you are not attempting to group different types of devices (for example, a wall sconce and a security camera). Only devices of the same type can be grouped and controlled together.

To learn more about the App, check out the instructions at this [link](#).

RECESSED MOUNT INSTALLATION:

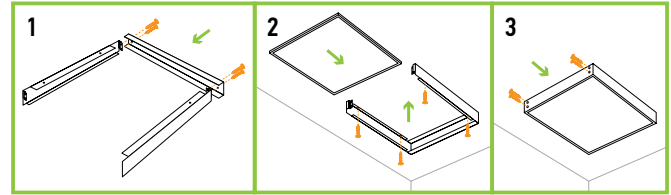
1. Lift all mounting clips along the edges of the panel. Turn the mounting clip head.
2. Remove the knockout hole on box with a screwdriver, remove screw and take out the driver cover. Connect the wires inside the driver box: Black to Black, White to White, Green to Green.
3. Cover the driver box and tighten it with a screwdriver, finish connection.



SURFACE MOUNT INSTALLATION

ASD-FELP22-L ASD-FELP24-L sold separately:

1. Connect 3 pieces of the frame to the ceiling using four screws.
2. Connect the panel wires as shown in electrical schematic diagram and insert panel into frame.
3. Attach the fourth piece and secure with screws. Power on to ensure installation is complete.

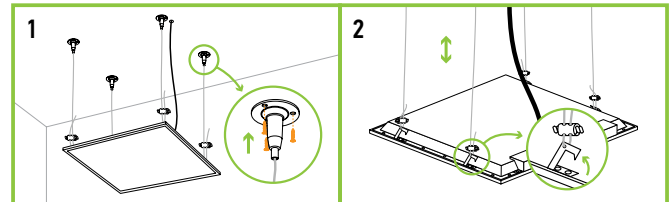


* Must remove earthquake hook before installing surface mount frame.

SUSPENDED MOUNT INSTALLATION

ASD-CHS4 sold separately:

1. Insert the wall plugs (not included) into the ceiling and secure the cable to the ceiling.
2. Lock the suspension cable to the clip. Adjust the cable length to meet the height requirements. Attach the cable to the ceiling.



* For 2x4 installation please use 2 pcs of Ceiling Hanging set.

For most up-to-date spec sheets please refer to asd-lighting.com