



LED DOWNLIGHT 1INCH & 2INCH

► **DESIGN** - LED DOWNLIGHT 1INCH & 2INCH comes with a durable airtight aluminum housing with excellent heat dissipation, multifaceted specular reflector with a 38° beam angle, anti-glare PC lens, and spring-loaded clips. It is designed to operate on 120V or 120-277V circuits.

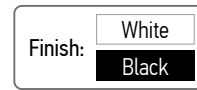
► **COLOR SELECTABLE** - You can choose either a 2,700K soft white, 3,000K warm white, 3,500K neutral white, 4,000K cool white, or 5,000K daylight color temperature.

► **CRI90+** - rating provides rich and natural colors and keeps your space looking and feeling vibrant. True bright colors also improve your mood and general health.

► **INSTALLATION** - This fixture is IC rated so there is no can or any other housing required. It is also Wet Locations rated, making it perfect for any spaces with humidity requirements. Perfect for retail, hospitality, or any other commercial space with a high ceiling.

► **ADVANTAGES** - With a lifespan of 50,000 hours, these fixtures are made to last decades under normal operation! ASD provides a 5-year limited warranty along with ETL and Energy Star certifications to guarantee top quality products and safety!

Catalog number	
Notes	
Type	



REFLECTOR: WHITE
TRIM: WHITE



REFLECTOR: BLACK
TRIM: BLACK



REFLECTOR: CHROME
TRIM: WHITE



REFLECTOR: CHROME
TRIM: BLACK

Model	Size	Type	Watts	Voltage	Dimmable	Lumens	CCT	Reflector color	Trim color	Dimensions (LxH)
CD-P										
ASD-CD-PR-1D7AC-WH	1 inch	Round	7W	120 V	TRIAC	up to 550 lm	5CCT (2,700/3,000/3,500/4,000/5,000 K)	White	White	2-3/8" x 3-3/8"
ASD-CD-PR-1D7AC-BK	1 inch	Round	7W	120 V	TRIAC	up to 550 lm	5CCT (2,700/3,000/3,500/4,000/5,000 K)	Black	Black	2-3/8" x 3-3/8"
ASD-CD-PS-1D7AC-WH	1 inch	Square	7W	120 V	TRIAC	up to 560 lm	5CCT (2,700/3,000/3,500/4,000/5,000 K)	White	White	2-3/8" x 3-3/8"
ASD-CD-PS-1D7AC-BK	1 inch	Square	7W	120 V	TRIAC	up to 560 lm	5CCT (2,700/3,000/3,500/4,000/5,000 K)	Black	Black	2-3/8" x 3-3/8"
ASD-CD-PR-2D8AC-WH	2 inch	Round	8W	120 V	TRIAC	up to 649 lm	5CCT (2,700/3,000/3,500/4,000/5,000 K)	White	White	3-1/8" x 2-3/4"
ASD-CD-CR-2D8AC-CH/WH	2 inch	Round	8W	120 V	TRIAC	up to 609 lm	5CCT (2,700/3,000/3,500/4,000/5,000 K)	Chrome	White	3-1/8" x 2-15/16"
ASD-CD-CR-2D8AC-CH/BK	2 inch	Round	8W	120 V	TRIAC	up to 609 lm	5CCT (2,700/3,000/3,500/4,000/5,000 K)	Chrome	Black	3-1/8" x 2-15/16"
ASD-CD-PR-2D8AC-BK	2 inch	Round	8W	120 V	TRIAC	up to 649 lm	5CCT (2,700/3,000/3,500/4,000/5,000 K)	Black	Black	3-1/8" x 2-3/4"
ASD-CD-PR-2D15AC-WH	2 inch	Round	15W	120 V	TRIAC	up to 1,110 lm	5CCT (2,700/3,000/3,500/4,000/5,000 K)	White	White	3-1/8" x 4-15/16"
ASD-CD-PR-MV-2D15AC-WH	2 inch	Round	15W	120-277 V	0-10 V	up to 1,087 lm	5CCT (2,700/3,000/3,500/4,000/5,000 K)	White	White	3-1/8" x 4-15/16"
ASD-CD-CR-2D15AC-CH/WH	2 inch	Round	15W	120 V	TRIAC	up to 1,011 lm	5CCT (2,700/3,000/3,500/4,000/5,000 K)	Chrome	White	3-1/8" x 4-15/16"
ASD-CD-CR-2D15AC-CH/BK	2 inch	Round	15W	120 V	TRIAC	up to 1,011 lm	5CCT (2,700/3,000/3,500/4,000/5,000 K)	Chrome	Black	3-1/8" x 4-15/16"
ASD-CD-PR-2D15AC-BK	2 inch	Round	15W	120 V	TRIAC	up to 1,110 lm	5CCT (2,700/3,000/3,500/4,000/5,000 K)	Black	Black	3-1/8" x 4-15/16"
ASD-CD-PS-2D8AC-WH	2 inch	Square	8W	120 V	TRIAC	up to 615 lm	5CCT (2,700/3,000/3,500/4,000/5,000 K)	White	White	3-1/8" x 2-13/16"
ASD-CD-PS-2D8AC-BK	2 inch	Square	8W	120 V	TRIAC	up to 615 lm	5CCT (2,700/3,000/3,500/4,000/5,000 K)	Black	Black	3-1/8" x 2-13/16"
ASD-CD-PS-2D15AC-WH	2 inch	Square	15W	120 V	TRIAC	up to 1,103 lm	5CCT (2,700/3,000/3,500/4,000/5,000 K)	White	White	3-1/8" x 4-15/16"
ASD-CD-PS-2D15AC-BK	2 inch	Square	15W	120 V	TRIAC	up to 1,103 lm	5CCT (2,700/3,000/3,500/4,000/5,000 K)	Black	Black	3-1/8" x 4-15/16"
CD-PW WITH WALL WASHER TRIM										
ASD-CD-PWR-2D8AC-WH	2 inch	Round	8W	120 V	TRIAC	up to 416 lm	5CCT (2,700/3,000/3,500/4,000/5,000 K)	White	White	3-1/8" x 2-13/16"

For detailed luminous flux information please refer to Annex 1, page 5.

For most up-to-date spec sheets please refer to asd-lighting.com



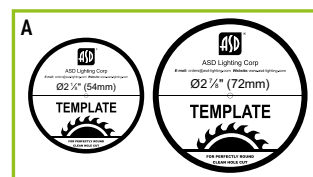
LED DOWNLIGHT 1 INCH & 2 INCH

PRODUCT SPECIFICATIONS:

Construction & Materials						
Housing	Aluminum					
Lens	PC					
Reflector color	White, Chrome, Black					
Trim color	White, Black					
Weight	ASD-CD-PR-1D7AC-WH	0.8 lbs (0.4 kg)	ASD-CD-CR-2D8AC-CH/BK	0.8 lbs (0.4 kg)	ASD-CD-PR-2D15AC-BK	1.2 lbs (0.5 kg)
	ASD-CD-PR-1D7AC-BK		ASD-CD-PR-2D8AC-BK	1 lbs (0.5 kg)	ASD-CD-PS-2D8AC-WH	1 lbs (0.5 kg)
	ASD-CD-PS-1D7AC-WH	1.2 lbs (0.5 kg)	ASD-CD-PR-2D15AC-WH	1.2 lbs (0.5 kg)	ASD-CD-PS-2D8AC-BK	1.2 lbs (0.5 kg)
	ASD-CD-PS-1D7AC-BK		ASD-CD-PR-MV-2D15AC-WH	1.2 lbs (0.5 kg)	ASD-CD-PS-2D15AC-WH	
	ASD-CD-PR-2D8AC-WH	1 lbs (0.5 kg)	ASD-CD-CR-2D15AC-CH/WH	1.3 lbs (0.6 kg)	ASD-CD-PS-2D15AC-BK	1.2 lbs (0.5 kg)
ASD-CD-CR-2D8AC-CH/WH	0.8 lbs (0.4 kg)	ASD-CD-CR-2D15AC-CH/BK	ASD-CD-PWR-2D8AC-WH		0.8 lbs (0.4 kg)	
Environmental system						
Work environment	Suitable for Wet Locations					
Operating temperature	-4°F to 104°F (-20°C to 40°C)					
L-70 Life	> 50,000 hrs					
Optical system						
Color temperature	5CCT switch (2,700/3,000/3,500/4,000/5,000 K), 5,000 K by default					
CRI	> 90					
Electrical system						
Input voltage	120 V for MV model: 120-277 V					
Max input current	ASD-CD-PR-1D7AC-WH	0.08 A	ASD-CD-CR-2D8AC-CH/BK	0.08 A	ASD-CD-PR-2D15AC-BK	0.15 A
	ASD-CD-PR-1D7AC-BK		ASD-CD-PR-2D8AC-BK	0.15 A	ASD-CD-PS-2D8AC-WH	0.08 A
	ASD-CD-PS-1D7AC-WH		ASD-CD-PR-2D15AC-WH		ASD-CD-PS-2D8AC-BK	
	ASD-CD-PS-1D7AC-BK		ASD-CD-PR-MV-2D15AC-WH	0.12 A	ASD-CD-PS-2D15AC-WH	0.15 A
	ASD-CD-PR-2D8AC-WH		ASD-CD-CR-2D15AC-CH/WH	0.15 A	ASD-CD-PS-2D15AC-BK	
ASD-CD-CR-2D8AC-CH/WH	ASD-CD-CR-2D15AC-CH/BK	ASD-CD-PWR-2D8AC-WH	0.08 A			
Inrush current (Action time)	4 A (0.5 S)		for MV model: 10 A (0.5 S)			
Off state power	0W					
Power consumption	ASD-CD-PR-1D7AC-WH	7W	ASD-CD-CR-2D8AC-CH/BK	8W	ASD-CD-PR-2D15AC-BK	15W
	ASD-CD-PR-1D7AC-BK		ASD-CD-PR-2D8AC-BK		ASD-CD-PS-2D8AC-WH	8W
	ASD-CD-PS-1D7AC-WH		ASD-CD-PR-2D15AC-WH	15W	ASD-CD-PS-2D8AC-BK	15W
	ASD-CD-PS-1D7AC-BK	ASD-CD-PR-MV-2D15AC-WH	ASD-CD-PS-2D15AC-WH			
	ASD-CD-PR-2D8AC-WH	ASD-CD-CR-2D15AC-CH/WH	ASD-CD-PS-2D15AC-BK			
ASD-CD-CR-2D8AC-CH/WH	ASD-CD-CR-2D15AC-CH/BK	ASD-CD-PWR-2D8AC-WH	8W			
Power factor	> 0.9					
Output voltage	36 V					
Max output current	ASD-CD-PR-1D7AC-WH	0.16 A	ASD-CD-CR-2D8AC-CH/BK	0.18 A	ASD-CD-PR-2D15AC-BK	0.32 A
	ASD-CD-PR-1D7AC-BK		ASD-CD-PR-2D8AC-BK		ASD-CD-PS-2D8AC-WH	0.27 A
	ASD-CD-PS-1D7AC-WH		ASD-CD-PR-2D15AC-WH	0.32 A	ASD-CD-PS-2D8AC-BK	0.32 A
	ASD-CD-PS-1D7AC-BK	ASD-CD-PR-MV-2D15AC-WH	ASD-CD-PS-2D15AC-WH			
	ASD-CD-PR-2D8AC-WH	ASD-CD-CR-2D15AC-CH/WH	ASD-CD-PS-2D15AC-BK			
ASD-CD-CR-2D8AC-CH/WH	ASD-CD-CR-2D15AC-CH/BK	ASD-CD-PWR-2D8AC-WH	0.18 A			
Surge protection DM/CM	2.5 kV / 2.5 kV					
Dimming compatible controls for TRIAC						
Brand	Lutron		Leviton		Cooper	
Models	DMD-LE3-D	DVCL-153P	PD-6WCL	IPL06-10Z	6672	SI06P
	SFTU-5A3P	CTCL-153P	DV-600P	DSL06	6621	
Dimming compatible controls for 0-10 V						
Brand	Lutron		Philips	Leviton	Lightolier Controls	Watt Stopper
Models	Nova T - NTFTV	Divva - NFTV	Divva - DVTV	Sunrise - SR1200ZTUNV	Illumitech - IP7	ZP600FAM120
DCLV1						
Regular and voluntary certifications						
5-year limited warranty						
cETLus certified 5003560						

PACKAGE CONTENTS:

Description	Q-ty
LED Downlight 1inch or LED Downlight 2inch	1
Template for 1 or 2 inch (A)	1
Box	1

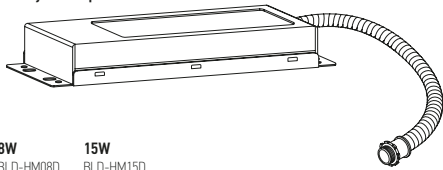
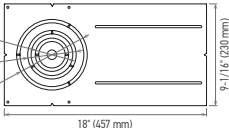
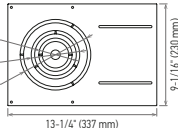
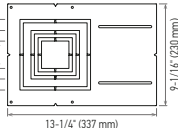
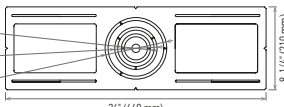
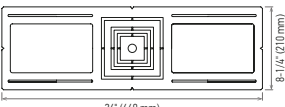
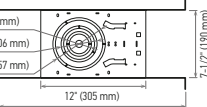
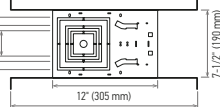


For most up-to-date spec sheets please refer to asd-lighting.com



LED DOWNLIGHT 1 INCH & 2 INCH

ACCESSORIES (sold separately):

<p>Battery back-up kit</p>  <p>8W BLD-HM08D 15W BLD-HM15D</p>	<p>New construction flat mounting plate 18" with asymmetric round holes 3-4-6" ASD-MPLR18-346-FA</p>  <p>2-15/16" (75 mm) 4-1/4" (108 mm) 6-3/16" (157 mm) 18" (457 mm) 9-1/16" (230 mm)</p>	<p>New construction flat mounting plate with asymmetric round holes 3-4-6" ASD-MPLR-346-FA</p>  <p>2-15/16" (75 mm) 4-1/4" (108 mm) 6-3/16" (157 mm) 13-1/4" (337 mm) 9-1/16" (230 mm)</p>	<p>New construction flat mounting plate with asymmetric square holes 3-4-6" ASD-MPLS-346-FA</p>  <p>6-1/8" (156 mm) 4-5/16" (110 mm) 2-15/16" (75 mm) 13-1/4" (337 mm) 9-1/16" (230 mm)</p>
<p>New construction flat mounting plate with symmetric round holes 3-4-6" ASD-MPLR-346-FS</p>  <p>2-15/16" (75 mm) 4-1/4" (108 mm) 6-3/16" (157 mm) 26" (660 mm) 8-1/4" (210 mm)</p>	<p>New construction flat mounting plate with symmetric square holes 3-4-6" ASD-MPLS-346-FS</p>  <p>6-1/8" (156 mm) 4-5/16" (110 mm) 2-15/16" (75 mm) 26" (660 mm) 8-1/4" (210 mm)</p>	<p>New construction mounting plate with round holes and sliding clips 3-4-6" ASD-MPLR-346-SC</p>  <p>2-7/8" (73 mm) 4-3/16" (106 mm) 6-3/16" (157 mm) 12" (305 mm) 7-1/2" (190 mm)</p>	<p>New construction mounting plate with square holes and sliding clips 3-4-6" ASD-MPLS-346-SC</p>  <p>6-1/8" (156 mm) 4-5/16" (110 mm) 2-15/16" (75 mm) 12" (305 mm) 7-1/2" (190 mm)</p>

ACCESSORY COMPATIBILITY LIST:

Models	Accessories	Battery back-up kit 8W	Battery back-up kit 15W	New construction flat mounting plate with asymmetric round holes 3-4-6"	New construction flat mounting plate 18" with asymmetric round holes 3-4-6"	New construction flat mounting plate with asymmetric square holes 3-4-6"	New construction flat mounting plate with symmetric round holes 3-4-6"	New construction flat mounting plate with symmetric square holes 3-4-6"	New construction mounting plate with round holes and sliding clips 3-4-6"	New construction mounting plate with square holes and sliding clips 3-4-6"
		BLD-HM08D	BLD-HM15D	ASD-MPLR-346-FA	ASD-MPLR18-346-FA	ASD-MPLS-346-FA	ASD-MPLR-346-FS	ASD-MPLS-346-FS	ASD-MPLR-346-SC	ASD-MPLS-346-SC
ASD-CD-PR	1"	•	•							
	2" (8W)	•	•	•	•		•		•	
ASD-CD-PR-MV	2" (15W)	•	•	•	•		•		•	
	2"	•	•	•	•		•		•	
ASD-CD-CR	2" (8W)	•	•	•	•		•		•	
	2" (15W)	•	•	•	•		•		•	
ASD-CD-PS	1"	•	•	•	•		•		•	
	2" (8W)	•	•	•	•	•	•	•	•	•
ASD-CD-PWR	2" (15W)	•	•	•	•	•	•	•	•	•
	2"	•	•	•	•	•	•	•	•	•

BATTERY BACK-UP KIT INFORMATION

BLD-HM08D **BLD-HM15D** sold separately

Specifications	model: BLD-HM08D	model: BLD-HM15D
Input voltage	120-347 Vac, 50/60 Hz	
Input current	≤ 100 mA	
Output voltage	≤ 170 Vdc	≤ 175 Vdc
Output power	8W	15W
Lumen	800 lm	1,000 lm
Application	< 60W (0-10 V)	< 100W (0/1-10 V)
Ambient temperature	32°F to 122°F (0°C to 50°C)	

For most up-to-date spec sheets please refer to asd-lighting.com



LED DOWNLIGHT 1 INCH & 2 INCH

INSTALLATION GUIDE

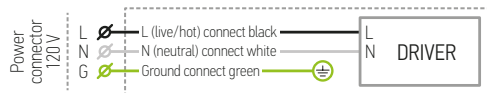
IMPORTANT SAFETY INFORMATION:

Please read all the instructions below before installation!

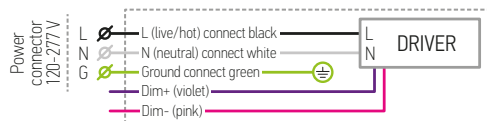
- ▶ Make sure that the supply voltage corresponds to the rated product voltage.
- ▶ The product must be installed by a qualified electrician in accordance with the National Electrical Code and corresponding local codes.
- ▶ If the product is damaged, do not use it.

ELECTRICAL SCHEMATIC DIAGRAM:

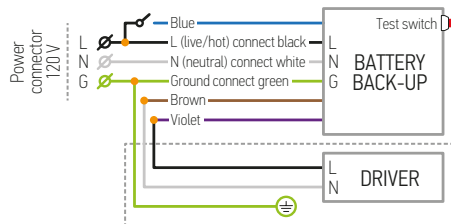
CD-P:



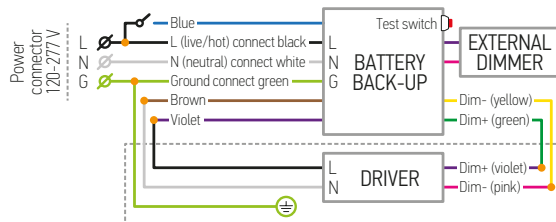
CD-P-MV:



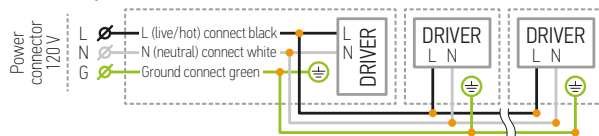
CD-P with battery back-up kit:



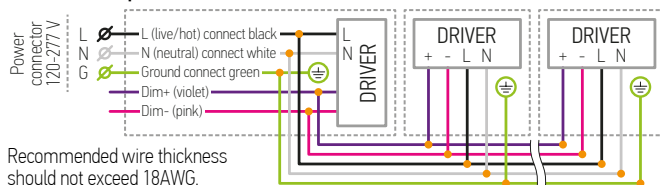
CD-P-MV with battery back-up kit:



CD-P multiple fixture connection:



CD-P-MV multiple fixture connection:



Recommended wire thickness should not exceed 18AWG.

⚠ WARNING

Risk of personal injury – read and follow all warnings and installation instructions. Keep or give to the owner for future reference.

Risk of cuts: Wear gloves to prevent cuts or abrasions when removing from carton, handling, installing, and maintaining this product.

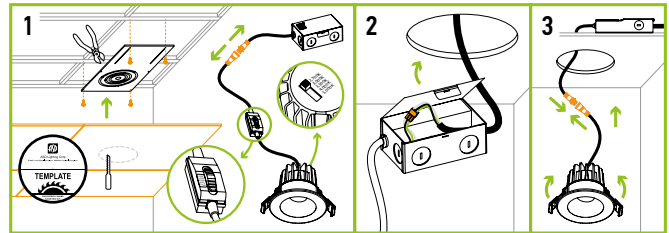
Risk of electric shock: This product must be installed in accordance with the applicable installation code by a person familiar with the construction and operation of the product and the hazards involved.

Risk of Fire: Minimum 194°F supply conductors. Consult a qualified electrician to ensure correct branch circuit conductor.

ASD® assumes no responsibility for claims arising out of improper or careless Installation or handling of this product.

INSTALLATION STEPS:

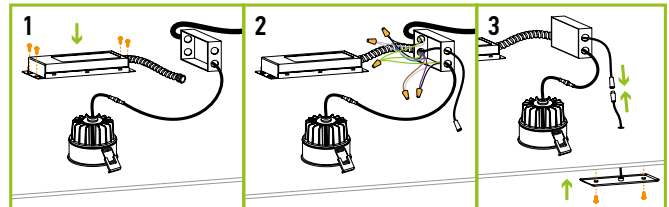
1. Remove 3 inch central circle on the mounting plate. Place the mounting plate and secure its position with the screws on the beams. Install drywall board. Cut a hole in the ceiling using template (included). Disconnect the fixture from the junction box. Choose needed color temperature by adjusting the switch on the fixture or on the cord.
2. Connect the wires: Black to Black, White to White, Green to Green. Put the driver box above the ceiling through the hole in the frame.
3. Connect driver box and fixture using quick connector, fold up the two spring mounting tabs and release as the fixture is placed into the mounting hole.



BATTERY BACK-UP KIT INSTALLATION

BLD-HM08D **BLD-HM15D** sold separately:

1. Secure the battery back-up to the ceiling.
2. Connect wires as shown on electrical diagram.
3. Connect test switch and secure it in the hole on surface.



For most up-to-date spec sheets please refer to asd-lighting.com



LED DOWNLIGHT 1 INCH & 2 INCH

ORDERING INFORMATION

Model	UPC	Pcs. per carton	Carton size	Carton weight	GTIN 14
CD-P					
ASD-CD-PR-1D7AC-WH	810128111225	24	17.1" x 15.4" x 8.9"	25.1 lbs	20810128111229
ASD-CD-PR-1D7AC-BK	810128111232	24	17.1" x 15.4" x 8.9"	25.1 lbs	20810128111236
ASD-CD-PS-1D7AC-WH	810128111263	24	17.1" x 15.4" x 8.9"	25.1 lbs	20810128111267
ASD-CD-PS-1D7AC-BK	810128111270	24	17.1" x 15.4" x 8.9"	25.1 lbs	20810128111274
ASD-CD-PR-2D8AC-WH	810050736541	18	14.8" x 10.8" x 13.4"	21.5 lbs	10810050736548
ASD-CD-CR-2D8AC-CH/WH	810050737920	18	14.8" x 10.8" x 13.4"	19 lbs	10810050737927
ASD-CD-CR-2D8AC-CH/BK	810050737913	18	14.8" x 10.8" x 13.4"	19 lbs	10810050737910
ASD-CD-PR-2D8AC-BK	810128111201	18	14.8" x 10.8" x 13.4"	21.5 lbs	10810128111208
ASD-CD-PR-2D15AC-WH	810050736565	18	13" x 12.8" x 18.1"	26.8 lbs	10810050736562
ASD-CD-PR-MV-2D15AC-WH	810050739481	18	13" x 12.8" x 18.1"	26.8 lbs	10810050739488
ASD-CD-CR-2D15AC-CH/WH	810050737944	18	13" x 12.8" x 18.1"	27.6 lbs	10810050737941
ASD-CD-CR-2D15AC-CH/BK	810050737937	18	13" x 12.8" x 18.1"	27.6 lbs	10810050737934
ASD-CD-PR-2D15AC-BK	810128111218	18	13" x 12.8" x 18.1"	26.8 lbs	10810128111215
ASD-CD-PS-2D8AC-WH	810050736572	18	14.8" x 10.8" x 13.4"	21.5 lbs	10810050736579
ASD-CD-PS-2D8AC-BK	810128111249	18	14.8" x 10.8" x 13.4"	21.5 lbs	10810128111246
ASD-CD-PS-2D15AC-WH	810050736589	18	13" x 12.8" x 18.1"	26.8 lbs	10810050736586
ASD-CD-PS-2D15AC-BK	810128111256	18	13" x 12.8" x 18.1"	26.8 lbs	10810128111253
CD-PW WITH WALL WASHER TRIM					
ASD-CD-PWR-2D8AC-WH	810128112406	18	14.8" x 10.8" x 13.4"	19 lbs	10810128112403

ACCESSORIES:

Model	Description	UPC	Pcs. (pack) per carton	Carton size	Carton weight	GTIN 14
BLD-HM08D	Battery back-up kit 8W	810128111508	10	17.1" x 14.6" x 11"	19.6 lbs	10810128111505
BLD-HM15D	Battery back-up kit 15W	810050734882	10	17.8" x 13.5" x 9.5"	25.1 lbs	10810050734889
ASD-MPLR-346-FA-6PACK	New construction flat mounting plate with asymmetric round holes 3-4-6"	810050739344	24 (4)	14.4" x 9.8" x 3.2"	18.1 lbs	10810050739341
ASD-MPLR18-346-FA-6PACK	New construction flat mounting plate 18" with asymmetric round holes 3-4-6"	810128112826	24 (4)	18.9" x 9.8" x 3.2"	32.9 lbs	10810128112823
ASD-MPLS-346-FA-6PACK	New construction flat mounting plate with asymmetric square holes 3-4-6"	810128110303	24 (4)	14.4" x 9.8" x 3.2"	17.7 lbs	10810128110300
ASD-MPLR-346-FS-6PACK	New construction flat mounting plate with symmetric round holes 3-4-6"	810050739351	24 (4)	27" x 9.1" x 3.2"	21 lbs	10810050739358
ASD-MPLS-346-FS-6PACK	New construction flat mounting plate with symmetric square holes 3-4-6"	810128110310	24 (4)	27" x 9.1" x 3.2"	20.7 lbs	10810128110317
ASD-MPLR-346-SC-6PACK	New construction mounting plate with round holes and sliding clips 3-4-6"	810050739337	12(2)	17.3" x 11.9" x 13.4"	17 lbs	10810050739334
ASD-MPLS-346-SC-6PACK	New construction mounting plate with square holes and sliding clips 3-4-6"	810128110327	12(2)	17.3" x 11.9" x 13.4"	16.5 lbs	10810128110324

ANNEX 1

Model	Watts	2,700 K	3,000 K	3,500 K	4,000 K	5,000 K
ASD-CD-PR-1D7AC-WH ASD-CD-PR-1D7AC-BK	7W	486 lm	516 lm	542 lm	550 lm	553 lm
ASD-CD-PS-1D7AC-WH ASD-CD-PS-1D7AC-BK	7W	475 lm	531 lm	551 lm	560 lm	541 lm
ASD-CD-PR-2D8AC-WH ASD-CD-PR-2D8AC-BK	8W	526 lm	561 lm	615 lm	645 lm	649 lm
ASD-CD-CR-2D8AC-CH/WH ASD-CD-CR-2D8AC-CH/BK	8W	507 lm	536 lm	584 lm	609 lm	606 lm
ASD-CD-PR-2D15AC-WH ASD-CD-PR-2D15AC-BK	15W	916 lm	978 lm	1,078 lm	1,110 lm	1,023 lm
ASD-CD-PR-MV-2D15AC-WH	15W	1,071 lm	1,087 lm	1,042 lm	1,081 lm	1,041 lm
ASD-CD-CR-2D15AC-CH/WH ASD-CD-CR-2D15AC-CH/BK	15W	830 lm	842 lm	934 lm	1,011 lm	964 lm
ASD-CD-PS-2D8AC-WH ASD-CD-PS-2D8AC-BK	8W	504 lm	534 lm	584 lm	612 lm	615 lm
ASD-CD-PS-2D15AC-WH ASD-CD-PS-2D15AC-BK	15W	871 lm	923 lm	1,015 lm	1,103 lm	987 lm
ASD-CD-PWR-2D8AC-WH	8W	361 lm	375 lm	401 lm	416 lm	415 lm

For most up-to-date spec sheets please refer to asd-lighting.com