



LED VANITY LINEAR

► **DESIGN & OPTIONS** - LED VANITY LINEAR LIGHT has a sleek, modern design that allows you to have a stylish look with efficient lighting. It features smooth dimming capabilities ranging from 10% to 100% with modern LED dimmers, and the 160° beam angle provides uniform illumination. This fixture includes a color selectable option, allowing you to choose either 3,000K, 4,000K or 5,000K with a simple switch. It comes in 18" and 24" sizes with a BRUSHED NICKEL finish.

► **INSTALLATION** - Installation is quick and easy: just attach the back plate to the outlet box with screws, connect the wires, and secure the fixture to the back plate. Screws, wire nuts, decorative caps and all necessary installation accessories are provided. Can be installed both vertically and horizontally. Refer to install instructions for detailed steps.

► **APPLICATION** - This LED VANITY LINEAR LIGHT creates a bright light that is perfect for bathroom spaces. It can also be used as an additional light to an already existing ceiling light. This fixture is Damp Locations rated.

► **ENERGY SAVING & EFFICIENCY** - With a lifespan of 50,000 hours, these fixtures are made to last decades under normal operation! This fixture can cut your electric bill by up to 80% instantly and will save you a significant amount of money in its lifetime.

► **CERTIFICATION & WARRANTY** - Buy with confidence: ASD provides a 5-year limited warranty along with ETL certification to guarantee top quality products and safety!

Energy Star classification allow participation in rebates; please check the rebate programs available in your state.

Catalog number	
Notes	
Type	



Model	Size	Watts	Voltage	Dimmable	Lumens	CCT	Finish	Dimensions (LxWxH)
ASD-LVF22-18D20CC-NK	18 inch	20W	120 V	TRIAC	1,500/1,730/1,650 lm	3CCT (3,000/4,000/5,000 K)	Brushed nickel	18" x 4-1/2" x 4-3/4"
ASD-LVF22-24D25CC-NK	24 inch	25W	120 V	TRIAC	1,950/2,105/2,050 lm	3CCT (3,000/4,000/5,000 K)	Brushed nickel	24" x 4-1/2" x 4-3/4"

ORDERING INFORMATION

Model	UPS	Pcs. per carton	Carton size	Carton weight	GTIN 14
ASD-LVF22-18D20CC-NK	810050732857	4	21.7" x 12.6" x 11.4"	11.7 lb	30810050732858
ASD-LVF22-24D25CC-NK	810050732864	4	26.8" x 12.6" x 11.4"	14.2 lb	30810050732865

For most up-to-date spec sheets please refer to asd-lighting.com



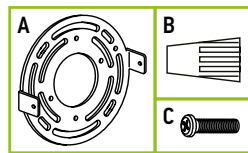
LED VANITY LINEAR

PRODUCT SPECIFICATIONS:

Construction & Materials			
Housing	Steel		
Lens	Acrylic		
Finish	Brushed nickel		
Weight	ASD-LVF22-18D20CC-NK	2.1 lb (1 kg)	
	ASD-LVF22-24D25CC-NK	2.6 lb (1.2 kg)	
Environmental system			
Work environment	Suitable for Damp Locations		
Operating temperature	-4°F to 122°F (-20°C to 50°C)		
L-70 life	> 50,000 hrs		
Optical system			
Luminous flux	ASD-LVF22-18D20CC-NK	1,500/1,730/1,650 lm	
	ASD-LVF22-24D25CC-NK	1,950/2,105/2,050 lm	
Color temperature	3CCT (3,000/4,000/5,000 K)		
CRI	> 80		
Electrical system			
Input voltage	120 V		
Max input current	ASD-LVF22-18D20CC-NK	0.2 A	
	ASD-LVF22-24D25CC-NK	0.25 A	
Inrush current (Action time)	ASD-LVF22-18D20CC-NK	0.17 A (0.1 S)	
	ASD-LVF22-24D25CC-NK	0.21 A (0.1 S)	
Off state power	0W		
Power consumption	ASD-LVF22-18D20CC-NK	20W	
	ASD-LVF22-24D25CC-NK	25W	
Power factor	> 0.9		
Surge protection DM/CM	1.25 kV / 1.25 kV		
Dimming range			
10-100%			
Dimming compatible controls			
Brand	Lutron	Leviton	
Models	TGCL-153P	MACL-153MLH	DSL06
	CTCL-153P	DVCL-153PR	RNL06
	P-PKG1W	STCL-153PH	
	PD-6WCL		
Regular and voluntary certifications			
5-year limited warranty			
Energy Star listed			
cETLus certified 4001256			

PACKAGE CONTENTS:

Description	Q-ty
LED Vanity linear	1
Mounting bracket (A)	1
Wire nut (B)	3
1/4 inch Screw (C)	2
Box	1



INSTALLATION GUIDE

IMPORTANT SAFETY INFORMATION:

Please read all the instructions below before installation.

- ▶ Make sure that the supply voltage corresponds to the rated product voltage.
- ▶ The product must be installed by a qualified electrician in accordance with the National Electrical Code and corresponding local codes.
- ▶ If the product is damaged, do not use it.

⚠ WARNING

RISK OF PERSONAL INJURY – READ and follow all WARNINGS and installation instructions. Keep or give to the owner for future reference.

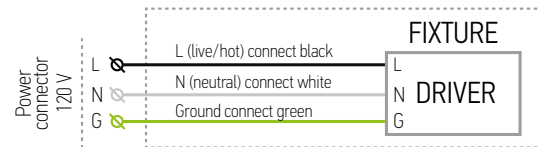
Risk of cuts: Wear gloves to prevent cuts or abrasions when removing from carton, handling, installing, and maintaining this product.

Risk of electric shock: This product must be installed in accordance with the applicable installation code by a person familiar with the construction and operation of the product and the hazards involved.

Risk of Fire: Minimum 194°F supply conductors. Consult a qualified electrician to ensure correct branch circuit conductor.

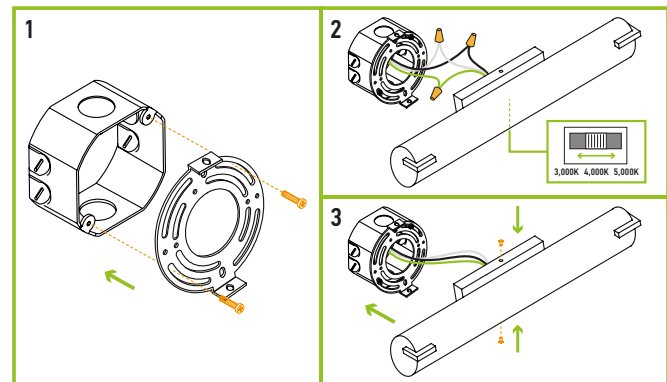
ASD® assumes no responsibility for claims arising out of improper or careless Installation or handling of this product.

ELECTRICAL SCHEMATIC DIAGRAM:



INSTALLATION STEPS:

1. Pull the power supply wires out from the outlet box. Attach the mounting bracket to the outlet box using two screws.
2. Connect the wires: Black to Black, White to White, Green to Green. Secure the connection with wire nuts. Choose needed color temperature by adjusting switch position on the backside of the fixture.
3. Place the fixture back plate of the lamp over the mounting bracket. Insert the fixture screws and tighten to secure the fixture on the surface.



For most up-to-date spec sheets please refer to asd-lighting.com