



# LED OUTDOOR WALL SCONCE

► **DESIGN** - LED OUTDOOR WALL SCONCE has a modern, multipurpose design and a stylish look with efficient lighting. The UV resistant PMMA lens with a 160° beam angle grants you even light distribution. It is designed to operate on 120-277V circuits and provides smooth triac dimming capabilities ranging from 10% to 100%.

► **COLOR SELECTABLE** - You can choose either a 3,000K warm white, 4,000K cool white or 5,000K daylight color temperature.

► Durable waterproof housing resistant to rust and impact can be used outdoors in all weather conditions.

► **APPLICATION** - The fixture is rated for Wet Locations, making it perfect for indoor and outdoor projects such as decks, front doors, porches, patios, corridors, walkways, or any other common areas.

► **ADVANTAGES** - With a lifespan of 50,000 hours, these fixtures are made to last decades under normal operation! ASD provides a 5-year limited warranty along with ETL and Energy Star certifications to guarantee top quality products and safety!

<i>Catalog number</i>	
<i>Notes</i>	
<i>Type</i>	



Model	Size	Watts	Voltage	Dimmable	Lumens	CCT	Finish	Dimensions (LxWxH)
ASD-OLWS-22-MV-12N15CC-BZ	12 inch	15W	120-277 V	-	790/1,010/928 lm	3CCT (3,000/4,000/5,000 K)	Oil rubbed bronze	12" x 6" x 4"
ASD-OLWS-22-MV-18N20CC-BZ	18 inch	20W	120-277 V	-	1,335/1,515/1,403 lm	3CCT (3,000/4,000/5,000 K)	Oil rubbed bronze	18" x 6" x 4"
ASD-OLWS-22-MV-24N23CC-BZ	24 inch	23W	120-277 V	-	1,600/1,970/1,775 lm	3CCT (3,000/4,000/5,000 K)	Oil rubbed bronze	24" x 6" x 4"

## PRODUCT SPECIFICATIONS:

Construction & Materials				Electrical system					
Housing	Steel			Input voltage	120-277 V				
Lens	PMMA			Max input current	ASD-OLWS-22-MV-12N15CC-BZ	0.15 A			
Finish	Oil rubbed bronze				ASD-OLWS-22-MV-18N20CC-BZ	0.35 A			
	ASD-OLWS-22-MV-24N23CC-BZ	3.3 lbs (1.5 kg)			ASD-OLWS-22-MV-12N15CC-BZ	0.118 A (0.2 S)			
Weight	ASD-OLWS-22-MV-18N20CC-BZ	4.4 lbs (2 kg)		Inrush current (Action time)	ASD-OLWS-22-MV-18N20CC-BZ	0.164 A (0.2 S)			
	ASD-OLWS-22-MV-24N23CC-BZ	5.6 lbs (2.6 kg)			ASD-OLWS-22-MV-24N23CC-BZ				
					Off state power	0W			
<b>Environmental system</b>				Power consumption	ASD-OLWS-22-MV-12N15CC-BZ	15W			
Work environment	Suitable for Wet Locations				ASD-OLWS-22-MV-18N20CC-BZ	20W			
Operating temperature	-40°F to 113°F (-40°C to 45°C)				ASD-OLWS-22-MV-24N23CC-BZ	23W			
L-70 Life	> 50,000 hrs			Power factor	> 0.9				
<b>Optical system</b>					Output voltage	ASD-OLWS-22-MV-12N15CC-BZ	18-36 V		
Luminous flux	ASD-OLWS-22-MV-12N15CC-BZ	790/1,010/928 lm				ASD-OLWS-22-MV-18N20CC-BZ	30-38 V		
	ASD-OLWS-22-MV-18N20CC-BZ	1,335/1,515/1,403 lm		ASD-OLWS-22-MV-24N23CC-BZ					
	ASD-OLWS-22-MV-24N23CC-BZ	1,600/1,970/1,775 lm		Driver output current	ASD-OLWS-22-MV-12N15CC-BZ	0.35 A			
Color temperature	3CCT (3,000/4,000/5,000 K)				ASD-OLWS-22-MV-18N20CC-BZ	0.58 A			
CRI	> 80				ASD-OLWS-22-MV-24N23CC-BZ				
<b>Dimming compatible controls</b>				Surge protection DM/CM	1.5 kV / 1.5 kV				
Brand	Lutron		Leviton		<b>Regular and voluntary certifications</b>				
	MACL-153MLH-WH	DVCL-153PR	R02-DW6HD-2RW		DSL06	5-year limited warranty	cETLus certified 4001256		Energy Star listed
Models	STCL-153PH-WH	P-PKG1W	R00-RNL06-0TW						
		PD-6WCL-WH-R		R68-06674-POT					

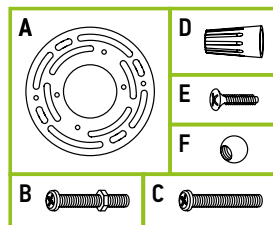
For most up-to-date spec sheets please refer to [asd-lighting.com](http://asd-lighting.com)



# LED OUTDOOR WALL SCENCE

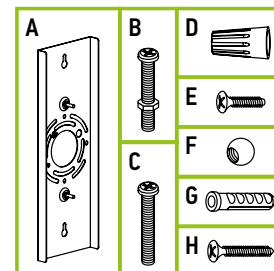
## PACKAGE CONTENTS FOR 12" AND 18" MODELS:

Description	Q-ty
LED Outdoor Wall Sconce	1
Mounting plate (A)	1
Mounting screw (B)	2
Outlet box screw (C)	2
Wire nut (D)	3
Short screw (E)	2
Decorative cap nut (F)	2
Box	1



## PACKAGE CONTENTS FOR 24" MODELS:

Description	Q-ty
LED Outdoor Wall Sconce	1
Mounting plate (A)	1
Mounting screw (B)	2
Outlet box screw (C)	2
Wire nut (D)	3
Short screw (E)	2
Decorative cap nut (F)	2
Anchor (G)	2
Self-tapping screw (H)	2
Box	1



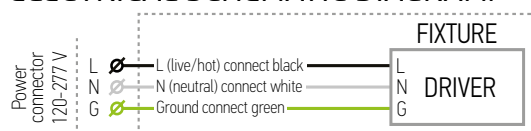
## INSTALLATION GUIDE

### IMPORTANT SAFETY INFORMATION:

Please read all the instructions below before installation.

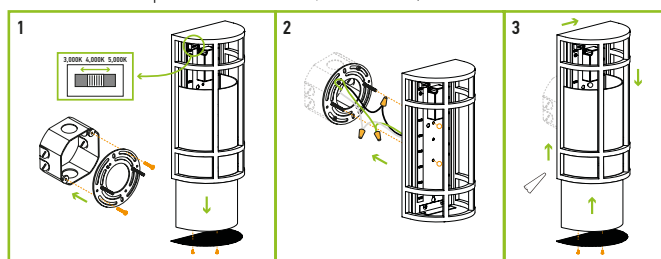
- ▶ Make sure that the supply voltage corresponds to the rated product voltage.
- ▶ The product must be installed by a qualified electrician in accordance with the National Electrical Code and corresponding local codes.
- ▶ If the product is damaged, do not use it.

### ELECTRICAL SCHEMATIC DIAGRAM:



### INSTALLATION STEPS 12" AND 18":

1. Screw the two mounting screws onto the mounting plate. Attach the mounting plate to the outlet box using screws. Make sure the threads of the mounting screws are facing outside when the mounting plate is attached to the outlet box. Remove the bottom cover and pull out the lens. Choose preferred color temperature by adjusting the switch position.
2. Connect the wires: Black to Black, White to White, Ground to Ground. Secure the connection with wire nuts. Place the fixture on the wall by aligning the protruding mounting screws through the holes on the fixture. Tighten each mounting screw with a decorative cap nut.
3. Put the lens back and attach the bottom cover with two short screws. For outdoor locations please use silicone (not included).



### ⚠ WARNING

**RISK OF PERSONAL INJURY – READ and follow all WARNINGS and installation instructions.** Keep or give to the owner for future reference.

**Risk of cuts:** Wear gloves to prevent cuts or abrasions when removing from carton, handling, installing, and maintaining this product.

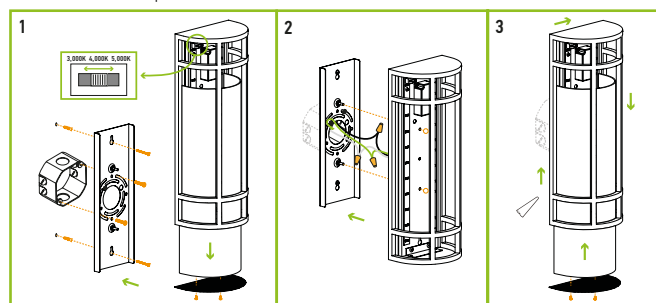
**Risk of electric shock:** This product must be installed in accordance with the applicable installation code by a person familiar with the construction and operation of the product and the hazards involved.

**Risk of Fire:** Minimum 194°F supply conductors. Consult a qualified electrician to ensure correct branch circuit conductor.

ASD® assumes no responsibility for claims arising out of improper or careless installation or handling of this product.

### INSTALLATION STEPS 24":

1. Remove the bottom cover and pull out the lens. Choose preferred color temperature by adjusting the switch position. Attach the mounting plate to the outlet box and mark the location of the holes for the wall anchors in the narrow ends of the keyholes. Remove the mounting plate and drill two appropriate sized holes for anchors, insert anchors into the holes, twist the two self-tapping screws into the anchors. Attach the mounting plate to the outlet box using two screws and tighten self-tapping screws.
2. Connect the wires: Black to Black, White to White, Ground to Ground. Secure the connection with wire nuts. Place the fixture on the wall by aligning the protruding mounting screws through the holes on the fixture. Tighten each mounting screw with a decorative cap nut.
3. Put the lens back and attach the bottom cover with two short screws. For outdoor locations please use silicone (not included).



## ORDERING INFORMATION

Model	UPC	Pcs. per carton	Carton size	Carton weight	GTIN 14
ASD-OLWS-22-MV-12N15CC-BZ	810050730679	4	15.7" x 14" x 11.6"	17.3 lbs	30810050730670
ASD-OLWS-22-MV-18N20CC-BZ	810050730686	4	19.9" x 15.7" x 11.6"	20.2 lbs	30810050730687
ASD-OLWS-22-MV-24N23CC-BZ	810050730693	4	26" x 15.7" x 11.6"	26.5 lbs	30810050730694

For most up-to-date spec sheets please refer to [asd-lighting.com](http://asd-lighting.com)

ASD LIGHTING CORP

E-mail: [orders@asd-lighting.com](mailto:orders@asd-lighting.com) | Web site: [www.asd-lighting.com](http://www.asd-lighting.com)

