



LED TRIMLESS DOWNLIGHT

► **DESIGN** - LED TRIMLESS DOWNLIGHT has a twist-lock design and includes a round mud frame to be plastered over, giving it a smooth trimless look. It features a durable airtight aluminum housing, multifaceted specular reflector with a 38° beam angle, and anti-glare PC lens. It is designed to operate on 120V or 120-277V circuits.

► **COLOR SELECTABLE** - You can choose either a 2,700K soft white, 3,000K warm white, 3,500K neutral white, 4,000K cool white, or 5,000K daylight color temperature.

► **CR190+** - rating provides rich and natural colors and keeps your space looking and feeling vibrant. True bright colors also improve your mood and general health.

► **INSTALLATION** - This fixture is IC rated so there is no can or any other housing required. It is also Wet Locations rated, making it perfect for any spaces with humidity requirements. Perfect for retail, hospitality, or any other commercial space with a high ceiling.

► **ADVANTAGES** - With a lifespan of 50,000 hours, these fixtures are made to last decades under normal operation! ASD provides a 5-year limited warranty along with ETL and Energy Star certifications to guarantee top quality products and safety!

Catalog number	
Notes	
Type	



Model	Size	Type	Watts	Voltage	Dimmable	Lumens	CCT	Trim color	Dimensions
ASD-CD-TR-2D8AC-WH	2 inch	Round	8W	120 V	TRIAC	550/566/616/643/640 lm	5CCT (2,700/3,000/3,500/4,000/5,000 K)	White	2-3/8" x 2-7/16"
ASD-CD-TR-2D15AC-WH	2 inch	Round	15W	120 V	TRIAC	830/881/980/1,029/1,000 lm	5CCT (2,700/3,000/3,500/4,000/5,000 K)	White	3-9/16" x 5-1/16"
ASD-CD-TR-MV-2D15AC-WH	2 inch	Round	15W	120-277 V	0-10 V	914/956/1,042/1,077/1,032 lm	5CCT (2,700/3,000/3,500/4,000/5,000 K)	White	2-3/8" x 4-15/16"
ASD-CD-TR-2D15AC-BK	2 inch	Round	15W	120 V	TRIAC	830/881/980/1,029/1,000 lm	5CCT (2,700/3,000/3,500/4,000/5,000 K)	Black	3-9/16" x 5-1/16"
ASD-CD-TS-2D8AC-WH	2 inch	Square	8W	120 V	TRIAC	529/551/595/626/636 lm	5CCT (2,700/3,000/3,500/4,000/5,000 K)	White	2-3/4" x 2-3/4" x 3-3/8"
ASD-CD-TS-2D15AC-WH	2 inch	Square	15W	120 V	TRIAC	840/902/987/1,026/989 lm	5CCT (2,700/3,000/3,500/4,000/5,000 K)	White	4-1/8" x 4-1/8" x 5-9/16"
ASD-CD-TS-2D15AC-BK	2 inch	Square	15W	120 V	TRIAC	840/902/987/1,026/989 lm	5CCT (2,700/3,000/3,500/4,000/5,000 K)	Black	4-1/8" x 4-1/8" x 5-9/16"
ASD-CD-TR-3D12AC-WH	3.5 inch	Round	12W	120 V	TRIAC	751/796/880/933/925 lm	5CCT (2,700/3,000/3,500/4,000/5,000 K)	White	5-7/8" x 2-15/16"
ASD-CD-TR-3D12AC-BK	3.5 inch	Round	12W	120 V	TRIAC	751/796/880/933/925 lm	5CCT (2,700/3,000/3,500/4,000/5,000 K)	Black	5-7/8" x 2-15/16"
ASD-CD-TS-3D12AC-WH	3.5 inch	Square	12W	120 V	TRIAC	798/823/901/953/944 lm	5CCT (2,700/3,000/3,500/4,000/5,000 K)	White	5-11/16" x 5-11/16" x 3-1/16"
ASD-CD-TS-3D12AC-BK	3.5 inch	Square	12W	120 V	TRIAC	798/823/901/953/944 lm	5CCT (2,700/3,000/3,500/4,000/5,000 K)	Black	5-11/16" x 5-11/16" x 3-1/16"
ASD-CD-TR-4D15AC-WH	4 inch	Round	15W	120 V	TRIAC	825/956/1,011/1,050/1,055 lm	5CCT (2,700/3,000/3,500/4,000/5,000 K)	White	5-7/8" x 3-1/8"
ASD-CD-TR-MV-4D15AC-WH	4 inch	Round	15W	120-277 V	0-10 V	885/938/1,034/1,082/1,041 lm	5CCT (2,700/3,000/3,500/4,000/5,000 K)	White	3-1/8" x 2-13/16"
ASD-CD-TR-4D15AC-BK	4 inch	Round	15W	120 V	TRIAC	825/956/1,011/1,050/1,055 lm	5CCT (2,700/3,000/3,500/4,000/5,000 K)	Black	5-7/8" x 3-1/8"
ASD-CD-TS-4D15AC-WH	4 inch	Square	15W	120 V	TRIAC	871/928/1,027/1,090/1,054 lm	5CCT (2,700/3,000/3,500/4,000/5,000 K)	White	6-5/16" x 6-5/16" x 4"
ASD-CD-TS-4D15AC-BK	4 inch	Square	15W	120 V	TRIAC	871/928/1,027/1,090/1,054 lm	5CCT (2,700/3,000/3,500/4,000/5,000 K)	Black	6-5/16" x 6-5/16" x 4"
ASD-CD-TR-6D24AC-WH	6 inch	Round	24W	120 V	TRIAC	1,691/1,841/2,001/2,075/2,051 lm	5CCT (2,700/3,000/3,500/4,000/5,000 K)	White	8-11/16" x 3-9/16"
ASD-CD-TR-MV-6D24AC-WH	6 inch	Round	24W	120-277 V	0-10 V	1,683/1,786/1,960/2,023/2,009 lm	5CCT (2,700/3,000/3,500/4,000/5,000 K)	White	5-5/16" x 3-5/8"
ASD-CD-TR-6D24AC-BK	6 inch	Round	24W	120 V	TRIAC	1,691/1,841/2,001/2,075/2,051 lm	5CCT (2,700/3,000/3,500/4,000/5,000 K)	Black	8-11/16" x 3-9/16"
ASD-CD-TS-6D24AC-WH	6 inch	Square	24W	120 V	TRIAC	1,737/1,800/1,981/2,038/2,015 lm	5CCT (2,700/3,000/3,500/4,000/5,000 K)	White	8-1/8" x 8-1/8" x 3-11/16"
ASD-CD-TS-6D24AC-BK	6 inch	Square	24W	120 V	TRIAC	1,737/1,800/1,981/2,038/2,015 lm	5CCT (2,700/3,000/3,500/4,000/5,000 K)	Black	8-1/8" x 8-1/8" x 3-11/16"
CD-TG GIMBAL									
ASD-CD-TG-2D8AC-WH	2 inch	Round	8W	120 V	TRIAC	622/645/692/713/717 lm	5CCT (2,700/3,000/3,500/4,000/5,000 K)	White	2-3/4" x 2-3/8"
ASD-CD-TGR-2D8AC-BK	2 inch	Round	8W	120 V	TRIAC	622/645/692/713/717 lm	5CCT (2,700/3,000/3,500/4,000/5,000 K)	Black	2-3/4" x 2-11/16"
ASD-CD-TGS-2D8AC-WH	2 inch	Square	8W	120 V	TRIAC	573/605/661/672/671 lm	5CCT (2,700/3,000/3,500/4,000/5,000 K)	White	3-1/16" x 3-1/16" x 2-3/4"
ASD-CD-TGS-2D8AC-BK	2 inch	Square	8W	120 V	TRIAC	573/605/661/672/671 lm	5CCT (2,700/3,000/3,500/4,000/5,000 K)	Black	3-1/16" x 3-1/16" x 2-3/4"
ASD-CD-TGR-3D12AC-WH	3 inch	Round	12W	120 V	TRIAC	828/920/1,013/1,031/1,043 lm	5CCT (2,700/3,000/3,500/4,000/5,000 K)	White	4-1/16" x 5-9/16"
ASD-CD-TGR-4D17AC-WH	4 inch	Round	17W	120 V	TRIAC	1,384/1,452/1,547/1,599/1,623 lm	5CCT (2,700/3,000/3,500/4,000/5,000 K)	White	6-11/16" x 4"

For most up-to-date spec sheets please refer to asd-lighting.com



LED TRIMLESS DOWNLIGHT

PRODUCT SPECIFICATIONS:

Construction & Materials				
Housing	Aluminum			
Lens	PC			
Trim color	White, Black			
Weight	ASD-CD-TR-2D8AC-WH	0.7 lbs (0.3 kg)	ASD-CD-TS-4D15AC-WH	1.5 lbs (0.7 kg)
	ASD-CD-TR-2D15AC-WH	1.2 lbs (0.5 kg)	ASD-CD-TS-4D15AC-BK	
	ASD-CD-TR-MV-2D15AC-WH		ASD-CD-TR-6D24AC-WH	2.5 lbs (1.1 kg)
	ASD-CD-TR-2D15AC-BK		ASD-CD-TR-MV-6D24AC-WH	
	ASD-CD-TS-2D8AC-WH	0.9 lbs (0.4 kg)	ASD-CD-TR-6D24AC-BK	2.6 lbs (1.2 kg)
	ASD-CD-TS-2D15AC-WH	1.2 lbs (0.5 kg)	ASD-CD-TS-6D24AC-WH	
	ASD-CD-TS-2D15AC-BK		ASD-CD-TS-6D24AC-BK	
	ASD-CD-TR-3D12AC-WH	1.1 lbs (0.5 kg)	ASD-CD-TG-2D8AC-WH	0.8 lbs (0.4 kg)
	ASD-CD-TR-3D12AC-BK		ASD-CD-TGR-2D8AC-BK	
	ASD-CD-TS-3D12AC-WH	1.2 lbs (0.5 kg)	ASD-CD-TGS-2D8AC-WH	0.9 lbs (0.4 kg)
	ASD-CD-TS-3D12AC-BK		ASD-CD-TGS-2D8AC-BK	
	ASD-CD-TR-4D15AC-WH	0.8 lbs (0.4 kg)	ASD-CD-TGR-3D12AC-WH	1.7 lbs (0.8 kg)
	ASD-CD-TR-MV-4D15AC-WH		ASD-CD-TGR-4D17AC-WH	2.4 lbs (1.1 kg)
	ASD-CD-TR-4D15AC-BK			
Environmental system				
Work environment	Suitable for Wet Locations			
Operating temperature	-4°F to 104°F (-20°C to 40°C)			
L-70 Life	> 50,000 hrs			
Optical system				
Luminous flux	ASD-CD-TR-2D8AC-WH	550/566/616/643/640 lm	ASD-CD-TS-4D15AC-WH	871/928/1,027/1,090/1,054 lm
	ASD-CD-TR-2D15AC-WH	830/881/980/1,029/1,000 lm	ASD-CD-TS-4D15AC-BK	
	ASD-CD-TR-MV-2D15AC-WH	914/956/1,042/1,077/1,032 lm	ASD-CD-TR-6D24AC-WH	1,691/1,841/2,001/2,075/2,051 lm
	ASD-CD-TR-2D15AC-BK	830/881/980/1,029/1,000 lm	ASD-CD-TR-MV-6D24AC-WH	1,683/1,786/1,960/2,023/2,009 lm
	ASD-CD-TS-2D8AC-WH	529/551/595/626/636 lm	ASD-CD-TR-6D24AC-BK	1,691/1,841/2,001/2,075/2,051 lm
	ASD-CD-TS-2D15AC-WH	840/902/987/1,026/989 lm	ASD-CD-TS-6D24AC-WH	1,737/1,800/1,981/2,038/2,015 lm
	ASD-CD-TS-2D15AC-BK		ASD-CD-TS-6D24AC-BK	
	ASD-CD-TR-3D12AC-WH	751/796/880/933/925 lm	ASD-CD-TG-2D8AC-WH	622/645/692/713/717 lm
	ASD-CD-TR-3D12AC-BK		ASD-CD-TGR-2D8AC-BK	
	ASD-CD-TS-3D12AC-WH	798/823/901/953/944 lm	ASD-CD-TGS-2D8AC-WH	573/605/661/672/671 lm
	ASD-CD-TS-3D12AC-BK		ASD-CD-TGS-2D8AC-BK	
	ASD-CD-TR-4D15AC-WH	825/956/1,011/1,050/1,055 lm	ASD-CD-TGR-3D12AC-WH	828/920/1,013/1,031/1,043 lm
	ASD-CD-TR-MV-4D15AC-WH	885/938/1,034/1,082/1,041 lm	ASD-CD-TGR-4D17AC-WH	1,384/1,452/1,547/1,599/1,623 lm
	ASD-CD-TR-4D15AC-BK	825/956/1,011/1,050/1,055 lm		
Color temperature	5CCT switch (2,700/3,000/3,500/4,000/5,000 K), 5,000 K by default			
CRI	> 90			
Electrical system				
Input voltage	120 V for MV models: 120-277 V			
Max input current	ASD-CD-TR-2D8AC-WH	0.1 A	ASD-CD-TS-4D15AC-WH	0.15 A
	ASD-CD-TR-2D15AC-WH	0.15 A	ASD-CD-TS-4D15AC-BK	
	ASD-CD-TR-MV-2D15AC-WH	0.12 A	ASD-CD-TR-6D24AC-WH	0.2 A
	ASD-CD-TR-2D15AC-BK	0.15 A	ASD-CD-TR-MV-6D24AC-WH	
	ASD-CD-TS-2D8AC-WH	0.1 A	ASD-CD-TR-6D24AC-BK	
	ASD-CD-TS-2D15AC-WH	0.15 A	ASD-CD-TS-6D24AC-WH	0.1 A
	ASD-CD-TS-2D15AC-BK		ASD-CD-TS-6D24AC-BK	
	ASD-CD-TR-3D12AC-WH	0.12 A	ASD-CD-TG-2D8AC-WH	0.12 A
	ASD-CD-TR-3D12AC-BK		ASD-CD-TGR-2D8AC-BK	
	ASD-CD-TS-3D12AC-WH		ASD-CD-TGS-2D8AC-WH	
	ASD-CD-TS-3D12AC-BK	0.15 A	ASD-CD-TGS-2D8AC-BK	0.16 A
	ASD-CD-TR-4D15AC-WH		ASD-CD-TGR-3D12AC-WH	
	ASD-CD-TR-MV-4D15AC-WH	0.14 A	ASD-CD-TGR-4D17AC-WH	
	ASD-CD-TR-4D15AC-BK	0.15 A		

For most up-to-date spec sheets please refer to asd-lighting.com



LED TRIMLESS DOWNLIGHT

Electrical system							
Inrush current (Action time)	ASD-CD-TR-2D8AC-WH	4 A (0.5 S)	ASD-CD-TS-4D15AC-WH	6 A (0.5 S)			
	ASD-CD-TR-2D15AC-WH	6 A (0.5 S)	ASD-CD-TS-4D15AC-BK	6 A (0.5 S)			
	ASD-CD-TR-MV-2D15AC-WH	10 A (0.5 S)	ASD-CD-TR-6D24AC-WH	15 A (0.5 S)			
	ASD-CD-TR-2D15AC-BK	6 A (0.5 S)	ASD-CD-TR-MV-6D24AC-WH	15 A (0.5 S)			
	ASD-CD-TS-2D8AC-WH	4 A (0.5 S)	ASD-CD-TR-6D24AC-BK	15 A (0.5 S)			
	ASD-CD-TS-2D15AC-WH	6 A (0.5 S)	ASD-CD-TS-6D24AC-WH	15 A (0.5 S)			
	ASD-CD-TS-2D15AC-BK	6 A (0.5 S)	ASD-CD-TS-6D24AC-BK	15 A (0.5 S)			
	ASD-CD-TR-3D12AC-WH	5 A (0.5 S)	ASD-CD-TG-2D8AC-WH	4 A (0.5 S)			
	ASD-CD-TR-3D12AC-BK		ASD-CD-TGR-2D8AC-BK				
	ASD-CD-TS-3D12AC-WH		ASD-CD-TGS-2D8AC-WH				
	ASD-CD-TS-3D12AC-BK		ASD-CD-TGS-2D8AC-BK				
	ASD-CD-TR-4D15AC-WH	6 A (0.5 S)	ASD-CD-TGR-3D12AC-WH	4 A (0.5 S)			
	ASD-CD-TR-MV-4D15AC-WH	10 A (0.5 S)	ASD-CD-TGR-4D17AC-WH	4 A (0.5 S)			
ASD-CD-TR-4D15AC-BK	6 A (0.5 S)						
Off state power	0W						
Power consumption	ASD-CD-TR-2D8AC-WH	8W	ASD-CD-TS-4D15AC-WH	15W			
	ASD-CD-TR-2D15AC-WH	15W	ASD-CD-TS-4D15AC-BK	15W			
	ASD-CD-TR-MV-2D15AC-WH		ASD-CD-TR-6D24AC-WH	24W			
	ASD-CD-TR-2D15AC-BK	8W	ASD-CD-TR-MV-6D24AC-WH	24W			
	ASD-CD-TS-2D8AC-WH	8W	ASD-CD-TR-6D24AC-BK	24W			
	ASD-CD-TS-2D15AC-WH	15W	ASD-CD-TS-6D24AC-WH	24W			
	ASD-CD-TS-2D15AC-BK	15W	ASD-CD-TS-6D24AC-BK	24W			
	ASD-CD-TR-3D12AC-WH	12W	ASD-CD-TG-2D8AC-WH	8W			
	ASD-CD-TR-3D12AC-BK		ASD-CD-TGR-2D8AC-BK				
	ASD-CD-TS-3D12AC-WH		ASD-CD-TGS-2D8AC-WH				
	ASD-CD-TS-3D12AC-BK		ASD-CD-TGS-2D8AC-BK				
	ASD-CD-TR-4D15AC-WH	15W	ASD-CD-TGR-3D12AC-WH	12W			
	ASD-CD-TR-MV-4D15AC-WH	15W	ASD-CD-TGR-4D17AC-WH	17W			
ASD-CD-TR-4D15AC-BK	15W						
Power factor	> 0.9						
Output voltage	36 V		for ASD-CD-TR-4D15AC-WH model: 34-38 V				
Max output current	ASD-CD-TR-2D8AC-WH	0.18 A	ASD-CD-TS-4D15AC-WH	0.34 A			
	ASD-CD-TR-2D15AC-WH	0.32 A	ASD-CD-TS-4D15AC-BK	0.34 A			
	ASD-CD-TR-MV-2D15AC-WH		ASD-CD-TR-6D24AC-WH	0.56 A			
	ASD-CD-TR-2D15AC-BK	0.18 A	ASD-CD-TR-MV-6D24AC-WH		0.56 A		
	ASD-CD-TS-2D8AC-WH 0.18 A	0.18 A	ASD-CD-TR-6D24AC-BK	0.56 A			
	ASD-CD-TS-2D15AC-WH	0.32 A	ASD-CD-TS-6D24AC-WH	0.56 A			
	ASD-CD-TS-2D15AC-BK	0.32 A	ASD-CD-TS-6D24AC-BK	0.56 A			
	ASD-CD-TR-3D12AC-WH	0.27 A	ASD-CD-TG-2D8AC-WH	0.18 A			
	ASD-CD-TR-3D12AC-BK		ASD-CD-TGR-2D8AC-BK				
	ASD-CD-TS-3D12AC-WH		ASD-CD-TGS-2D8AC-WH				
	ASD-CD-TS-3D12AC-BK		ASD-CD-TGS-2D8AC-BK				
	ASD-CD-TR-4D15AC-WH	0.34 A	ASD-CD-TGR-3D12AC-WH	0.27 A			
	ASD-CD-TR-MV-4D15AC-WH	0.34 A	ASD-CD-TGR-4D17AC-WH	0.4 A			
ASD-CD-TR-4D15AC-BK	0.34 A						
Surge protection DM/CM	2.5 kV / 2.5 kV						
Dimming compatible controls for TRIAC							
Brand	Lutron			Leviton		Cooper	
Models	DMD-LE3-D	DVCL-153P	PD-6WCL	IPL06-10Z	6672	SI06P	
	SFTU-5A3P	CTCL-153P	DV-600P	DSL06	6621		
Dimming compatible controls for 0-10 V							
Brand	Lutron			Philips	Leviton	Lightolier controls	Watt stopper
Models	Nova T - NTFTV	Divva - NFTV	Divva - DVTV	Sunrise - SR1200ZTUNV	Illumitech - IP7	ZP600FAM120	DCLV1
Regular and voluntary certifications							
5-year limited warranty	cETLus certified 5003560			Energy Star listed (except CD-TS-3 inch, CD-TS-6 inch, TGR and TGS models)			

For most up-to-date spec sheets please refer to asd-lighting.com

ASD LIGHTING CORP

E-mail: orders@asd-lighting.com | Web site: www.asd-lighting.com

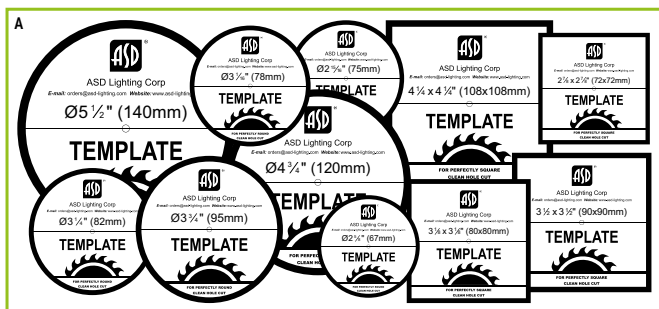




LED TRIMLESS DOWNLIGHT

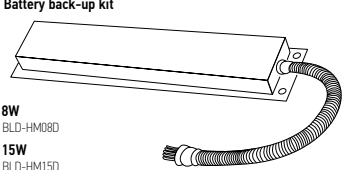
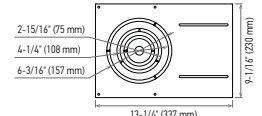
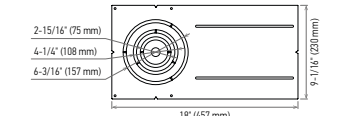
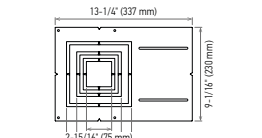
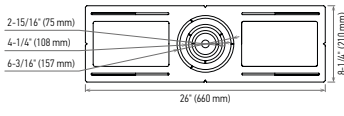
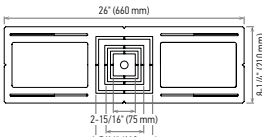
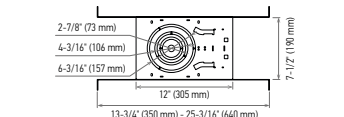
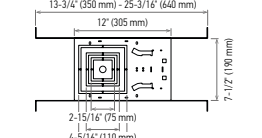
PACKAGE CONTENTS:

Description	Q-ty
LED Trimless Downlight	1
Template for 2, 3.5, 4 or 6 inch round or square (A)	1
Box	1



Model	Template
ASD-CD-TR-2D8AC-WH	ASD-CD-TR-MV-2D15AC-WH
ASD-CD-TR-2D15AC-WH	ASD-CD-TR-2D15AC-BK
ASD-CD-TS-2D8AC-WH	ASD-CD-TS-2D15AC-BK
ASD-CD-TS-2D15AC-WH	
ASD-CD-TG-2D8AC-WH	ASD-CD-TGR-2D8AC-BK
ASD-CD-TGR-3D12AC-WH	
ASD-CD-TGS-2D8AC-WH	ASD-CD-TGS-2D8AC-BK
ASD-CD-TR-3D12AC-WH	ASD-CD-TR-3D12AC-BK
ASD-CD-TS-3D12AC-WH	ASD-CD-TS-3D12AC-BK
ASD-CD-TR-4D15AC-WH	ASD-CD-TR-4D15AC-BK
ASD-CD-TR-MV-4D15AC-WH	
ASD-CD-TS-4D15AC-WH	ASD-CD-TS-4D15AC-BK
ASD-CD-TGR-4D17AC-WH	
ASD-CD-TR-6D24AC-WH	ASD-CD-TS-6D24AC-WH
ASD-CD-TR-MV-6D24AC-WH	ASD-CD-TS-6D24AC-BK
ASD-CD-TR-6D24AC-BK	

ACCESSORIES (sold separately):

Battery back-up kit  8W BLD-HM08D 15W BLD-HM15D	New construction flat mounting plate with asymmetric round holes 3-4-6" ASD-MPLR-346-FA-6PACK 
New construction flat mounting plate 18" with asymmetric square holes 3-4-6" ASD-MPLR18-346-FA-6PACK 	New construction flat mounting plate with asymmetric square holes 3-4-6" ASD-MPLS-346-FA-6PACK 
New construction flat mounting plate with symmetric round holes 3-4-6" ASD-MPLR-346-FS-6PACK 	New construction flat mounting plate with symmetric square holes 3-4-6" ASD-MPLS-346-FS-6PACK 
New construction mounting plate with round holes and sliding clips 3-4-6" ASD-MPLR-346-SC-6PACK 	New construction mounting plate with square holes and sliding clips 3-4-6" ASD-MPLS-346-SC-6PACK 

ACCESSORY COMPATIBILITY LIST:

Accessories	Models							
	Battery back-up kit 8W BLD-HM08D	Battery back-up kit 15W BLD-HM15D	New construction flat mounting plate with asymmetric round holes 3-4-6" ASD-MPLR-346-FA-6PACK	New construction flat mounting plate 18" with asymmetric round holes 3-4-6" ASD-MPLR18-346-FA-6PACK	New construction flat mounting plate with asymmetric square holes 3-4-6" ASD-MPLS-346-FA-6PACK	New construction flat mounting plate with symmetric round holes 3-4-6" ASD-MPLR-346-FS-6PACK	New construction flat mounting plate with symmetric square holes 3-4-6" ASD-MPLS-346-FS-6PACK	New construction mounting plate with round holes and sliding clips 3-4-6" ASD-MPLR-346-SC-6PACK
ASD-CD-TR-2D8AC-WH	●	●	●	●	●	●	●	●
ASD-CD-TR-2D15AC-WH	●	●	●	●	●	●	●	●
ASD-CD-TR-MV-2D15AC-WH	●	●	●	●	●	●	●	●
ASD-CD-TR-2D15AC-BK	●	●	●	●	●	●	●	●
ASD-CD-TS-2D8AC-WH	●	●	●	●	●	●	●	●
ASD-CD-TS-2D15AC-WH	●	●	●	●	●	●	●	●
ASD-CD-TS-2D15AC-BK	●	●	●	●	●	●	●	●
ASD-CD-TR-3D12AC-WH	●	●	●	●	●	●	●	●
ASD-CD-TR-3D12AC-BK	●	●	●	●	●	●	●	●
ASD-CD-TR-3D12AC-WH	●	●	●	●	●	●	●	●
ASD-CD-TR-3D12AC-BK	●	●	●	●	●	●	●	●
ASD-CD-TR-4D15AC-WH	●	●	●	●	●	●	●	●
ASD-CD-TR-MV-4D15AC-WH	●	●	●	●	●	●	●	●
ASD-CD-TR-4D15AC-BK	●	●	●	●	●	●	●	●
ASD-CD-TS-4D15AC-WH	●	●	●	●	●	●	●	●
ASD-CD-TS-4D15AC-BK	●	●	●	●	●	●	●	●
ASD-CD-TR-6D24AC-WH	●	●	●	●	●	●	●	●
ASD-CD-TR-MV-6D24AC-WH	●	●	●	●	●	●	●	●
ASD-CD-TR-6D24AC-BK	●	●	●	●	●	●	●	●
ASD-CD-TS-6D24AC-WH	●	●	●	●	●	●	●	●
ASD-CD-TS-6D24AC-BK	●	●	●	●	●	●	●	●
ASD-CD-TG-2D8AC-WH	●	●	●	●	●	●	●	●
ASD-CD-TGR-2D8AC-BK	●	●	●	●	●	●	●	●
ASD-CD-TGS-2D8AC-WH	●	●	●	●	●	●	●	●
ASD-CD-TGS-2D8AC-BK	●	●	●	●	●	●	●	●
ASD-CD-TGR-3D12AC-WH	●	●	●	●	●	●	●	●
ASD-CD-TGR-4D17AC-WH	●	●	●	●	●	●	●	●

For most up-to-date spec sheets please refer to asd-lighting.com



LED TRIMLESS DOWNLIGHT

INSTALLATION GUIDE

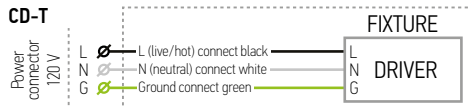
IMPORTANT SAFETY INFORMATION:

Please read all the instructions below before installation.

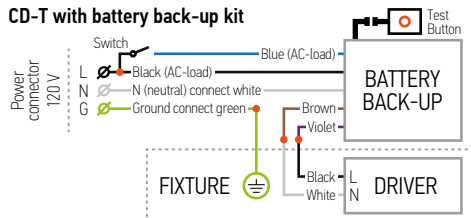
- ▶ Make sure that the supply voltage corresponds to the rated product voltage.
- ▶ The product must be installed by a qualified electrician in accordance with the National Electrical Code and corresponding local codes.
- ▶ If the product is damaged, do not use it.

ELECTRICAL SCHEMATIC DIAGRAM:

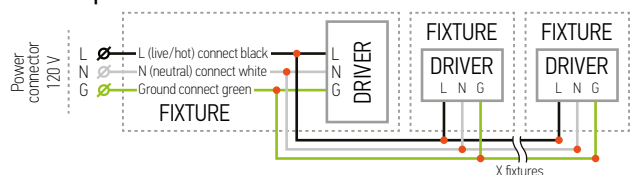
CD-T



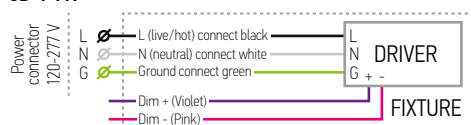
CD-T with battery back-up kit



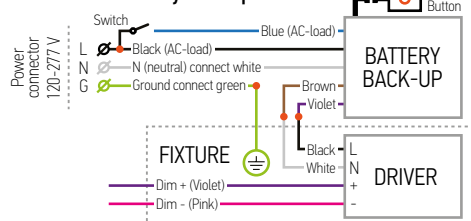
CD-T multiple fixture connection



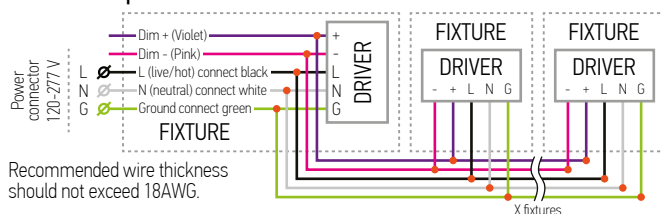
CD-T-MV



CD-T-MV with battery back-up kit



CD-T-MV multiple fixture connection



Recommended wire thickness should not exceed 18AWG.

BATTERY BACK-UP KIT INFORMATION

BLD-HM08D **BLD-HM15D** sold separately:

Specifications	BLD-HM08D	BLD-HM15D
Input voltage	120-347 Vac, 50/60 Hz	
Input current	≤ 100 mA	
Output voltage	≤ 170 Vdc	≤ 175 Vdc
Output power	8W	15W
Lumen	800 lm	1,000 lm
Application	< 60W (0-10 V dimmable fixture)	< 100W (0/1-10 V dimmable fixture)
Ambient temperature	32°F to 122°F (0°C to 50°C)	

WARNING

RISK OF PERSONAL INJURY – READ and follow all WARNINGS and installation instructions. Keep or give to the owner for future reference.

Risk of cuts: Wear gloves to prevent cuts or abrasions when removing from carton, handling, installing, and maintaining this product.

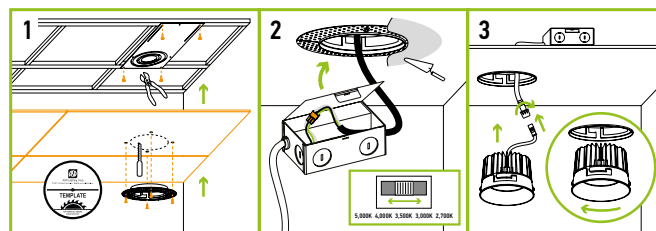
Risk of electric shock: This product must be installed in accordance with the applicable installation code by a person familiar with the construction and operation of the product and the hazards involved.

Risk of Fire: Minimum 194°F supply conductors. Consult a qualified electrician to ensure correct branch circuit conductor.

ASD® assumes no responsibility for claims arising out of improper or careless installation or handling of this product.

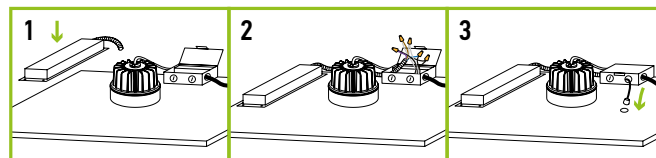
INSTALLATION STEPS:

1. Remove the metal ring from the mounting plate according to the size of fixture. Place the mounting plate and secure its position with the screws on the beams. Install drywall board. Cut the hole in the ceiling using template (included). Insert the Zero Clearance frame into the cut-hole, secure it with screws.
2. Plaster the frame. Connect the wires: Black to Black, White to White, Green to Green. Select color temperature you need using switch. Put the driver box above the ceiling through the hole in the frame.
3. Connect driver box and fixture using quick connector, insert fixture in to the frame, and twist it in the hole clockwise to lock in the frame.



INSTALLATION BATTERY BACK-UP KIT:

1. Secure the battery back-up kit to the ceiling.
2. Connect wires as shown on electrical diagram.
3. Connect test switch and affix it in the hole on the surface.



For most up-to-date spec sheets please refer to asd-lighting.com



LED TRIMLESS DOWNLIGHT

ORDERING INFORMATION

Model	UPC	Pcs. per carton	Carton size	Carton weight	GTIN 14
ASD-CD-TR-2D8AC-WH	810050736596	18	12.4" x 11.2" x 11.6"	15.4 lbs	10810050736593
ASD-CD-TR-2D15AC-WH	810050736602	18	15.9" x 10.8" x 17.5"	26.8 lbs	10810050736609
ASD-CD-TR-MV-2D15AC-WH	810050739498	18	21.5" x 20.1" x 8.7"	26.8 lbs	10810050739495
ASD-CD-TR-2D15AC-BK	810128111348	18	15.9" x 10.8" x 17.5"	26.8 lbs	10810128111345
ASD-CD-TS-2D8AC-WH	810050737012	18	14.6" x 12" x 13.4"	19.8 lbs	10810050737019
ASD-CD-TS-2D15AC-WH	810050736619	18	19.3" x 16.3" x 11.6"	27.9 lbs	10810050736616
ASD-CD-TS-2D15AC-BK	810128111362	18	19.3" x 16.3" x 11.6"	27.9 lbs	10810128111369
ASD-CD-TR-3D12AC-WH	810050736626	18	20.1" x 13.2" x 10.8"	25.4 lbs	10810050736623
ASD-CD-TR-3D12AC-BK	810128111379	18	20.1" x 13.2" x 10.8"	25.4 lbs	10810128111376
ASD-CD-TS-3D12AC-WH	810128111393	18	20.7" x 14.8" x 12.8"	26.9 lbs	10810128111390
ASD-CD-TS-3D12AC-BK	810128111386	18	20.7" x 14.8" x 12.8"	26.9 lbs	10810128111383
ASD-CD-TR-4D15AC-WH	810050736633	18	19.5" x 14.4" x 12.2"	33.3 lbs	10810050736630
ASD-CD-TR-MV-4D15AC-WH	810050739504	18	19.5" x 14.4" x 12.2"	33.3 lbs	10810050739501
ASD-CD-TR-4D15AC-BK	810128111430	18	19.5" x 14.4" x 12.2"	33.3 lbs	10810128111437
ASD-CD-TS-4D15AC-WH	810050737036	18	21.5" x 14.4" x 15.2"	33.3 lbs	10810050737033
ASD-CD-TS-4D15AC-BK	810128111409	18	21.5" x 14.4" x 15.2"	33.3 lbs	10810128111406
ASD-CD-TR-6D24AC-WH	810050739511	12	19.5" x 19.5" x 14"	37 lbs	10810050739518
ASD-CD-TR-MV-6D24AC-WH	810050739528	12	19.5" x 19.5" x 14"	37 lbs	10810050739525
ASD-CD-TR-6D24AC-BK	810128111447	12	19.5" x 19.5" x 14"	37 lbs	10810128111444
ASD-CD-TS-6D24AC-WH	810128111423	12	19.5" x 19.5" x 14"	38.6 lbs	10810128111420
ASD-CD-TS-6D24AC-BK	810128111416	12	19.5" x 19.5" x 14"	38.6 lbs	10810128111413
CD-TG GIMBAL					
ASD-CD-TG-2D8AC-WH	810050736640	18	14.2" x 12.8" x 10.4"	18.3 lbs	10810050736647
ASD-CD-TGR-2D8AC-BK	810128111454	18	14.2" x 12.8" x 10.4"	18.3 lbs	10810128111451
ASD-CD-TGS-2D8AC-WH	810128111478	18	17.1" x 12.8" x 11.6"	20.1 lbs	10810128111475
ASD-CD-TGS-2D8AC-BK	810128111461	18	17.1" x 12.8" x 11.6"	20.1 lbs	10810128111468
ASD-CD-TGR-3D12AC-WH	810128112321	18	16.5" x 14" x 12.8"	36.3 lbs	10810128112328
ASD-CD-TGR-4D17AC-WH	810128112338	18	22.4" x 15.2" x 15.2"	50.4 lbs	10810128112335

ACCESSORIES:

Model	Description	UPC	Pcs. per carton	Carton size	Carton weight	GTIN 14 in carton
ASD-MPLR-346-FA-6PACK	New construction flat mounting plate with asymmetric round holes 3-4-6"	810050739344	4	14.4" x 9.8" x 3.2"	22.5 lbs	10810050739341
ASD-MPLR18-346-FA-6PACK	New construction flat mounting plate 18" with asymmetric round holes 3-4-6"	810128112826	4	18.9" x 9.8" x 3.2"	32.9 lbs	10810128112823
ASD-MPLS-346-FA-6PACK	New construction flat mounting plate with asymmetric square holes 3-4-6"	810128110303	4	14.4" x 9.8" x 3.2"	22.7 lbs	10810128110300
ASD-MPLR-346-FS-6PACK	New construction flat mounting plate with symmetric round holes 3-4-6"	810050739351	4	27.2" x 9.1" x 3.2"	25.2 lbs	10810050739358
ASD-MPLS-346-FS-6PACK	New construction flat mounting plate with symmetric square holes 3-4-6"	810128110310	4	27" x 9.1" x 3.2"	26 lbs	10810128110317
ASD-MPLR-346-SC-6PACK	New construction mounting plate with round holes and sliding clips 3-4-6"	810050739337	2	17.3" x 11.9" x 13.4"	17 lbs	10810050739334
ASD-MPLS-346-SC-6PACK	New construction mounting plate with square holes and sliding clips 3-4-6"	810128110327	2	17.3" x 11.9" x 13.4"	16.5 lbs	10810128110324
BLD-HM08D	Battery back-up kit 8W	810128111508	10	14.4" x 13.8" x 9.3"	19.6 lbs	10810128111505
BLD-HM15D	Battery back-up kit 15W	810050734882	10	18.5" x 13.4" x 11.8"	25.6 lbs	10810050734889

For most up-to-date spec sheets please refer to asd-lighting.com

ASD LIGHTING CORP

E-mail: orders@asd-lighting.com | Web site: www.asd-lighting.com

