



# LED TRADITIONAL WALLPACK with Photocell

## Premium Series

► **DESIGN & OPTIONS** - LED TRADITIONAL WALLPACK WITH PHOTOCELL has durable, commercial-grade die-cast aluminum housing, anti-glare glass shield with high temperature resistance, maintenance-free LEDs, and anti-leakage silicone gaskets. The built-in dusk-to-dawn photocell will automatically turn the fixture on/off depending on the time of day. This fixture comes with a 120-277V with, 0-10V dimmable driver, 4000K or 5000K color temperature and a BRONZE finish.

► **INSTALLATION** - The housing features a removable hinge door and multiple points of entry, making installation quick and easy. The fixture can be mounted to a junction box or directly to a wall. Refer to installation instructions for detailed steps.

► **APPLICATION** - These fixtures can operate in temperatures between -40°+122°F (-40°+50°C), allowing them to be utilized in a wide variety of applications and climates. This makes them perfect for outdoor security lighting, wall perimeter lighting, garages, large backyards, commercial loading bays, warehouses, apartment complexes, hotels, and office/retail complexes.

► **ENERGY SAVING & EFFICIENCY** - This fixture provides a lumen output equal to MH/HPS and can cut your electric bill by up to 80% instantly. With a lifespan of 36,000 hours, these fixtures are made to last decades under normal operation! This fixture will save you a significant amount of money in its lifetime.

► **CERTIFICATION & WARRANTY** - Buy with confidence: ASD provides a 5-year warranty along with UL and DLC Premium certifications to guarantee top quality products and safety!

Top US certifications allow participation in rebates; please check the rebate programs available in your state.

Catalog number	
Notes	
Type	



## PRODUCT LEGEND:

Family	Modification	Watts	Dimmable	CCT	Option	Series
ASD-WLP	01	XX	D	XX	PC	PRM
LED Traditional Wallpack		29 = 29 W 80 = 80 W	Dimmable	40 = 4,000 K 50 = 5,000 K	Photocell	Premium

## LED TRADITIONAL WALLPACK WITH PHOTOCELL:

Model	Watts	Voltage	Dimming	Lumens	CCT	Option	Dimensions (LxWxH)	Series
ASD-WLP01-29D50-PC-PRM	29 W	120-277 V	0-10 V	4,000 lm	5,000 K	Photocell	10 3/4" x 8 1/4" x 7 5/8"	Premium
ASD-WLP01-50D40-PC-PRM	50 W	120-277 V	0-10 V	7,818 lm	4,000 K	Photocell	14 3/8" x 9 5/16" x 7 5/8"	Premium
ASD-WLP01-50D50-PC-PRM	50 W	120-277 V	0-10 V	7,878 lm	5,000 K	Photocell	14 3/8" x 9 5/16" x 7 5/8"	Premium
ASD-WLP01-80D40-PC-PRM	80 W	120-277 V	0-10 V	11,858 lm	4,000 K	Photocell	14 3/8" x 9 5/16" x 7 5/8"	Premium
ASD-WLP01-80D50-PC-PRM	80 W	120-277 V	0-10 V	11,874 lm	5,000 K	Photocell	14 3/8" x 9 5/16" x 7 5/8"	Premium
ASD-WLP01-120D50-PC-PRM	120 W	120-277 V	0-10 V	17,443 lm	5,000 K	Photocell	14 1/8" x 9 5/16" x 7 5/8"	Premium

## ORDERING INFORMATION:

Model	Carton Size	Carton Weight	UPC
ASD-WLP01-29D50-PC-PRM	12.1" x 10.7" x 10.2"	8.4 lb	810050734448
ASD-WLP01-50D40-PC-PRM	15" x 10.8" x 9.4"	10.4 lb	810050733380
ASD-WLP01-50D50-PC-PRM	15" x 10.8" x 9.4"	10.4 lb	810050733397
ASD-WLP01-80D40-PC-PRM	15" x 10.8" x 9.4"	10.6 lb	810050733403
ASD-WLP01-80D50-PC-PRM	15" x 10.8" x 9.4"	10.6 lb	810050733410
ASD-WLP01-120D50-PC-PRM	16.5" x 10.8" x 9.4"	10.6 lb	810050733649

For most up-to-date spec sheets please refer to [asd-lighting.com](http://asd-lighting.com)

ASD LIGHTING CORP

E-mail: [orders@asd-lighting.com](mailto:orders@asd-lighting.com) | Web site: [www.asd-lighting.com](http://www.asd-lighting.com)





# LED TRADITIONAL WALLPACK with Photocell

Premium Series

## PRODUCT SPECIFICATIONS:

Construction & Materials						
Lens	Glass					
Housing	Die-Cast Aluminum					
Finish	Bronze					
Weight	ASD-WLP01-29D50-PC-PRM	6.6 lb (3 kg)		ASD-WLP01-80D40-PC-PRM	9.1 lb (4.1 kg)	
	ASD-WLP01-50D40-PC-PRM	8.9 lb (4 kg)		ASD-WLP01-80D50-PC-PRM		
	ASD-WLP01-50D50-PC-PRM			ASD-WLP01-120D50-PC-PRM		
Environmental System						
Work Environment	Suitable for Wet Locations, IP65					
Operating Temperature	-40°F to 122°F (-40°C to 50°C)					
L-70 Life	R > 36,000 hrs, C > 72,000 hrs					
Optical System						
Luminous Flux	ASD-WLP01-29D50-PC-PRM	4,000 lm		ASD-WLP01-80D40-PC-PRM	11,858 lm	
	ASD-WLP01-50D40-PC-PRM	7,818 lm		ASD-WLP01-80D50-PC-PRM	11,874 lm	
	ASD-WLP01-50D50-PC-PRM	7,878 lm		ASD-WLP01-120D50-PC-PRM	17,443 lm	
Color Temperature	4,000K; 5,000 K					
CRI	> 70					
Electrical System						
Input Voltage	120-277 V					
Max input current	ASD-WLP01-29D50-PC-PRM	0.3 A		ASD-WLP01-80D40-PC-PRM	0.8 A	
	ASD-WLP01-50D40-PC-PRM	0.55 A		ASD-WLP01-80D50-PC-PRM		
	ASD-WLP01-50D50-PC-PRM			ASD-WLP01-120D50-PC-PRM		
Inrush current (Action time)	ASD-WLP01-29D50-PC-PRM	60 A (0.55 S)		ASD-WLP01-80D40-PC-PRM	80 A (0.75 S)	
	ASD-WLP01-50D40-PC-PRM	80 A (0.75 S)		ASD-WLP01-80D50-PC-PRM		
	ASD-WLP01-50D50-PC-PRM			ASD-WLP01-120D50-PC-PRM		
AC input range	ASD-WLP01-29D50-PC-PRM	min 120V max 277V		ASD-WLP01-80D40-PC-PRM	min 108V max 305V	
	ASD-WLP01-50D40-PC-PRM	min 108V max 305V		ASD-WLP01-80D50-PC-PRM		
	ASD-WLP01-50D50-PC-PRM			ASD-WLP01-120D50-PC-PRM		
Off State Power	0 W					
Surge protection	ASD-WLP01-29D50-PC-PRM	2.5 kV		ASD-WLP01-80D40-PC-PRM	4 kV	
	ASD-WLP01-50D40-PC-PRM	4 kV		ASD-WLP01-80D50-PC-PRM		
	ASD-WLP01-50D50-PC-PRM			ASD-WLP01-120D50-PC-PRM		
Power Consumption	ASD-WLP01-29D50-PC-PRM	29 W		ASD-WLP01-80D40-PC-PRM	80 W	
	ASD-WLP01-50D40-PC-PRM	50 W		ASD-WLP01-80D50-PC-PRM		
	ASD-WLP01-50D50-PC-PRM			ASD-WLP01-120D50-PC-PRM		
Power Factor	≥ 0.9					
Output voltage	ASD-WLP01-29D50-PC-PRM	36-52 V		ASD-WLP01-80D40-PC-PRM	130 V	
	ASD-WLP01-50D40-PC-PRM	130 V		ASD-WLP01-80D50-PC-PRM		
	ASD-WLP01-50D50-PC-PRM			ASD-WLP01-120D50-PC-PRM		
Max output current	ASD-WLP01-29D50-PC-PRM	600 mA		ASD-WLP01-80D40-PC-PRM	620 mA	
	ASD-WLP01-50D40-PC-PRM	390 mA		ASD-WLP01-80D50-PC-PRM		
	ASD-WLP01-50D50-PC-PRM			ASD-WLP01-120D50-PC-PRM		
LED Driver Class	ASD-WLP01-29D50-PC-PRM	Class 2		ASD-WLP01-80D40-PC-PRM	Class 1	
	ASD-WLP01-50D40-PC-PRM	Class 1		ASD-WLP01-80D50-PC-PRM		
	ASD-WLP01-50D50-PC-PRM			ASD-WLP01-120D50-PC-PRM		
Dimming compatible controls						
Brand	Leviton		Lutron		Legrand	
Models	DS710	IP710	NTSTV-DV	NFTV	DVTV-WH	H4FBL3PW
Warranty & Certifications						
5-year limited warranty						
cULus certified E473804						
DesignLights Consortium (DLC) listed (Classification: Premium)						
Main: Outdoor Luminaires; General Application: High Output; Primary Use: Outdoor Non-Cutoff and Semi-Cutoff Wall-Mounted Area Luminaires						

## PACKAGE CONTENTS:

Description	Q-ty
LED Traditional Wallpack with Photocell	1
Box	1
Cut sheet	2

For most up-to-date spec sheets please refer to [asd-lighting.com](http://asd-lighting.com)

ASD LIGHTING CORP

E-mail: [orders@asd-lighting.com](mailto:orders@asd-lighting.com) | Web site: [www.asd-lighting.com](http://www.asd-lighting.com)





# LED TRADITIONAL WALLPACK with Photocell

Premium Series

## INSTALLATION GUIDE

### IMPORTANT SAFETY INFORMATION:

Please read all the instructions below before installation.

- ▶ Make sure that the supply voltage corresponds to the rated product voltage.
- ▶ The product must be installed by a qualified electrician in accordance with the National Electrical Code and corresponding local codes.
- ▶ If the product is damaged, do not use it.

### ⚠ WARNING

**RISK OF PERSONAL INJURY – READ and follow all WARNINGS and installation instructions.**

Keep or give to the owner for future reference.

**Risk of cuts:** Wear gloves to prevent cuts or abrasions when removing from carton, handling, installing, and maintaining this product.

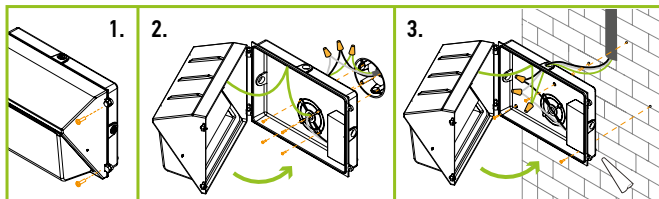
**Risk of electric shock:** This product must be installed in accordance with the applicable installation code by a person familiar with the construction and operation of the product and the hazards involved.

**Risk of Fire:** Minimum 194°F supply conductors. Consult a qualified electrician to ensure correct branch circuit conductor.

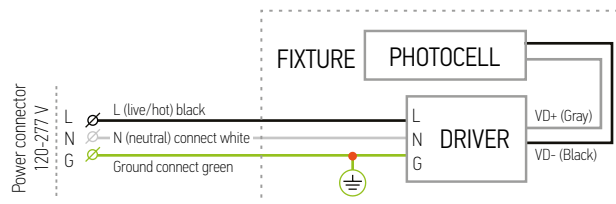
ASD® assumes no responsibility for claims arising out of improper or careless Installation or handling of this product.

### INSTALLATION STEPS:

1. Use a screwdriver to loosen the screws securing the front cover and open the fixture.
2. **Junction box installation:** Drill the mounting holes and secure the fixture on the mounting surface, insert the power cord. Connect the wires: Black to Black, White to White, Green to Green. Close the front cover and tighten the screws.
3. **Wall installation:** Secure the fixture on the wall and remove one of the side caps, insert the power cord. Connect the wires: Black to Black, White to White, Green to Green. Close the front cover and tighten the screws. For outdoor locations it is recommended to use silicone (not included).



### ELECTRICAL SCHEMATIC DIAGRAM:



### PHOTOCELL SETTINGS:

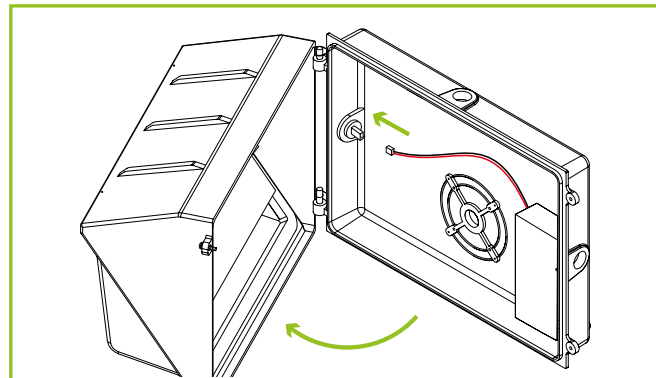


The fixture with a built-in dusk-to-dawn photocell automatically turn off during daylight hours

- The light is always ON when luminance is < 30 lux (night time)
  - The light is always OFF when luminance is < 60 lux (day time)
- (\*for ASD-WLP01-29D50-PC-PRM = 130Lux)

### ENABLING THE PHOTOCELL:

By default ASD-WLP01-PC models come with the photocell disconnected. If the photocell is needed for your application plug the quick connect from the driver into the photocell before wiring to AC power.



For most up-to-date spec sheets please refer to [asd-lighting.com](http://asd-lighting.com)

ASD LIGHTING CORP

E-mail: [orders@asd-lighting.com](mailto:orders@asd-lighting.com) | Web site: [www.asd-lighting.com](http://www.asd-lighting.com)

