



LED TRIMLESS DOWNLIGHT

► **DESIGN & OPTIONS** - LED TRIMLESS DOWNLIGHT has a twist-lock design and includes a round mud frame to be plastered over, giving it a smooth trimless look. It features a durable airtight die-cast aluminum body, multifaceted specular reflector with a 38° beam angle, an anti-glare PC lens. It is also CCT selectable, allowing you to set it to 2,700K, 3,000K, 3,500K, 4,000K, or 5,000K with a simple switch. It comes in a 2", 3.5", 4" or 6" size at 120V with TRIAC, or 120-277V with 0-10V dimming and a CRI90+.



The battery back-up kit provides 90 minutes of power in case of emergency.

► **INSTALLATION** - Flangeless installation provides a more high end look. No housing is required. It is IC rated for direct contact with insulation. Refer to install instructions for detailed steps.

► **APPLICATION** - LED TRIMLESS DOWNLIGHT is perfect for retail, hospitality, commercial and certain residential settings. It is IP54 rated, making it perfect for spaces with humidity requirements.

► **ENERGY SAVING & EFFICIENCY** - With a lifespan of 50,000 hours, these fixtures are made to last decades under normal operation! This fixture can cut your electric bill by up to 80% instantly and will save you a significant amount of money in its lifetime.

► **CERTIFICATION & WARRANTY** - Buy with confidence: ASD provides a 5-year limited warranty along with ETL certification to guarantee top quality products and safety!

Energy Star classification allows participation in rebates; please check the rebate programs available in your state.

Catalog number	
Notes	
Type	



Model	Size	Watts	Voltage	Dimmable	Lumens	CCT	Trim color	Dimensions	Type
CD-TR ROUND									
ASD-CD-TR-2D8AC-WH	2 inch	8W	120 V	TRIAC	550/566/616/643/640 lm	5CCT (2,700/3,000/3,500/4,000/5,000 K)	White	2-3/8" x 2-7/16"	Round
ASD-CD-TR-2D15AC-WH	2 inch	15W	120 V	TRIAC	830/881/980/1,029/1,000 lm	5CCT (2,700/3,000/3,500/4,000/5,000 K)	White	2-3/8" x 4-15/16"	Round
ASD-CD-TR-MV-2D15AC-WH	2 inch	15W	120-277 V	0-10 V	914/956/1,042/1,077/1,032 lm	5CCT (2,700/3,000/3,500/4,000/5,000 K)	White	2-3/8" x 4-15/16"	Round
ASD-CD-TR-3D12AC-WH	3.5 inch	12W	120 V	TRIAC	750/765/840/873/845 lm	5CCT (2,700/3,000/3,500/4,000/5,000 K)	White	2-15/16" x 2-15/16"	Round
ASD-CD-TR-4D15AC-WH	4 inch	15W	120 V	TRIAC	825/956/1,011/1,050/1,055 lm	5CCT (2,700/3,000/3,500/4,000/5,000 K)	White	3-1/8" x 2-13/16"	Round
ASD-CD-TR-MV-4D15AC-WH	4 inch	15W	120-277 V	0-10 V	885/938/1,034/1,082/1,041 lm	5CCT (2,700/3,000/3,500/4,000/5,000 K)	White	3-1/8" x 2-13/16"	Round
ASD-CD-TR-6D24AC-WH	6 inch	24W	120 V	TRIAC	1,691/1,841/2,001/2,075/2,051 lm	5CCT (2,700/3,000/3,500/4,000/5,000 K)	White	5-5/16" x 3-5/8"	Round
ASD-CD-TR-MV-6D24AC-WH	6 inch	24W	120-277 V	0-10 V	1,683/1,786/1,960/2,023/2,009 lm	5CCT (2,700/3,000/3,500/4,000/5,000 K)	White	5-5/16" x 3-5/8"	Round
CD-TS SQUARE									
ASD-CD-TS-2D8AC-WH	2 inch	8W	120 V	TRIAC	530/551/595/626/636 lm	5CCT (2,700/3,000/3,500/4,000/5,000 K)	White	2-3/4" x 2-3/4" x 3-3/8"	Square
ASD-CD-TS-2D15AC-WH	2 inch	15W	120 V	TRIAC	840/902/987/1,026/989 lm	5CCT (2,700/3,000/3,500/4,000/5,000 K)	White	2-3/4" x 2-3/4" x 5-9/16"	Square
ASD-CD-TS-4D15AC-WH	4 inch	15W	120 V	TRIAC	892/928/1,027/1,090/1,054 lm	5CCT (2,700/3,000/3,500/4,000/5,000 K)	White	3-1/8" x 3-1/8" x 4"	Square
CD-TG GIMBAL									
ASD-CD-TG-2D8AC-WH	2 inch	8W	120 V	TRIAC	550/645/692/713/717 lm	5CCT (2,700/3,000/3,500/4,000/5,000 K)	White	2-3/4" x 2-3/8"	Round

PRODUCT SPECIFICATIONS:

Construction & Materials				
Housing	Aluminum			
Lens	PC			
Trim color	White			
Weight	ASD-CD-TR-2D8AC-WH	0.7 lb (0.3 kg)	ASD-CD-TR-6D24AC-WH	
	ASD-CD-TR-2D15AC-WH	1.2 lb (0.5 kg)	ASD-CD-TR-MV-6D24AC-WH	
	ASD-CD-TR-MV-2D15AC-WH		2.5 lb (1.1 kg)	
	ASD-CD-TR-3D12AC-WH	1.1 lb (0.5 kg)	ASD-CD-TS-2D8AC-WH	0.9 lb (0.4 kg)
	ASD-CD-TR-4D15AC-WH	0.8 lb (0.4 kg)	ASD-CD-TS-2D15AC-WH	1.2 lb (0.5 kg)
	ASD-CD-TR-MV-4D15AC-WH		ASD-CD-TS-4D15AC-WH	1.5 lb (0.7 kg)
ASD-CD-TG-2D8AC-WH			0.8 lb (0.4 kg)	
Environmental system				
Work environment	Suitable for Wet Locations, IP54			
Operating temperature	-4°F to 104°F (-20°C to 40°C)			
L-70 Life	> 50,000 hrs			

For most up-to-date spec sheets please refer to asd-lighting.com

ASD LIGHTING CORP

E-mail: orders@asd-lighting.com | Web site: www.asd-lighting.com





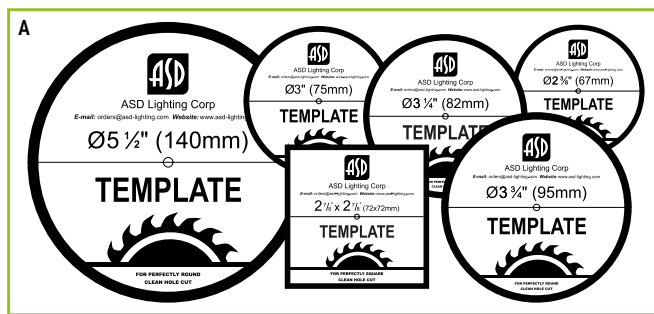
LED TRIMLESS DOWNLIGHT

Optical system						
Luminous flux	ASD-CD-TR-2D8AC-WH	550/566/616/643/640 lm	ASD-CD-TR-6D24AC-WH	1,691/1,841/2,001/2,075/2,051 lm		
	ASD-CD-TR-2D15AC-WH	830/881/980/1,029/1,000 lm	ASD-CD-TR-MV-6D24AC-WH	1,683/1,786/1,960/2,023/2,009 lm		
	ASD-CD-TR-MV-2D15AC-WH	914/956/1,042/1,077/1,032 lm	ASD-CD-TS-2D8AC-WH	530/551/595/626/636 lm		
	ASD-CD-TR-3D12AC-WH	750/765/840/873/845 lm	ASD-CD-TS-2D15AC-WH	840/902/987/1,026/989 lm		
	ASD-CD-TR-4D15AC-WH	825/956/1,011/1,050/1,055 lm	ASD-CD-TS-4D15AC-WH	892/928/1,027/1,090/1,054 lm		
	ASD-CD-TR-MV-4D15AC-WH	885/938/1,034/1,082/1,041 lm	ASD-CD-TG-2D8AC-WH	550/645/692/713/717 lm		
Color temperature	5CCT (2,700/3,000/3,500/4,000/5,000 K)					
CRI	> 90					
Electrical system						
Input voltage	120 V		for MV models: 120-277 V			
Max input current	ASD-CD-TR-2D8AC-WH	0.1 A	ASD-CD-TR-6D24AC-WH	0.2 A		
	ASD-CD-TR-2D15AC-WH	0.15 A	ASD-CD-TR-MV-6D24AC-WH	0.1 A		
	ASD-CD-TR-MV-2D15AC-WH	0.12 A	ASD-CD-TS-2D8AC-WH	0.15 A		
	ASD-CD-TR-3D12AC-WH	0.12 A	ASD-CD-TS-2D15AC-WH	0.1 A		
	ASD-CD-TR-4D15AC-WH	0.15 A	ASD-CD-TG-2D8AC-WH	0.1 A		
	ASD-CD-TR-MV-4D15AC-WH	0.14 A	ASD-CD-TR-6D24AC-WH	15 A (0.5 S)		
Inrush current (Action time)	ASD-CD-TR-2D8AC-WH	4 A (0.5 S)	ASD-CD-TR-MV-6D24AC-WH	4 A (0.5 S)		
	ASD-CD-TR-2D15AC-WH	6 A (0.5 S)	ASD-CD-TS-2D8AC-WH	6 A (0.5 S)		
	ASD-CD-TR-MV-2D15AC-WH	10 A (0.5 S)	ASD-CD-TS-2D15AC-WH	4 A (0.5 S)		
	ASD-CD-TR-3D12AC-WH	5 A (0.5 S)	ASD-CD-TS-4D15AC-WH	6 A (0.5 S)		
	ASD-CD-TR-4D15AC-WH	6 A (0.5 S)	ASD-CD-TG-2D8AC-WH	4 A (0.5 S)		
	ASD-CD-TR-MV-4D15AC-WH	10 A (0.5 S)				
Off state power	0W					
Power consumption	ASD-CD-TR-2D8AC-WH	8W	ASD-CD-TR-6D24AC-WH	24W		
	ASD-CD-TR-2D15AC-WH	15W	ASD-CD-TR-MV-6D24AC-WH	8W		
	ASD-CD-TR-MV-2D15AC-WH	12W	ASD-CD-TS-2D8AC-WH	15W		
	ASD-CD-TR-3D12AC-WH	12W	ASD-CD-TS-2D15AC-WH	8W		
	ASD-CD-TR-4D15AC-WH	15W	ASD-CD-TG-2D8AC-WH			
	ASD-CD-TR-MV-4D15AC-WH	15W				
Power factor	> 0.9					
Output voltage	36 V		for ASD-CD-TR-4D15AC-WH model: 34-38 V			
Max output current	ASD-CD-TR-2D8AC-WH	0.18 A	ASD-CD-TR-6D24AC-WH	0.56 A		
	ASD-CD-TR-2D15AC-WH	0.32 A	ASD-CD-TR-MV-6D24AC-WH	0.18 A		
	ASD-CD-TR-MV-2D15AC-WH	0.27 A	ASD-CD-TS-2D8AC-WH	0.32 A		
	ASD-CD-TR-3D12AC-WH	0.27 A	ASD-CD-TS-2D15AC-WH	0.34 A		
	ASD-CD-TR-4D15AC-WH	0.34 A	ASD-CD-TS-4D15AC-WH	0.18 A		
	ASD-CD-TR-MV-4D15AC-WH	0.34 A	ASD-CD-TG-2D8AC-WH			
Surge protection DM/CM	2.5 kV / 2.5 kV					
Dimming compatible controls for TRIAC						
Brand	Lutron			Leviton	Cooper	
Models	DMD-LE3-D	DVCL-153P	PD-6WCL	IPL06-10Z	6672	SI06P
	SFTU-5A3P	CTCL-153P	DV-600P	DSL06	6621	
Dimming compatible controls for 0-10 V						
Brand	Lutron	Philips	Leviton	Lightolier Controls	Watt Stopper	
Models	Nova T - NTFV	Divia - NFTV	Divia - DVTV	Sunrise - SR1200ZTUNV	Illumitech - IP7	ZP600FAM120
DCLV1						
Regular and voluntary certifications						
5-year limited warranty		Energy Star listed		cETLus certified 5003560		

PACKAGE CONTENTS:

Description	Q-ty
LED Trimless Downlight	1
Template for 2, 3.5, 4 or 6 inch round or square (A)	1
Box	1

Model	Template
ASD-CD-TR-2D8AC-WH	2-5/8" (67 mm)
ASD-CD-TR-2D15AC-WH	
ASD-CD-TS-2D15AC-WH	2-7/8" x 2-7/8" (72 x 72 mm)
ASD-CD-TR-3D12AC-WH	3-1/4" (82 mm)
ASD-CD-TR-4D15AC-WH	3-3/4" (95 mm)
ASD-CD-TR-6D24AC-WH	5-1/2" (140 mm)
ASD-CD-TG-2D8AC-WH	3" (75 mm)

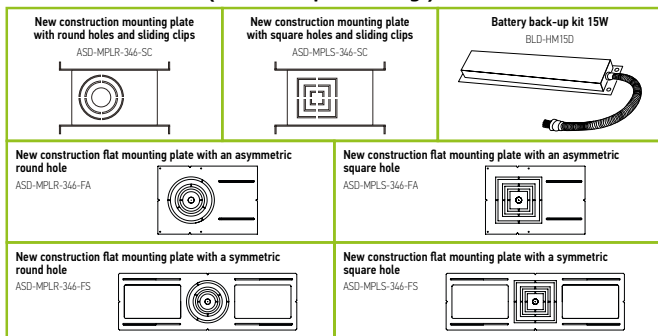


For most up-to-date spec sheets please refer to asd-lighting.com



LED TRIMLESS DOWNLIGHT

ACCESSORIES (sold separately):



ACCESSORY COMPATIBILITY LIST:

Accessories	New construction mounting plate with round holes and sliding clips ASD-MPLR-346-SC	New construction mounting plate with square holes and sliding clips ASD-MPLS-346-SC	Battery back-up kit 15W BLD-HM15D
ASD-CD-TR-2D8AC-WH	•	•	•
ASD-CD-TR-2D15AC-WH	•	•	•
ASD-CD-TR-MV-2D15AC-WH	•	•	•
ASD-CD-TR-3D12AC-WH	•	•	•
ASD-CD-TR-4D15AC-WH	•	•	•
ASD-CD-TR-MV-4D15AC-WH	•	•	•
ASD-CD-TR-6D24AC-WH	•	•	•
ASD-CD-TR-MV-6D24AC-WH	•	•	•
ASD-CD-TS-2D8AC-WH	•	•	•
ASD-CD-TS-2D15AC-WH	•	•	•
ASD-CD-TS-4D15AC-WH	•	•	•
ASD-CD-TG-2D8AC-WH	•	•	•

BATTERY BACK-UP KIT INFORMATION

BLD-HM15D sold separately:

Specifications	
Input voltage	100-347 VAC, 50/60 Hz
Input current	≤ 100 mA
Output voltage	≤ 175 V DC
Output power	15W
Lumen	1,000 lm
Application	< 100W (0/1-10 V Dimmable fixture)
Ambient temperature	0°C to 50°C (30°F to 122°F)

INSTALLATION GUIDE

IMPORTANT SAFETY INFORMATION:

Please read all the instructions below before installation.

- ▶ Make sure that the supply voltage corresponds to the rated product voltage.
- ▶ The product must be installed by a qualified electrician in accordance with the National Electrical Code and corresponding local codes.
- ▶ If the product is damaged, do not use it.

⚠ WARNING

RISK OF PERSONAL INJURY – READ and follow all WARNINGS and installation instructions. Keep or give to the owner for future reference.

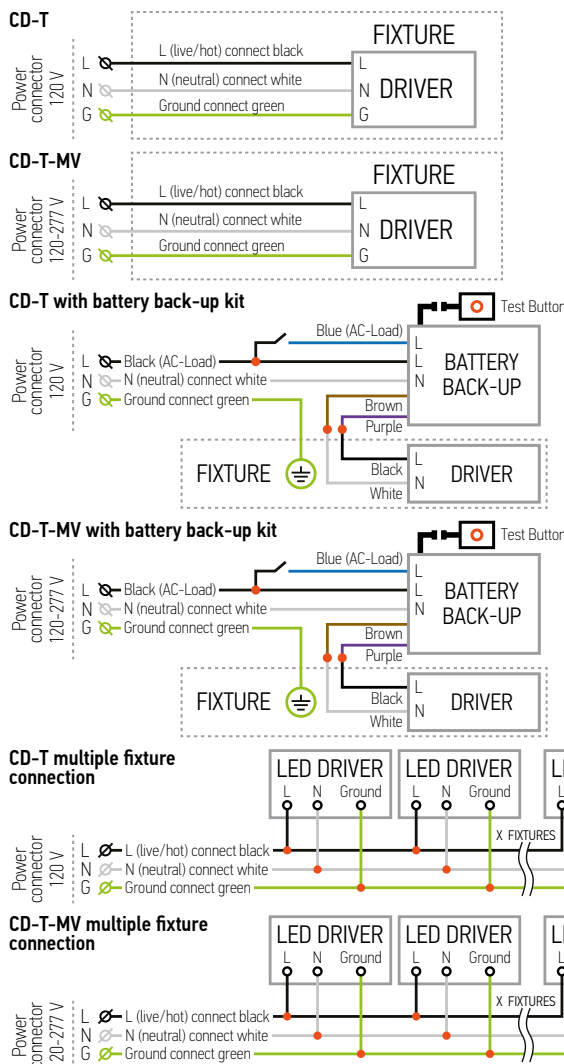
Risk of cuts: Wear gloves to prevent cuts or abrasions when removing from carton, handling, installing, and maintaining this product.

Risk of electric shock: This product must be installed in accordance with the applicable installation code by a person familiar with the construction and operation of the product and the hazards involved.

Risk of Fire: Minimum 194°F supply conductors. Consult a qualified electrician to ensure correct branch circuit conductor.

ASD® assumes no responsibility for claims arising out of improper or careless Installation or handling of this product.

ELECTRICAL SCHEMATIC DIAGRAM:



Recommended wire thickness should not exceed 18AWG.

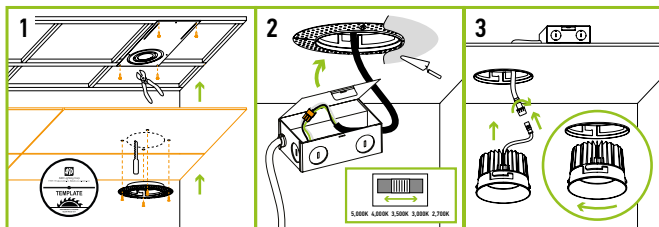
For most up-to-date spec sheets please refer to asd-lighting.com



LED TRIMLESS DOWNLIGHT

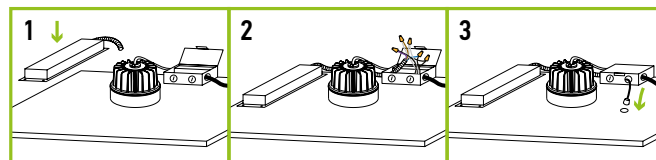
INSTALLATION STEPS:

1. Remove the metal ring from the mounting plate according to the size of fixture. Place the mounting plate and secure its position with the screws on the beams. Install drywall board. Cut the hole in the ceiling using template (included). Insert the Zero Clearance frame into the cut-hole, secure it with screws.
2. Plaster the frame. Connect the wires: Black to Black, White to White, Green to Green. Select color temperature you need using switch. Put the driver box above the ceiling through the hole in the frame.
3. Connect driver box and fixture using quick connector, insert fixture into the frame, and twist it in the hole clockwise to lock in the frame.



INSTALLATION BATTERY BACK-UP KIT:

1. Secure the battery back-up kit to the ceiling.
2. Connect wires as shown on electrical diagram.
3. Connect test switch and affix it in the hole on the surface.



ORDERING INFORMATION

Model	UPC	Pcs. per carton	Carton size	Carton weight	GTIN 14
CD-TR ROUND					
ASD-CD-TR-2D8AC-WH	810050736596	18	12.4" x 11.2" x 11.6"	15.4 lb	10810050736593
ASD-CD-TR-2D15AC-WH	810050736602	18	15.9" x 10.8" x 17.5"	26.8 lb	10810050736609
ASD-CD-TR-MV-2D15AC-WH	810050739498	18	21.5" x 20.1" x 8.7"	26.8 lb	10810050739495
ASD-CD-TR-3D12AC-WH	810050736626	18	20.1" x 13.2" x 10.8"	25.4 lb	10810050736623
ASD-CD-TR-4D15AC-WH	810050736633	18	19.5" x 14.4" x 12.2"	33.3 lb	10810050736630
ASD-CD-TR-MV-4D15AC-WH	810050739504	18	19.5" x 14.4" x 12.2"	33.3 lb	10810050739501
ASD-CD-TR-6D24AC-WH	810050739511	12	19.5" x 19.5" x 14"	37 lb	10810050739518
ASD-CD-TR-MV-6D24AC-WH	810050739528	12	19.5" x 19.5" x 14"	37 lb	10810050739525
CD-TS SQUARE					
ASD-CD-TS-2D8AC-WH	810050737012	18	14.6" x 12" x 13.4"	19.8 lb	10810050737019
ASD-CD-TS-2D15AC-WH	810050736619	18	19.3" x 16.3" x 11.6"	27.9 lb	10810050736616
ASD-CD-TS-4D15AC-WH	810050737036	18	21.5" x 14.4" x 15.2"	33.3 lb	10810050737033
CD-TG GIMBAL					
ASD-CD-TG-2D8AC-WH	810050736640	18	14.2" x 12.8" x 9.3"	18.3 lb	10810050736647

ACCESSORIES:

Model	Name	Weight	Dimensions	UPC				
ASD-MPLR-346-SC-6PACK	New construction mounting plate with round holes and sliding clips	1.1 lb	14-3/8" x 10-9/16" x 1-5/8"	810050739337				
ASD-MPLS-346-SC	New construction mounting plate with square holes and sliding clips	1.1 lb	14-3/8" x 10-9/16" x 1-5/8"	810050731843				
ASD-MPLR-346-FA-6PACK	New construction flat mounting plate with an asymmetric round hole	0.9 lb	13-1/4" x 9-1/16" x 1/16"	810050739344				
ASD-MPLS-346-FA	New construction flat mounting plate with an asymmetric square hole	0.9 lb	13-1/4" x 9-1/16" x 1/16"	810050733861				
ASD-MPLR-346-FS-6PACK	New construction flat mounting plate with a symmetric round hole	1 lb	26" x 8-1/4" x 1/16"	810050739351				
ASD-MPLS-346-FS	New construction flat mounting plate with a symmetric square hole	1 lb	26" x 8-1/4" x 1/16"	810050733885				
BLD-HM15D	Battery back-up kit 15W	24 lb	12-15/16" x 1-7/16" x 15/16"	810050734882				
Model	Pcs. in middle box	Middle box size	Middle box weight	GTIN 14 in middle box	Pcs. per carton	Carton size	Carton weight	GTIN 14 in carton
ASD-MPLR-346-SC-6PACK	-	-	-	-	2	17.3" x 11.9" x 13.4"	17 lb	10810050739334
ASD-MPLS-346-SC	6	15" x 11.2" x 7.5"	7.5 lb	10810050731840	12	23.2" x 15.6" x 8.3"	16.4 lb	20810050731847
ASD-MPLR-346-FA-6PACK	-	-	-	-	4	14.4" x 9.8" x 3.1"	22.5 lb	10810050739341
ASD-MPLS-346-FA	6	9.3" x 0.6" x 13.6"	5.5 lb	10810050733868	24	14.4" x 9.8" x 3.1"	22.9 lb	20810050733865
ASD-MPLR-346-FS-6PACK	-	-	-	-	4	27.2" x 9.1" x 3.1"	25.2 lb	10810050739358
ASD-MPLS-346-FS	6	8.5" x 0.6" x 26.4"	6 lb	10810050733882	24	27.2" x 9.1" x 3.1"	24.6 lb	20810050733889
BLD-HM15D	-	-	-	-	10	18.5" x 13.4" x 11.8"	25.6 lb	10810050734889

For most up-to-date spec sheets please refer to asd-lighting.com