



LED SECURITY FLOODLIGHT

► **DESIGN** - LED DUAL-HEAD SECURITY LIGHT WITH MOTION SENSOR is a great way to keep your home safe at night. Side-to-side 150° and up and down 180° rotatable light heads allow you to direct light where it is needed. It is designed to operate on 120V circuits.

► **FLEXIBLE SETTINGS** - Built-in motion sensor has sensitive 180° detection angle and 60ft long detection distance. ON TIME mode: motion sensor and daylight sensor -off, light always on. AUTO mode: when motion is detected in darkness, the lights will turn on. D2D (Dusk To Dawn) mode will automatically turns on at night and stays off at daytime.

► **COLOR SELECTABLE** - You can choose either a 2,700K, 3,000K warm white, 3,500K, 4,000K cool white or 5000K daylight color temperature.

► **APPLICATION** - Perfect commercial or industrial solution for both indoor and outdoor applications such as: porches, backyards, front doors, driveways, walkways, workshops, storage rooms, and more. It is also Wet Locations rated.

► **ADVANTAGES** - With a lifespan of 145,000 hours, these fixtures are made to last decades under normal operation! ASD provides a 5-year limited warranty along with UL and DLC Premium certifications to guarantee top quality products and safety!

Catalog number	
Notes	
Type	



Finish:	White
	Black

Model	Head q-ty	Watts	Voltage	Dimmable	Lumens	CCT	Finish	Dimensions (LxWxH)
ASD-SFL-20WH	2 square heads	20W	120 V	-	1,967/2,104/2,157/2,182/2,204 lm	5CCT (2,700/3,000/3,500/4,000/5,000 K)	White	10-1/4" x 4-7/16" x 6-13/16"
ASD-SFL-20BK	2 square heads	20W	120 V	-	1,817/1,939/1,989/2,014/2,045 lm	5CCT (2,700/3,000/3,500/4,000/5,000 K)	Black	10-1/4" x 4-7/16" x 6-13/16"

ORDERING INFORMATION

Model	UPC	Pcs. per carton	Carton size	Carton weight	GTIN 14
ASD-SFL-20WH	810128113441	8	24.6" x 12.6" x 14.2"	14.8 lbs	10810128113448
ASD-SFL-20BK	810128113458	8	24.6" x 12.6" x 14.2"	14.8 lbs	10810128113455

For most up-to-date spec sheets please refer to asd-lighting.com



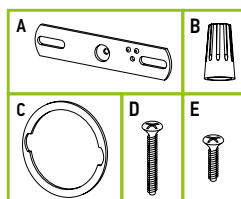
LED SECURITY FLOODLIGHT

PRODUCT SPECIFICATIONS:

Construction & Materials	
Housing	Aluminum
Lens	PC
Finish color	White, Black
Weight	1 lbs (0.4 kg)
Environmental system	
Work environment	Suitable for Wet Locations, IP65
Operating temperature	-4°F to 113°F (-20°C to 45°C)
L-70 Life	R > 54,000 hrs; C > 145,000 hrs
Optical system	
Luminous flux	ASD-SFL-20WH 1,967/2,104/2,157/2,182/2,204 lm
	ASD-SFL-20BK 1,817/1,939/1,989/2,014/2,045 lm
Color temperature	5CCT switch (2,700/3,000/3,500/4,000/5,000 K), 5,000 K by default
CRI	> 80
Electrical system	
Input voltage	120 V
Max input current	0.2 A
Inrush current (Action time)	70 A (12 S)
Off state power	0W
Power consumption	20W
Power factor	> 0.9
Output voltage	72 V
Max output current	0.26 A
Surge protection DM/CM	2 kV / 2 kV
Regular and voluntary certifications	
5-year limited warranty	
DesignLights Consortium (DLC) listed (Classification: Premium)	
UL certified E473804	

PACKAGE CONTENTS:

Description	Q-ty
LED Security Floodlight	1
Cross bar (A)	1
Wire nut (B)	3
EVA gasket (C)	1
Bracket screw (D)	1
Cross bar screw 3/8" (E)	2
Box	1



BUILT-IN MOTION SENSOR INFORMATION

Sensor has three selectable modes:

ON: The fixture works as a normal light fixture; without daylight sensor or motion sensor.

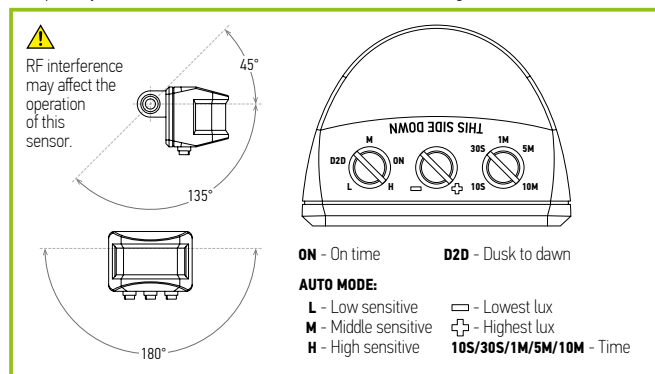
How to set: Slide the "Arrow Line" to the "On-Time" mode, other knobs don't need to be set.

D2D Dusk to dawn: The fixture will turn ON at dusk when the unit detects reduced light intensity (between 5-50 lux (0.5-4.7 fc)). The fixture will turn OFF at dawn when the unit detects increased light intensity (between 35-400 lux (3.3-37 fc)). The "D2D" Mode setting does not detect motion.

How to set: slide the "Arrow Line" all the way to the right to the "D2D" mode. Rotate the "lux" knob counter-clockwise all the way to the left (to the minimum setting). "Time" and "Range" don't need to be set. The "D2D" Mode setting does not detect motion.

Auto mode (H/M/L & lux & time):

- The light sensor and motion sensor work together.
- If ambient light is lower than the preset lux level and human movement is detected, the lights will turn on. The lights will shut off if no movement is detected after the hold time. The detection distance and hold time can be adjusted.
- If ambient light is brighter than the preset lux level, the lights will shut off completely. The detection distance and hold time settings will be invalid.



The fixture is set to "On-Time" mode by default.

Specifications	
Operating voltage	120 V
Detection distance	19-60 ft (5.8-18 m) adjustable
Installation height	8.2 ft (2.5 m)
Ambient light	< 10 lux (< 0.9 fc)
Hold-time	10 s - 10 min
Detection motion speed	0.6 - 1.5 m/s
Operating mode	On time/Auto/D2D
Detection range	Horizontal 180°, Vertical 180°

For most up-to-date spec sheets please refer to asd-lighting.com



LED SECURITY FLOODLIGHT

INSTALLATION GUIDE

IMPORTANT SAFETY INFORMATION:

Please read all the instructions below before installation.

- ▶ Make sure that the supply voltage corresponds to the rated product voltage.
- ▶ The product must be installed by a qualified electrician in accordance with the National Electrical Code and corresponding local codes.
- ▶ If the product is damaged, do not use it.

⚠ WARNING

RISK OF PERSONAL INJURY – READ and follow all WARNINGS and installation instructions. Keep or give to the owner for future reference.

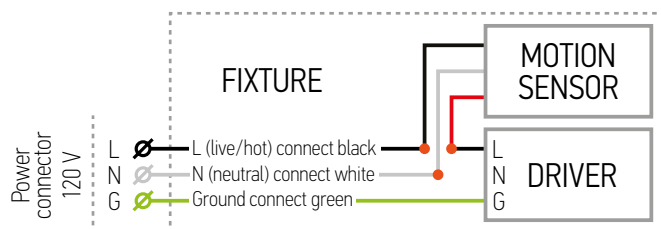
Risk of cuts: Wear gloves to prevent cuts or abrasions when removing from carton, handling, installing, and maintaining this product.

Risk of electric shock: This product must be installed in accordance with the applicable installation code by a person familiar with the construction and operation of the product and the hazards involved.

Risk of Fire: Minimum 194°F supply conductors. Consult a qualified electrician to ensure correct branch circuit conductor.

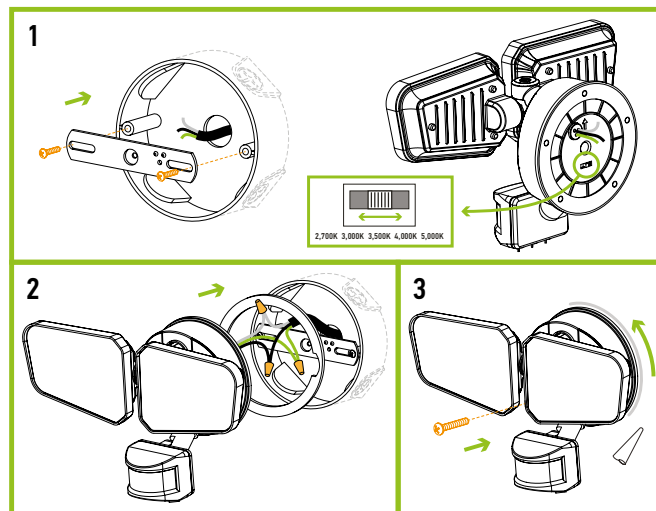
ASD® assumes no responsibility for claims arising out of improper or careless installation or handling of this product.

ELECTRICAL SCHEMATIC DIAGRAM:



INSTALLATION STEPS:

1. Attach crossbar to the outlet box using two mounting screws. Change the position of the CCT switch on the housing to the desired color temperature.
2. Tear off the EVA pad adhesive and stick it on the rear cover (pay attention to the direction of the gap). Thread the fixture wire through the gasket. Connect the wires: Black to Black, White to White, and Green to Green. Secure the connection with wire nuts.
3. Drive the bracket screw through the center hole of the fixture base to the crossbar and secure by tightening it. For outdoor locations it is recommended to use silicone (not included) as shown in the picture.



For most up-to-date spec sheets please refer to asd-lighting.com