



# LED SPORT LIGHT

► **DESIGN** - LED SPORT LIGHT has a die-cast aluminum housing with numerous vents on the heat sink for excellent heat dissipation. Advanced optics designed with unique multi-scale lenses provides uniform light distribution, glare-reduction maximizes the light output. CRI80+ rating provides rich and natural colors. It is designed to operate on 120-277V or 277-480V circuits with a 1-10V dimmable driver.

► **SURGE PROTECTION** - 10kV protects the fixture from voltage spikes and current surges.

► **3G** - vibration rated, withstands conditions with repeated vibration, making it conform to standards for roadway.

► **INSTALLATION** - This fixture is Wet Locations rated and has two mounting options with a standard floodlight bracket or a slip fitter. It comes with 6.5 ft cord. Perfect commercial or industrial solution for any outdoor sports lighting, parking lot lighting, dock lighting, high mast flood lighting, stadium lighting, and many other applications.

► **ADVANTAGES** - With calculated lifespan up to 145,000 hours, these fixtures are made to last decades under normal operation! ASD provides a 7-year limited warranty along with UL and DLC Premium certifications to guarantee top quality products and safety!

Catalog number	
Notes	
Type	



Model	Watts	Voltage	Dimmable	Lumens	CCT	Finish	Dimensions (LxWxH)	Beam angle	Cord
ASD-SPFL-300D50-PRM	300W	120-277 V	0-10 V	44,368 lm	5,000 K	Black/Red	15-11/16" x 14-1/2" x 14-1/2"	45°	6.5 ft
ASD-SPFL-500D50-PRM	500W	120-277 V	1-10 V	64,253 lm	5,000 K	Black/Red	15-11/16" x 14-1/2" x 14-1/2"	45°	6.5 ft
ASD-SPFL2-750D50-PRM	750W	120-277 V	0-10 V	93,236 lm	5,000 K	Black/Red	19-11/16" x 18-11/16" x 18-11/16"	40°	6.5 ft
ASD-SPFL2-1000D50-PRM	1000W	120-277 V	0-10 V	123,035 lm	5,000 K	Black/Red	19-11/16" x 18-11/16" x 18-11/16"	40°	6.5 ft
<b>SPFLHV HIGH VOLTAGE</b>									
ASD-SPFLHV-300D50-PRM	300W	277-480 V	1-10 V	44,361 lm	5,000 K	Black/Red	15-11/16" x 14-1/2" x 14-1/2"	45°	6.5 ft
ASD-SPFLHV-500D50-PRM	500W	277-480 V	1-10 V	71,788 lm	5,000 K	Black/Red	15-11/16" x 14-1/2" x 14-1/2"	45°	6.5 ft
ASD-SPFLHV-750D50-PRM	750W	277-480 V	1-10 V	99,235 lm	5,000 K	Black/Red	19-11/16" x 18-11/16" x 18-11/16"	40°	6.5 ft
ASD-SPFLHV-1000D50-PRM	1000W	277-480 V	0-10 V	133,788 lm	5,000 K	Black/Red	19-11/16" x 18-11/16" x 18-11/16"	40°	6.5 ft

## ORDERING INFORMATION

Model	UPC	Pcs. per carton	Carton size	Carton weight
ASD-SPFL-300D50-PRM	819201024674	1	17.7" x 17.7" x 14"	34.8 lbs
ASD-SPFL-500D50-PRM	819201024681	1	17.7" x 17.7" x 14"	36.4 lbs
ASD-SPFL2-750D50-PRM	810050735186	1	24.4" x 22.4" x 16.3"	64.8 lbs
ASD-SPFL2-1000D50-PRM	810050735179	1	24.4" x 22.4" x 16.3"	64.8 lbs
<b>SPFLHV HIGH VOLTAGE</b>				
ASD-SPFLHV-300D50-PRM	819201026272	1	17.7" x 17.7" x 14"	35.1 lbs
ASD-SPFLHV-500D50-PRM	819201025749	1	17.7" x 17.7" x 14"	36.4 lbs
ASD-SPFLHV-750D50-PRM	819201026289	1	24.4" x 22.4" x 16.3"	66.2 lbs
ASD-SPFLHV-1000D50-PRM	810050737340	1	24.4" x 22.4" x 16.3"	66.2 lbs

## ACCESSORIES:

Model	Description	UPC	Pcs. per carton	Carton size	Carton weight	GTIN 14
ASD-SF-SPFL-300/500	Slip fitter with straight arm bracket for 300-500W	819201026418	5	19.9" x 15.9" x 12.4"	42.5 lbs	10819201026415
ASD-SF-SPFL2	Slip fitter with straight arm bracket for 750-1000W	819201026500	4	23.8" x 15.7" x 17.9"	68.3 lbs	10819201026507
ASD-LS-SPFL	Laser pointer	819201026432	10	12.2" x 12.2" x 7.5"	12.8 lbs	10819201026439
ASD-L30-SPFL-300/500	30° Lens for 300-500W	819201024704	20	12.2" x 12.2" x 8.46"	11.02 lbs	10819201024701
ASD-L15-SPFL-600/1250	15° Lens for 600-1250W	819201024711	20	12.2" x 12.2" x 8.46"	12.35 lbs	10819201024718

For most up-to-date spec sheets please refer to [asd-lighting.com](http://asd-lighting.com)

ASD LIGHTING CORP

E-mail: [orders@asd-lighting.com](mailto:orders@asd-lighting.com) | Web site: [www.asd-lighting.com](http://www.asd-lighting.com)





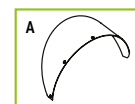
# LED SPORT LIGHT

## PRODUCT SPECIFICATIONS:

Construction & Materials						
Housing	Aluminum					
Lens	PC					
Visor	SPCC					
Finish	Black/Red					
Weight	ASD-SPFL-300D50-PRM	29.6 lbs (13.4 kg)	ASD-SPFL2-1000D50-PRM	54.5 lbs (24.7 kg)	ASD-SPFLHV-750D50-PRM	55.9 lbs (25.4 kg)
	ASD-SPFL-500D50-PRM	31.2 lbs (14.2 kg)	ASD-SPFLHV-300D50-PRM	29.9 lbs (13.6 kg)	ASD-SPFLHV-1000D50-PRM	
	ASD-SPFL2-750D50-PRM	54.5 lbs (24.7 kg)	ASD-SPFLHV-500D50-PRM	31.3 lbs (14.2 kg)		
Environmental system						
Work environment	Suitable for Wet Locations, IP66					
Operating temperature	-40°F to 122°F (-40°C to 50°C)					
L-70 Life	R > 54,000 hrs; C > 145,000 hrs		for ASD-SPFLHV-1000D50-PRM model: R > 60,000 hrs; C > 429,000 hrs			
Optical system						
Luminous flux	ASD-SPFL-300D50-PRM	44,368 lm	ASD-SPFL2-1000D50-PRM	123,035 lm	ASD-SPFLHV-750D50-PRM	99,235 lm
	ASD-SPFL-500D50-PRM	64,253 lm	ASD-SPFLHV-300D50-PRM	44,361 lm	ASD-SPFLHV-1000D50-PRM	133,788 lm
	ASD-SPFL2-750D50-PRM	93,236 lm	ASD-SPFLHV-500D50-PRM	71,788 lm		
Color temperature	5,000 K					
CRI	ASD-SPFL-300D50-PRM	> 80	ASD-SPFL2-1000D50-PRM	> 80	ASD-SPFLHV-750D50-PRM	> 70
	ASD-SPFL-500D50-PRM		ASD-SPFLHV-300D50-PRM		ASD-SPFLHV-1000D50-PRM	
	ASD-SPFL2-750D50-PRM		ASD-SPFLHV-500D50-PRM			
Electrical system						
Input voltage	Regular voltage: 120-277 V					
	High voltage: 277-480 V					
Max input current	ASD-SPFL-300D50-PRM	2.5 A	ASD-SPFL2-1000D50-PRM	8.3 A	ASD-SPFLHV-750D50-PRM	2.7 A
	ASD-SPFL-500D50-PRM	4.2 A	ASD-SPFLHV-300D50-PRM	1.1 A	ASD-SPFLHV-1000D50-PRM	3.6 A
	ASD-SPFL2-750D50-PRM	6.25 A	ASD-SPFLHV-500D50-PRM	1.8 A		
Inrush current (Action time)	ASD-SPFL-300D50-PRM	70 A (0.57 S)	ASD-SPFL2-1000D50-PRM	120 A (0.6 S)	ASD-SPFLHV-750D50-PRM	50 A (0.53 S)
	ASD-SPFL-500D50-PRM	75 A (0.57 S)	ASD-SPFLHV-300D50-PRM	50 A (0.85 S)	ASD-SPFLHV-1000D50-PRM	
	ASD-SPFL2-750D50-PRM	120 A (0.6 S)	ASD-SPFLHV-500D50-PRM	50 A (0.53 S)		
Off state power	0W					
Power consumption	ASD-SPFL-300D50-PRM	300W	ASD-SPFL2-1000D50-PRM	1000W	ASD-SPFLHV-750D50-PRM	750W
	ASD-SPFL-500D50-PRM	500W	ASD-SPFLHV-300D50-PRM	300W	ASD-SPFLHV-1000D50-PRM	1000W
	ASD-SPFL2-750D50-PRM	750W	ASD-SPFLHV-500D50-PRM	500W		
Power factor	> 0.9					
Output voltage	SPFL: 48 V		SPFL2: 64 V			
Max output current	ASD-SPFL-300D50-PRM	6.0 A	ASD-SPFL2-1000D50-PRM	14.7 A	ASD-SPFLHV-750D50-PRM	14.5 A
	ASD-SPFL-500D50-PRM	9.7 A	ASD-SPFLHV-300D50-PRM	5.9 A	ASD-SPFLHV-1000D50-PRM	19.27 A
	ASD-SPFL2-750D50-PRM	11 A	ASD-SPFLHV-500D50-PRM	9.7 A		
Surge protection DM/CM	10 kV / 10 kV					
Dimming compatible controls			Effective projected area (EPA)			
Brand	Leviton	Lutron	Standard bracket	300-500W	1.371 ft <sup>2</sup>	
	ZS057-D0Z	MS-Z101		600-1250W	2.021 ft <sup>2</sup>	
Models	DD710	DVSTV				
	DS710	NTSTV				
	IP710	DVTV				
Regular and voluntary certifications						
Warranty 7-years for operating less than 19Hrs per day, with ambient temperature < 40°						
DesignLights Consortium (DLC) listed (Classification: Premium)						
Main: Outdoor luminaires; General application: Very high output;						
Primary use: Architectural flood and spot luminaires						
UL listed E473804						

## PACKAGE CONTENTS:

Description	Q-ty
LED Sport Light Fixture	1
Visor (A)	1
Box	1

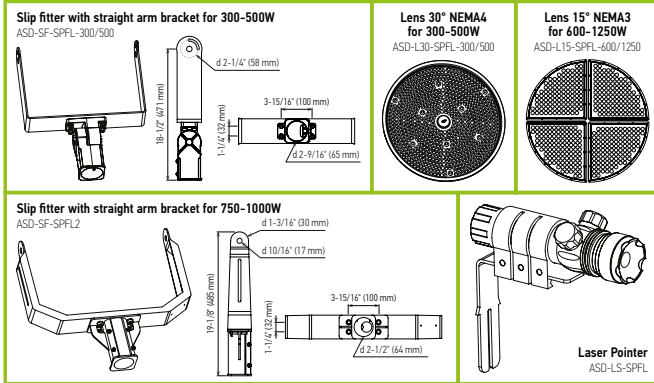


For most up-to-date spec sheets please refer to [asd-lighting.com](http://asd-lighting.com)



# LED SPORT LIGHT

## ACCESSORIES (sold separately):



## ACCESSORY COMPATIBILITY LIST:

Accessories	Slip-fitter with straight arm bracket for 300-500W ASD-SF-SPFL-300/500	Slip-fitter with straight arm bracket for 750-1000W ASD-SF-SPFL2	Laser pointer ASD-LS-SPFL	30° Lens for 300-500W ASD-L30-SPFL-300/500	15° Lens for 600-1250W ASD-L15-SPFL-600/1250
ASD-SPFL-300D50-PRM	•		•	•	
ASD-SPFL-500D50-PRM	•		•	•	
ASD-SPFL2-750D50-PRM		•	•		•
ASD-SPFL2-1000D50-PRM		•	•		•
ASD-SPFLHV-300D50-PRM	•		•	•	
ASD-SPFLHV-500D50-PRM	•		•	•	
ASD-SPFLHV-750D50-PRM		•	•		•
ASD-SPFLHV-1000D50-PRM		•	•		•

## INSTALLATION GUIDE

### IMPORTANT SAFETY INFORMATION:

Please read all the instructions below before installation.

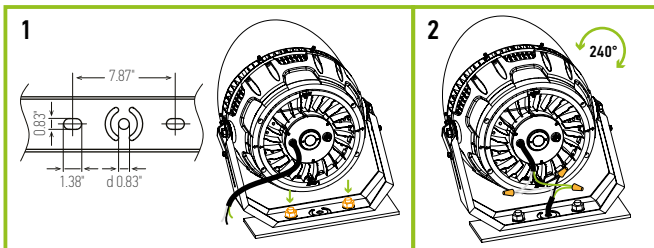
- ▶ Make sure that the supply voltage corresponds to the rated product voltage.
- ▶ The product must be installed by a qualified electrician in accordance with the National Electrical Code and corresponding local codes.
- ▶ If the product is damaged, do not use it.

### ⚠ WARNING

**RISK OF PERSONAL INJURY – READ and follow all WARNINGS and installation instructions.** Keep or give to the owner for future reference.  
**Risk of cuts:** Wear gloves to prevent cuts or abrasions when removing from carton, handling, installing, and maintaining this product.  
**Risk of electric shock:** This product must be installed in accordance with the applicable installation code by a person familiar with the construction and operation of the product and the hazards involved.  
**Risk of Fire:** Minimum 194°F supply conductors. Consult a qualified electrician to ensure correct branch circuit conductor.  
 ASD® assumes no responsibility for claims arising out of improper or careless Installation or handling of this product.

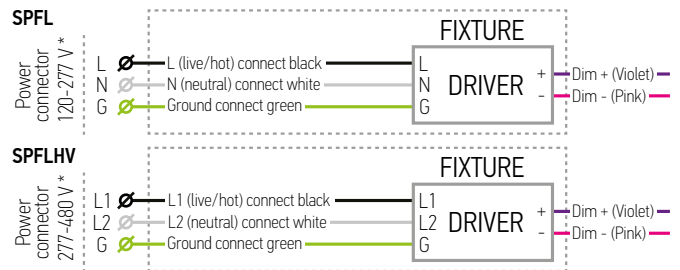
### INSTALLATION STEPS:

- Figure 1 shows the bolt pattern of the mount. Secure the fixture using the 2 mounting holes.
- Pull the wire through the center hole to complete the wiring. Make sure that your connection is watertight.



\* Pointing the lenses upward is not recommended. It may cause lenses pollution leading to fixture poor performance.

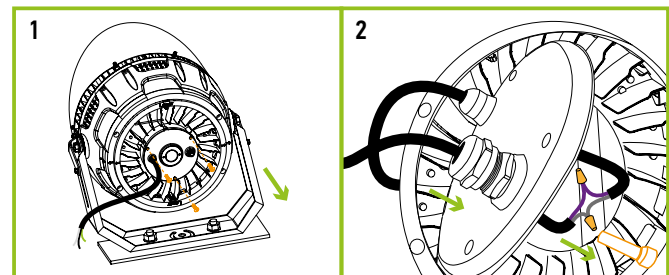
### ELECTRICAL SCHEMATIC DIAGRAM:



\* The regular voltage 120-277V fixtures can be alternatively powered without neutral by two-phase circuit with phase-to-phase voltage of 208V (L1-120V & L2-120V).  
**WARNING:** Phase-to-phase voltage should be less than 277V (160V per each phase) and more than 120V (70V per each phase)! Do not confuse Regular Voltage fixtures of 120-277V with High Voltage ones of 277-480V!

### DIMMING WIRES CONNECTION:

- Using a screw driver remove the circular plate on the back of the fixture.
- Connect the dimming wires and bring them through the back plate. Reattach cover and tighten the bolts. If the cover is installed incorrectly the warranty will be voided. Make sure that your connection is watertight.



For most up-to-date spec sheets please refer to [asd-lighting.com](http://asd-lighting.com)

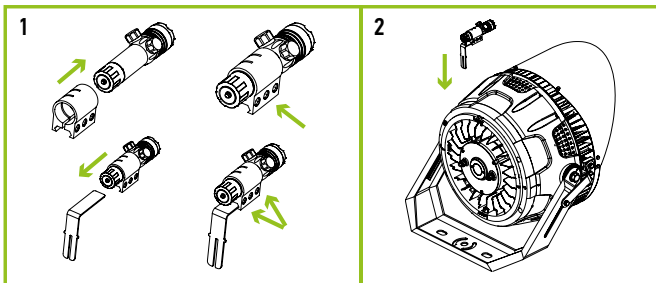


# LED SPORT LIGHT

## LASER POINTER INSTALLATION

**ASD-LS-SPFL** sold separately:

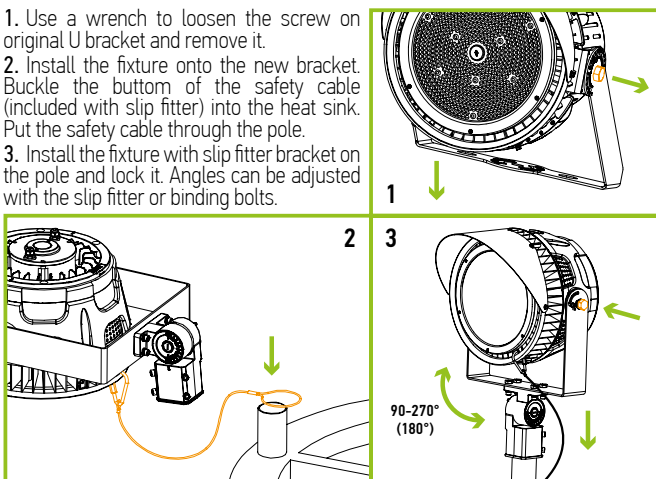
1. Attach the laser pointer to the holder. Loosen the hex screws. Slide the holder over the L bracket. Tighten the hex screws.
2. Find the mounting hole marked "Laser" on the lighting fixture. Attach.



## SLIP-FITTER 300-500W INSTALLATION

**ASD-SF-SPFL-300/500** sold separately:

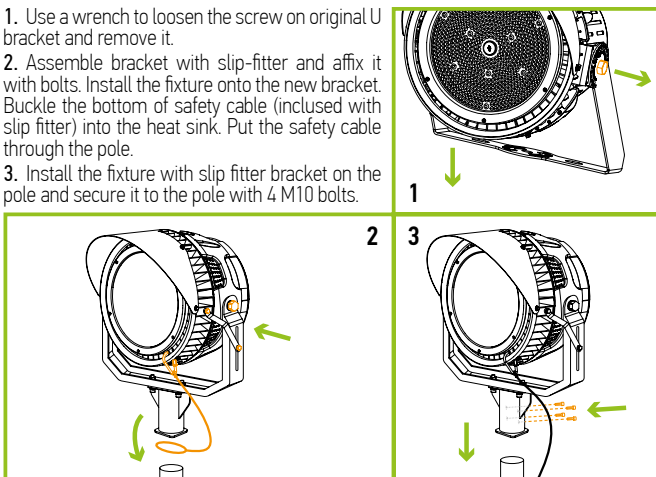
1. Use a wrench to loosen the screw on original U bracket and remove it.
2. Install the fixture onto the new bracket. Buckle the bottom of the safety cable (included with slip fitter) into the heat sink. Put the safety cable through the pole.
3. Install the fixture with slip fitter bracket on the pole and lock it. Angles can be adjusted with the slip fitter or binding bolts.



## SLIP-FITTER 750-1000W INSTALLATION

**ASD-SF-SPFL2** sold separately:

1. Use a wrench to loosen the screw on original U bracket and remove it.
2. Assemble bracket with slip-fitter and affix it with bolts. Install the fixture onto the new bracket. Buckle the bottom of safety cable (included with slip fitter) into the heat sink. Put the safety cable through the pole.
3. Install the fixture with slip fitter bracket on the pole and secure it to the pole with 4 M10 bolts.

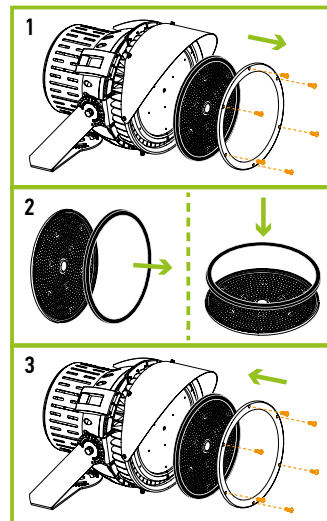
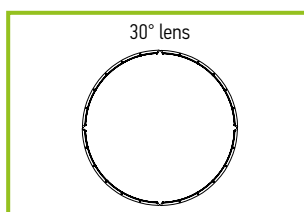


## LENS INSTALLATION FOR 300-500W

**ASD-L30-SPFL-300/500** sold separately:

1. Remove the 6 screws that hold the face ring and the lens to the fixture.
2. Remove the waterproof ring from the original lens and attach it to the new lens.
3. Reattach the new lens, waterproof ring, and face ring to the fixture with 6 screws.

Power	300W	500W
30°		1 pcs 30° lens
45°		Default

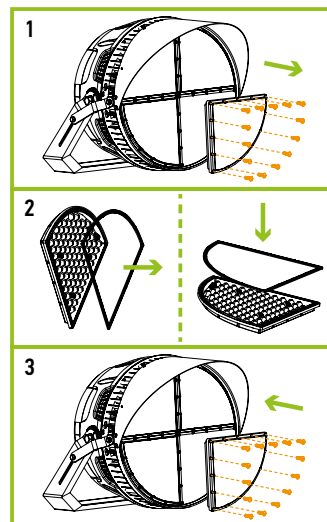
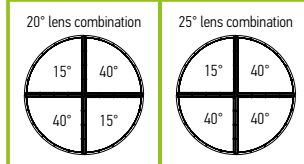


## LENS INSTALLATION FOR 750-1000W

**ASD-L15-SPFL-600/1250** sold separately:

1. Remove the 14 screws that hold each face ring and lens to the fixture (56 screws total).
2. Remove the waterproof ring from the original lens and attach it to the new lens.
3. Reattach the new lens, waterproof ring, and face ring to the fixture with 14 screws (56 screws total).

Power	750W	1000W
15°		4 pcs 15° lens
20°	2 pcs 15° lens + 2 pcs 40° lens	
25°	1 pcs 15° lens + 3 pcs 40° lens	
40°		Default



For most up-to-date spec sheets please refer to [asd-lighting.com](http://asd-lighting.com)