



LED VANITY LINEAR

LVF21 series

► **DESIGN** - LED VANITY LINEAR has a sleek, modern design that allows you to have a stylish look with efficient lighting. Durable housing resistant to rust and impact provides many years of service. The acrylic lens with a 130° beam angle grants you even light distribution. It is designed to operate on 120V circuits.

► **COLOR SELECTABLE** - You can choose either a 3,000K warm white, 4,000K cool white or 5,000K daylight color temperature.

► **DIMMING** - Smooth triac dimming capabilities ranging from 10% to 100% with modern LED dimmers allow you to control the look and feel of your space.

► **APPLICATION** - This fixture creates a bright light that is perfect for bathroom spaces or any other common areas. It is also Damp Locations rated. Can be installed vertically and horizontally.

► **ADVANTAGES** - With a lifespan of 50,000 hours, these fixtures are made to last decades under normal operation! ASD provides a 5-year limited warranty along with ETL and Energy Star certifications to guarantee top quality products and safety!

Catalog number	
Notes	
Type	



Model	Size	Watts	Voltage	Dimmable	Lumens	CCT	Finish	Dimensions (LxWxH)
ASD-LVF21-18D20CC-NK	18 inch	20W	120 V	TRIAC	1,400/1,620/1,570 lm	3CCT (3,000/4,000/5,000 K)	Nickel	19-1/8" x 5-7/8" x 4"
ASD-LVF21-18D20CC-NK-2PACK	18 inch	20W	120 V	TRIAC	1,400/1,620/1,570 lm	3CCT (3,000/4,000/5,000 K)	Nickel	19-1/8" x 5-7/8" x 4"
ASD-LVF21-MV-18D20NK	18 inch	20W	120-277 V	TRIAC	2,031/2,259/2,199 lm	3CCT (3,000/4,000/5,000 K)	Nickel	19-1/8" x 5-7/8" x 4"
ASD-LVF21-18D20CC-BZ	18 inch	20W	120 V	TRIAC	1,400/1,620/1,570 lm	3CCT (3,000/4,000/5,000 K)	Oil rubbed bronze	19-1/8" x 5-7/8" x 4"
ASD-LVF21-18D20CC-BK	18 inch	20W	120 V	TRIAC	1,400/1,620/1,570 lm	3CCT (3,000/4,000/5,000 K)	Black	19-1/8" x 5-7/8" x 4"
ASD-LVF21-24D25CC-NK	24 inch	25W	120 V	TRIAC	1,750/1,950/1,900 lm	3CCT (3,000/4,000/5,000 K)	Nickel	25-9/16" x 5-7/8" x 4"
ASD-LVF21-MV-24D25NK	24 inch	25W	120-277 V	TRIAC	2,337/2,598/2,526 lm	3CCT (3,000/4,000/5,000 K)	Nickel	25-9/16" x 5-7/8" x 4"
ASD-LVF21-24D25CC-NK-2PACK	24 inch	25W	120 V	TRIAC	1,750/1,950/1,900 lm	3CCT (3,000/4,000/5,000 K)	Nickel	25-9/16" x 5-7/8" x 4"
ASD-LVF21-24D25CC-BZ	24 inch	25W	120 V	TRIAC	1,750/1,950/1,900 lm	3CCT (3,000/4,000/5,000 K)	Oil rubbed bronze	25-9/16" x 5-7/8" x 4"
ASD-LVF21-24D25CC-BK	24 inch	25W	120 V	TRIAC	1,750/1,950/1,900 lm	3CCT (3,000/4,000/5,000 K)	Black	25-9/16" x 5-7/8" x 4"
ASD-LVF21-36D30CC-NK	36 inch	30W	120 V	TRIAC	2,400/2,640/2,535 lm	3CCT (3,000/4,000/5,000 K)	Nickel	37-3/16" x 5-7/8" x 4"
ASD-LVF21-36D30CC-BK	36 inch	30W	120 V	TRIAC	2,400/2,640/2,535 lm	3CCT (3,000/4,000/5,000 K)	Black	37-3/16" x 5-7/8" x 4"
ASD-LVF21-48D35CC-NK	48 inch	35W	120 V	TRIAC	2,975/3,205/3,125 lm	3CCT (3,000/4,000/5,000 K)	Nickel	49" x 5-7/8" x 4"

ORDERING INFORMATION

Model	UPC	Pcs. per carton	Carton size	Carton weight	GTIN 14
ASD-LVF21-18D20CC-NK	819201028214	4	20.5" x 16.3" x 12.6"	23 lbs	30819201028215
ASD-LVF21-18D20CC-NK-2PACK	810050734295	2	20.5" x 15.4" x 12.6"	19.8 lbs	10810050734292
ASD-LVF21-MV-18D20NK	810128113939	4	20.5" x 16.3" x 12.6"	23 lbs	10810128113936
ASD-LVF21-18D20CC-BZ	819201028221	4	20.5" x 16.3" x 12.6"	23 lbs	30819201028222
ASD-LVF21-18D20CC-BK	810128112109	4	20.5" x 16.3" x 12.6"	23 lbs	10810128112106
ASD-LVF21-24D25CC-NK	819201028238	4	27.2" x 16.3" x 12.6"	24.2 lbs	30819201028239
ASD-LVF21-MV-24D25NK	810128113946	4	27.2" x 16.3" x 12.6"	24.2 lbs	10810128113943
ASD-LVF21-24D25CC-NK-2PACK	810050733663	2	27.2" x 8.5" x 12.6"	12.3 lbs	-
ASD-LVF21-24D25CC-BZ	819201028252	4	27.2" x 16.3" x 12.6"	24.2 lbs	30819201028253
ASD-LVF21-24D25CC-BK	810128112116	4	27.2" x 16.3" x 12.6"	24.2 lbs	10810128112113
ASD-LVF21-36D30CC-NK	810050731898	4	38.8" x 16.3" x 12.6"	32.2 lbs	50810050731893
ASD-LVF21-36D30CC-BK	810128112123	4	38.8" x 16.3" x 12.6"	32.2 lbs	10810128112120
ASD-LVF21-48D35CC-NK	810050732833	4	50.6" x 16.3" x 12.6"	40.5 lbs	30810050732834

For most up-to-date spec sheets please refer to asd-lighting.com



LED VANITY LINEAR

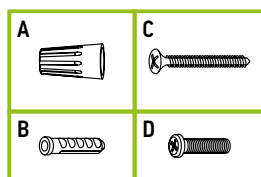
LVF21 series

PRODUCT SPECIFICATIONS:

Construction & Materials			Electrical system			
Housing	Steel		Input voltage	120 V		
Lens	Acrylic			for MV models: 120-277 V		
Finish	Nickel, Oil rubbed bronze, Black			ASD-LVF21-18D20CC-NK		
Weight	ASD-LVF21-18D20CC-NK	4 lbs (1.8 kg)	Max input current	ASD-LVF21-18D20CC-NK-2PACK	0.19 A	
	ASD-LVF21-18D20CC-NK-2PACK	7.9 lbs (3.6 kg)		ASD-LVF21-18D20NK	0.18 A	
	ASD-LVF21-MV-18D20NK	4 lbs (1.8 kg)		ASD-LVF21-18D20CC-BZ	0.19 A	
	ASD-LVF21-18D20CC-BZ			ASD-LVF21-18D20CC-BK	0.28 A	
	ASD-LVF21-18D20CC-BK			ASD-LVF21-24D25CC-NK	0.23 A	
	ASD-LVF21-24D25CC-NK	4.6 lbs (2.1 kg)		ASD-LVF21-24D25CC-NK-2PACK	ASD-LVF21-24D25CC-BZ	0.28 A
	ASD-LVF21-24D25CC-NK-2PACK	9.3 lbs (4.2 kg)			ASD-LVF21-24D25CC-BK	
	ASD-LVF21-24D25CC-BZ	4.6 lbs (2.1 kg)			ASD-LVF21-36D30CC-NK	
	ASD-LVF21-24D25CC-BK	6.3 lbs (2.9 kg)		ASD-LVF21-36D30CC-BK		
	ASD-LVF21-36D30CC-NK			8 lbs (3.6 kg)	ASD-LVF21-48D35CC-NK	0.4 A
	ASD-LVF21-36D30CC-BK					ASD-LVF21-18D20CC-NK
	ASD-LVF21-48D35CC-NK			ASD-LVF21-18D20CC-NK-2PACK	0.17 A (0.1 S)	
Environmental system			Inrush current (Action time)	ASD-LVF21-MV-18D20NK	0.16 A (0.1 S)	
Work environment	Suitable for Damp Locations			ASD-LVF21-18D20CC-BZ	0.2 A (0.1 S)	
Operating temperature	-4°F to 113°F (-20°C to 45°C)			ASD-LVF21-18D20CC-BK	0.21 A (0.1 S)	
L-70 life	> 50,000 hrs			ASD-LVF21-24D25CC-NK	0.2 A (0.1 S)	
Optical system			Off state power	ASD-LVF21-24D25CC-NK-2PACK	0.25 A (0.1 S)	
Luminous flux	ASD-LVF21-18D20CC-NK	1,400/1,620/1,570 lm		ASD-LVF21-36D30CC-NK	0.3 A (0.1 S)	
	ASD-LVF21-18D20CC-NK-2PACK			ASD-LVF21-36D30CC-BK		
	ASD-LVF21-MV-18D20NK	2,031/2,259/2,199 lm		ASD-LVF21-48D35CC-NK	0W	
	ASD-LVF21-18D20CC-BZ	1,400/1,620/1,570 lm				
	ASD-LVF21-18D20CC-BK	1,750/1,950/1,900 lm		ASD-LVF21-18D20CC-NK	20W	
	ASD-LVF21-24D25CC-NK	2,337/2,598/2,526 lm				
	ASD-LVF21-MV-24D25NK	1,750/1,950/1,900 lm		ASD-LVF21-18D20CC-NK-2PACK	25W	
	ASD-LVF21-24D25CC-NK-2PACK			ASD-LVF21-24D25CC-BZ		
	ASD-LVF21-24D25CC-BZ	2,400/2,640/2,535 lm		ASD-LVF21-24D25CC-BK	30W	
	ASD-LVF21-36D30CC-NK		ASD-LVF21-36D30CC-NK			
ASD-LVF21-36D30CC-BK	2,975/3,205/3,125 lm	ASD-LVF21-36D30CC-BK	35W			
ASD-LVF21-48D35CC-NK		ASD-LVF21-48D35CC-NK				
Color temperature	3CCT switch (3,000/4,000/5,000 K), 3,000 K by default		Power consumption	ASD-LVF21-18D20CC-NK	25W	
CRI	> 80			ASD-LVF21-18D20CC-NK-2PACK		
Dimming compatible controls			Power factor	ASD-LVF21-24D25CC-NK	30W	
Brand	Lutron	Leviton		ASD-LVF21-24D25CC-BZ		
Models	MACL-153MLH-WH	R02-DW6HD-2RW		ASD-LVF21-24D25CC-BK	35W	
	STCL-153PH-WH	R00-RNL06-0TW		ASD-LVF21-36D30CC-NK		
	PD-6WCL-WH-R	R68-06674-P0T		ASD-LVF21-36D30CC-BK		
	DVCL-153PR	DSL06		ASD-LVF21-48D35CC-NK		
	P-PKG1W					
			Output voltage	- for MV models: 18-40 V		
			Max output current	- for ASD-LVF21-MV-18D20NK model: 0.52 A for ASD-LVF21-MV-24D25NK model: 0.6 A		
			Surge protection DM/CM	1.25 kV / 1.25 kV		
			Dimming range			
			10-100%			
			Regular and voluntary certifications			
			5-year limited warranty			
			Energy Star listed (except MV models)			
			cETLus certified 4001256			

PACKAGE CONTENTS:

Description	Q-ty
LED Vanity Linear	1 (2 for 2 pack)
Wire nut (A)	3
Anchor (B)	2
13/18" screw (C)	2
13/16" screw (D)	2
Box	1



For most up-to-date spec sheets please refer to asd-lighting.com

ASD LIGHTING CORP

E-mail: orders@asd-lighting.com | Web site: www.asd-lighting.com





LED VANITY LINEAR

LVF21 series

INSTALLATION GUIDE

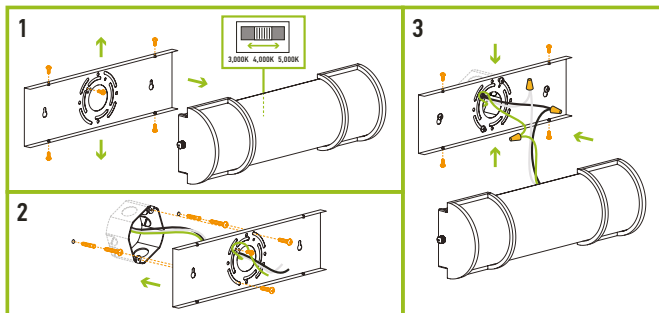
IMPORTANT SAFETY INFORMATION:

Please read all the instructions below before installation.

- ▶ Make sure that the supply voltage corresponds to the rated product voltage.
- ▶ The product must be installed by a qualified electrician in accordance with the National Electrical Code and corresponding local codes.
- ▶ If the product is damaged, do not use it.

INSTALLATION STEPS:

1. Detach the fixture body from the back plate. Choose needed color temperature by adjusting the switch position on the back of the fixture.
2. Place the back plate against the wall covering the outlet box, mark placement of the mounting keyhole slots and drill appropriate sized holes for wall anchors. Attach the back plate to the wall with two outlet box screws and two anchor screws.
3. Connect the wires: Black to Black, White to White, Green to Green. Secure the connection with wire nuts. Attach the fixture body to the back plate using four small screws.



⚠ WARNING

RISK OF PERSONAL INJURY – READ and follow all WARNINGS and installation instructions. Keep or give to the owner for future reference.

Risk of cuts: Wear gloves to prevent cuts or abrasions when removing from carton, handling, installing, and maintaining this product.

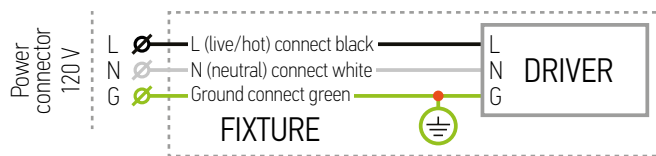
Risk of electric shock: This product must be installed in accordance with the applicable installation code by a person familiar with the construction and operation of the product and the hazards involved.

Risk of Fire: Minimum 194°F supply conductors. Consult a qualified electrician to ensure correct branch circuit conductor.

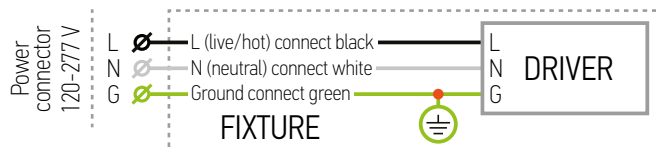
ASD® assumes no responsibility for claims arising out of improper or careless Installation or handling of this product.

ELECTRICAL SCHEMATIC DIAGRAM:

LVF21



LVF21-MV



For most up-to-date spec sheets please refer to asd-lighting.com