



NEW CONSTRUCTION FLAT MOUNTING PLATE

► **DESIGN & OPTIONS** - NEW CONSTRUCTION FLAT MOUNTING PLATE WITH AN ASYMMETRIC SQUARE HOLE is a universal and handy solution for new construction. This durable fixture is the best choice for any ceiling space. Included mounting holes and tracks mean these plates will fit perfectly in many different structural layouts. Alignment notches on the plate help to align multiple plates. It has a multipurpose design that allows you to accommodate a range of 3", 4", and 6" LED recessed lights.

► **INSTALLATION** - Installation is quick and easy. Just adjust the mounting plate position and fix it with screws or nails. You can also secure the J-box position. Remove the metal template of the needed size and install your light Refer to install instructions for detailed steps.

► **APPLICATION** - This NEW CONSTRUCTION FLAT MOUNTING PLATE WITH AN ASYMMETRIC SQUARE HOLE is a great solution for both residential and commercial projects. It is perfect for installing LED recessed lighting kits into newly constructed or remodeled homes.

PRODUCT LEGEND:

Family	Cut hole shape	Cut hole size	Installation
ASD-MPL	X	X	XX
New Construction Flat Mounting Plate	S = Square	3 = 3 inch	FA = Flat Asymmetric
		4 = 4 inch	
		6 = 6 inch	

NEW CONSTRUCTION FLAT MOUNTING PLATE:

Model	Cut hole size	Dimensions (LxW)	UPC
ASD-MPLS-346-FA	3-4-6"	13 1/4" x 9 1/16"	810050733861

PRODUCT SPECIFICATIONS:

Construction & Materials	
Housing	Iron
Weight	0.9 lb (0.4 kg)
Environmental System	
Work Environment	Suitable for Dry Locations
Regular and Voluntary Certifications	
5-year limited warranty	

INSTALLATION GUIDE

IMPORTANT SAFETY INFORMATION:

Please read all the instructions below before installation.

► The product must be installed by a qualified electrician in accordance with the National Electrical Code and corresponding local codes.

► If the product is damaged, do not use it.

⚠ WARNING

RISK OF PERSONAL INJURY – READ and follow all WARNINGS and installation instructions.

Keep or give to the owner for future reference.

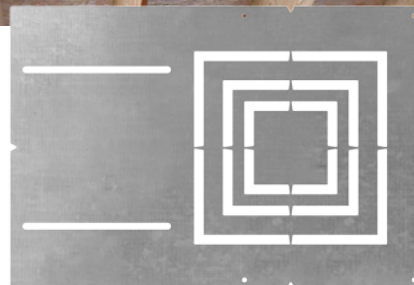
Risk of cuts: Wear gloves to prevent cuts or abrasions when removing from carton, handling, installing, and maintaining this product.

ASD® assumes no responsibility for claims arising out of improper or careless installation or handling of this product.

ORDERING INFORMATION:

Model	Pcs in middle box	Middle box Size	Middle box Weight	GTIN 14 for Middle box	Pcs. per Carton	Carton Size	Carton Weight	GTIN 14 for Carton
ASD-MPLS-346-FA	6	9.3" x 0.6" x 13.6"	5.5 lb	10810050733868	24	27.2" x 9.1" x 3.1"	22.9 lb	20810050733865

Catalog number	
Notes	
Type	

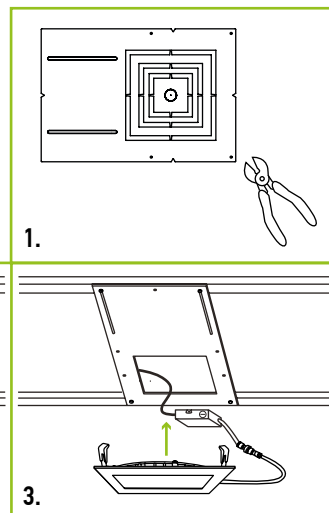


PACKAGE CONTENTS:

Description	Q-ty
New Construction Flat Mounting Plate	6
Box	1
Cut sheet	2

INSTALLATION STEPS:

1. Remove the metal ring from the mounting plate, according to the size of fixture.
2. Place the Mounting plate and fix its position with the screws on the beams.
3. Put the fixture into the installation hole.



For most up-to-date spec sheets please refer to asd-lighting.com