



LED DOUBLE RING FLUSHMOUNT

► **DESIGN** - LED DOUBLE RING FLUSHMOUNT has a modern, multipurpose design and a stylish look with efficient lighting. Durable housing resistant to rust and impact along with an acrylic lens provide many years of use. It is designed to operate on 120V or 120-277V circuits.

► **COLOR SELECTABLE** - You can choose either a 2,700K soft white, 3,000K warm white, 3,500K neutral white, 4,000K cool white, or 5,000K daylight color temperature.

► **BATTERY BACK-UP** - The built-in battery back-up provide 90 minutes of power in case of emergency.

► **MOTION SENSOR** - The built-in microwave motion sensor will turn the fixture off automatically when no motion is detected.

► **DIMMING** - Smooth triac dimming capabilities ranging from 10% to 100% with modern LED dimmers allow you to control the look and feel of your space.

► **APPLICATION** - The fixture provides bright, yet smooth lighting for your family room, bedroom, hallway, corridor, or any other common areas. 2.75" and 3.5" mounting holes help you expand your installation options. This fixture is also Damp Locations rated.

► **ADVANTAGES** - With a lifespan of 50,000 hours, these fixtures are made to last decades under normal operation! ASD provides a 5-year limited warranty along with ETL and Energy Star certifications to guarantee top quality products and safety.

| | |
|----------------|--|
| Catalog number | |
| Notes | |
| Type | |



Finish: Nickel Bronze Black

| Model | Size | Watts | Voltage | Dimmable | Lumens | CCT | Finish | Dimensions (LxWxH) |
|--------------------------------------|---------|-------|-----------|----------|----------------|--|-------------------|---------------------------------|
| LFMDR | | | | | | | | |
| ASD-LFMDR-10D16CC-NK | 10 inch | 16W | 120 V | TRIAC | up to 1,041 lm | 3CCT (3,000/4,000/5,000 K) | Nickel | 10-5/16" x 10-5/16" x 3-1/2" |
| ASD-LFMDR-10D16CC-BK | 10 inch | 16W | 120 V | TRIAC | up to 1,041 lm | 3CCT (3,000/4,000/5,000 K) | Black | 10-5/16" x 10-5/16" x 3-1/2" |
| ASD-LFMDR-12D15CC-NK | 12 inch | 15W | 120 V | TRIAC | up to 1,094 lm | 3CCT (3,000/4,000/5,000 K) | Nickel | 11-13/16" x 11-13/16" x 3-1/8" |
| ASD-LFMDR-12D20CC-NK | 12 inch | 20W | 120 V | TRIAC | up to 1,532 lm | 3CCT (3,000/4,000/5,000 K) | Nickel | 11-13/16" x 11-13/16" x 3-1/8" |
| ASD-LFMDR-MV-12D20CC-NK | 12 inch | 20W | 120-277 V | TRIAC | up to 1,580 lm | 3CCT (3,000/4,000/5,000 K) | Nickel | 11-13/16" x 11-13/16" x 3-1/8" |
| ASD-LFMDR-12D20CC-BK | 12 inch | 20W | 120 V | TRIAC | up to 1,532 lm | 3CCT (3,000/4,000/5,000 K) | Black | 11-13/16" x 11-13/16" x 3-1/8" |
| ASD-LFMDR-14D21CC-NK | 14 inch | 21W | 120 V | TRIAC | up to 1,675 lm | 3CCT (3,000/4,000/5,000 K) | Nickel | 14" x 14" x 3-9/16" |
| ASD-LFMDR-MV-14D21CC-NK | 14 inch | 21W | 120-277 V | TRIAC | up to 1,725 lm | 3CCT (3,000/4,000/5,000 K) | Nickel | 14" x 14" x 3-9/16" |
| ASD-LFMDR-14D21CC-BZ | 14 inch | 21W | 120 V | TRIAC | up to 1,675 lm | 3CCT (3,000/4,000/5,000 K) | Oil rubbed bronze | 14" x 14" x 3-9/16" |
| ASD-LFMDR-14D21CC-BK | 14 inch | 21W | 120 V | TRIAC | up to 1,675 lm | 3CCT (3,000/4,000/5,000 K) | Black | 14" x 14" x 3-9/16" |
| ASD-LFMDR-16D24CC-NK | 16 inch | 24W | 120 V | TRIAC | up to 1,854 lm | 3CCT (3,000/4,000/5,000 K) | Nickel | 15-3/4" x 15-3/4" x 3-3/4" |
| ASD-LFMDR-MV-16D24CC-NK | 16 inch | 24W | 120-277 V | TRIAC | up to 2,118 lm | 3CCT (3,000/4,000/5,000 K) | Nickel | 15-3/4" x 15-3/4" x 3-3/4" |
| ASD-LFMDR-16D24CC-BZ | 16 inch | 24W | 120 V | TRIAC | up to 1,854 lm | 3CCT (3,000/4,000/5,000 K) | Oil rubbed bronze | 15-3/4" x 15-3/4" x 3-3/4" |
| ASD-LFMDR-16D24CC-BK | 16 inch | 24W | 120 V | TRIAC | up to 1,854 lm | 3CCT (3,000/4,000/5,000 K) | Black | 15-3/4" x 15-3/4" x 3-3/4" |
| ASD-LFMDR-18D28CC-NK | 18 inch | 28W | 120 V | TRIAC | up to 2,230 lm | 3CCT (3,000/4,000/5,000 K) | Nickel | 17-11/16" x 17-11/16" x 4-1/16" |
| ASD-LFMDR-MV-18D28CC-NK | 18 inch | 28W | 120-277 V | TRIAC | up to 2,744 lm | 3CCT (3,000/4,000/5,000 K) | Nickel | 17-11/16" x 17-11/16" x 4-1/16" |
| ASD-LFMDR-18D28CC-BZ | 18 inch | 28W | 120 V | TRIAC | up to 2,230 lm | 3CCT (3,000/4,000/5,000 K) | Oil rubbed bronze | 17-11/16" x 17-11/16" x 4-1/16" |
| ASD-LFMDR-18D28CC-BK | 18 inch | 28W | 120 V | TRIAC | up to 2,230 lm | 3CCT (3,000/4,000/5,000 K) | Black | 17-11/16" x 17-11/16" x 4-1/16" |
| FMOV | | | | | | | | |
| ASD-FMOV-24D38NK | 24 inch | 38W | 120 V | TRIAC | up to 3,289 lm | 5CCT (2,700/3,000/3,500/4,000/5,000 K) | Nickel | 24" x 13-9/16" x 4-5/16" |
| ASD-FMOV-24D38BK | 24 inch | 38W | 120 V | TRIAC | up to 3,289 lm | 5CCT (2,700/3,000/3,500/4,000/5,000 K) | Black | 24" x 13-9/16" x 4-5/16" |
| ASD-FMOV-32D50NK | 32 inch | 50W | 120 V | TRIAC | up to 4,195 lm | 5CCT (2,700/3,000/3,500/4,000/5,000 K) | Nickel | 35-5/16" x 18-1/8" x 4-5/16" |
| ASD-FMOV-32D50BK | 32 inch | 50W | 120 V | TRIAC | up to 4,195 lm | 5CCT (2,700/3,000/3,500/4,000/5,000 K) | Black | 35-5/16" x 18-1/8" x 4-5/16" |
| LFMOV | | | | | | | | |
| ASD-LFMOV-MV-32D45CC-NK | 32 inch | 45W | 120-277 V | TRIAC | up to 3,750 lm | 3CCT (3,000/4,000/5,000 K) | Nickel | 32-7/16" x 18-1/8" x 4-13/16" |
| ASD-LFMOV-MV-32D45CC-BZ | 32 inch | 45W | 120-277 V | TRIAC | up to 3,750 lm | 3CCT (3,000/4,000/5,000 K) | Oil rubbed bronze | 32-7/16" x 18-1/8" x 4-13/16" |
| ASD-LFMOV-MV-32D45CC-BK | 32 inch | 45W | 120-277 V | TRIAC | up to 3,750 lm | 3CCT (3,000/4,000/5,000 K) | Black | 32-7/16" x 18-1/8" x 4-13/16" |
| LFMDR-MS WITH MOTION SENSOR | | | | | | | | |
| ASD-LFMDR-MV-12N15CC-MS-NK | 12 inch | 15W | 120-277 V | - | up to 1,402 lm | 3CCT (3,000/4,000/5,000 K) | Nickel | 12" x 12" x 3-1/8" |
| ASD-LFMDR-MV-14N21CC-MS-NK | 14 inch | 21W | 120-277 V | - | up to 1,725 lm | 3CCT (3,000/4,000/5,000 K) | Nickel | 14" x 14" x 3-1/2" |
| LFMDR-EM WITH BATTERY BACK-UP | | | | | | | | |
| ASD-LFMDR-MV-12D20CC-EM-NK | 12 inch | 20W | 120-277 V | TRIAC | up to 1,876 lm | 3CCT (3,000/4,000/5,000 K) | Nickel | 11-13/16" x 11-13/16" x 4-5/16" |
| ASD-LFMDR-MV-14D21CC-EM-NK | 14 inch | 21W | 120-277 V | TRIAC | up to 1,854 lm | 3CCT (3,000/4,000/5,000 K) | Nickel | 13-3/4" x 13-3/4" x 4-11/16" |
| ASD-LFMDR-MV-16D24CC-EM-NK | 16 inch | 24W | 120-277 V | TRIAC | up to 2,116 lm | 3CCT (3,000/4,000/5,000 K) | Nickel | 15-3/4" x 15-3/4" x 4-3/4" |

For detailed luminous flux information please refer to Annex, page 7.

For most up-to-date spec sheets please refer to asd-lighting.com

ASD LIGHTING CORP

E-mail: orders@asd-lighting.com | Web site: www.asd-lighting.com





LED DOUBLE RING FLUSHMOUNT

PRODUCT SPECIFICATIONS:

| Construction & Materials | | | | | | | |
|--------------------------|---|---|---|---|--|--|--|
| Housing | Steel | for FMOV models: Metal | | | | | |
| Lens | Acrylic | for FMOV models: PC | | | | | |
| Finish | Nickel, Oil rubbed bronze, Black | | | | | | |
| Weight | ASD-LFMDR-10D16CC-NK ASD-LFMDR-10D16CC-BK | 1.3 lbs (0.6 kg) | ASD-LFMDR-16D24CC-NK ASD-LFMDR-MV-16D24CC-NK | 3 lbs (1.4 kg) | ASD-FMOV-32D50NK ASD-FMOV-32D50BK | 3.1 lbs (1.4 kg) | |
| | ASD-LFMDR-12D15CC-NK ASD-LFMDR-12D20CC-NK | 1.7 lbs (0.8 kg) | ASD-LFMDR-16D24CC-BZ ASD-LFMDR-16D24CC-BK | | ASD-LFMOV-MV-32D45CC-NK ASD-LFMOV-MV-32D45CC-BZ | | 6.9 lbs (3.1 kg) |
| | ASD-LFMDR-MV-12D20CC-NK ASD-LFMDR-12D20CC-BK | 1.6 lbs (0.7 kg) 1.7 lbs (0.8 kg) | ASD-LFMDR-18D28CC-NK ASD-LFMDR-MV-18D28CC-NK | | ASD-LFMOV-MV-32D45CC-BK ASD-LFMDR-MV-12N15CC-MS-NK | | |
| | ASD-LFMDR-14D21CC-NK ASD-LFMDR-MV-14D21CC-NK | 2.5 lbs (1.1 kg) | ASD-LFMDR-18D28CC-BZ ASD-LFMDR-18D28CC-BK | 4.3 lbs (2 kg) | ASD-LFMDR-MV-14N21CC-MS-NK ASD-LFMDR-MV-12D20CC-EM-NK | 2.6 lbs (1.2 kg) 2.4 lbs (1.1 kg) | |
| | ASD-LFMDR-14D21CC-BZ ASD-LFMDR-14D21CC-BK | | 2.5 lbs (1.1 kg) | | ASD-FMOV-24D38NK ASD-FMOV-24D38BK | 1.7 lbs (0.8 kg) | ASD-LFMDR-MV-14D21CC-EM-NK ASD-LFMDR-MV-16D24CC-EM-NK |
| | Environmental system | | | | | | |
| | Work environment | Suitable for Damp Locations | | | | | |
| | Operating temperature | -4°F to 113°F (-20°C to 45°C) | | for FMOV models: -4°F to 104°F (-20°C to 40°C) | | | |
| | L-70 Life | > 50,000 hrs | | | | | |
| | Optical system | | | | | | |
| Color temperature | 3CCT switch (3,000/4,000/5,000 K), 3,000 K by default | | | | | | |
| | 5CCT switch (2,700/3,000/3,500/4,000/5,000 K), 3,000 K by default | | | | | | |
| CRI | > 80 | | | | | | |
| Electrical system | | | | | | | |
| Input voltage | 120 V | | | | | | |
| | for MV models: 120-277 V | | | | | | |
| Max input current | ASD-LFMDR-10D16CC-NK ASD-LFMDR-10D16CC-BK | 0.175 A | ASD-LFMDR-16D24CC-NK ASD-LFMDR-MV-16D24CC-NK | 0.25 A 0.6 A | ASD-FMOV-32D50NK ASD-FMOV-32D50BK | 0.19 A | |
| | ASD-LFMDR-12D15CC-NK ASD-LFMDR-12D20CC-NK | | 0.15 A 0.19 A | ASD-LFMDR-16D24CC-BZ ASD-LFMDR-16D24CC-BK | 0.25 A | | ASD-LFMOV-MV-32D45CC-NK ASD-LFMOV-MV-32D45CC-BZ |
| | ASD-LFMDR-MV-12D20CC-NK ASD-LFMDR-12D20CC-BK | 0.6 A 0.19 A | ASD-LFMDR-18D28CC-NK ASD-LFMDR-MV-18D28CC-NK | 0.5 A | ASD-LFMOV-MV-32D45CC-BK ASD-LFMDR-MV-12N15CC-MS-NK | 0.15 A | |
| | ASD-LFMDR-14D21CC-NK ASD-LFMDR-MV-14D21CC-NK | 0.2 A 0.6 A | ASD-LFMDR-18D28CC-BZ ASD-LFMDR-18D28CC-BK | 0.25 A | ASD-LFMDR-MV-14N21CC-MS-NK ASD-LFMDR-MV-12D20CC-EM-NK | 0.35 A 0.18 A | |
| | ASD-LFMDR-14D21CC-BZ ASD-LFMDR-14D21CC-BK | 0.2 A | ASD-FMOV-24D38NK ASD-FMOV-24D38BK | 0.13 A | ASD-LFMDR-MV-14D21CC-EM-NK ASD-LFMDR-MV-16D24CC-EM-NK | 0.4 A | |
| | ASD-LFMDR-10D16CC-NK ASD-LFMDR-10D16CC-BK | | 0.13 A (0.1 S) | ASD-LFMDR-16D24CC-NK ASD-LFMDR-MV-16D24CC-NK | 0.2 A (0.1 S) 0.3 A (0.1 S) | ASD-FMOV-32D50NK ASD-FMOV-32D50BK | 0.5 A (0.02 S) |
| | Inrush current (Action time) | ASD-LFMDR-12D15CC-NK ASD-LFMDR-12D20CC-NK | 0.125 A (0.1 S) 0.167 A (0.1 S) | ASD-LFMDR-16D24CC-BZ ASD-LFMDR-16D24CC-BK | 0.2 A (0.1 S) 0.2 A (0.1 S) | ASD-LFMOV-MV-32D45CC-NK ASD-LFMOV-MV-32D45CC-BZ | 0.36 A (0.1 S) |
| | | ASD-LFMDR-MV-12D20CC-NK ASD-LFMDR-12D20CC-BK | 0.2 A (0.1 S) 0.167 A (0.1 S) | ASD-LFMDR-18D28CC-NK ASD-LFMDR-MV-18D28CC-NK | 0.23 A (0.1 S) 0.25 A (0.1 S) | ASD-LFMOV-MV-32D45CC-BK ASD-LFMDR-MV-12N15CC-MS-NK | |
| | | ASD-LFMDR-14D21CC-NK ASD-LFMDR-MV-14D21CC-NK | 0.175 A (0.1 S) 0.2 A (0.1 S) | ASD-LFMDR-18D28CC-BZ ASD-LFMDR-18D28CC-BK | 0.23 A (0.1 S) | ASD-LFMDR-MV-14N21CC-MS-NK ASD-LFMDR-MV-12D20CC-EM-NK | 0.17 A (0.1 S) 0.17 A (0.1 S) |
| | | ASD-LFMDR-14D21CC-BZ ASD-LFMDR-14D21CC-BK | 0.175 A (0.1 S) | ASD-FMOV-24D38NK ASD-FMOV-24D38BK | 0.4 A (0.02 S) | ASD-LFMDR-MV-14D21CC-EM-NK ASD-LFMDR-MV-16D24CC-EM-NK | 0.2 A (0.1 S) |
| Off state power | | 0W | | | | | |
| Power consumption | | ASD-LFMDR-10D16CC-NK ASD-LFMDR-10D16CC-BK | 16W | ASD-LFMDR-16D24CC-NK ASD-LFMDR-MV-16D24CC-NK | 24W | ASD-FMOV-32D50NK ASD-FMOV-32D50BK | 50W |
| | | ASD-LFMDR-12D15CC-NK ASD-LFMDR-12D20CC-NK | 15W | ASD-LFMDR-16D24CC-BZ ASD-LFMDR-16D24CC-BK | | ASD-LFMOV-MV-32D45CC-NK ASD-LFMOV-MV-32D45CC-BZ | |
| | | ASD-LFMDR-MV-12D20CC-NK ASD-LFMDR-12D20CC-BK | 20W | ASD-LFMDR-18D28CC-NK ASD-LFMDR-MV-18D28CC-NK | 28W | ASD-LFMOV-MV-32D45CC-BK ASD-LFMDR-MV-12N15CC-MS-NK | 15W |
| | ASD-LFMDR-14D21CC-NK ASD-LFMDR-MV-14D21CC-NK | 21W | ASD-LFMDR-18D28CC-BZ ASD-LFMDR-18D28CC-BK | 38W | | ASD-LFMDR-MV-14N21CC-MS-NK ASD-LFMDR-MV-12D20CC-EM-NK | 21W 20W |
| | ASD-LFMDR-14D21CC-BZ ASD-LFMDR-14D21CC-BK | 21W | ASD-FMOV-24D38NK ASD-FMOV-24D38BK | | ASD-LFMDR-MV-14D21CC-EM-NK ASD-LFMDR-MV-16D24CC-EM-NK | 21W 24W | |
| | Power factor | > 0.9 | | | | | |
| | for ASD-FMOV-24D38NK, ASD-FMOV-24D38BK models: > 0.8 | | | | | | |

For most up-to-date spec sheets please refer to asd-lighting.com

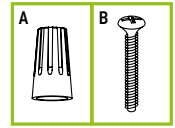


LED DOUBLE RING FLUSHMOUNT

| Electrical system | | | | | | | | | |
|--------------------------------------|-------------------------|--|--------------------------------|--------------------------------------|----------------------------------|------------------|------------|-----------|-------|
| Output voltage | ASD-LFMDR-10D16CC-NK | - | ASD-LFMDR-16D24CC-NK | - | ASD-FMOV-32D50NK | 120 V | | | |
| | ASD-LFMDR-10D16CC-BK | | ASD-LFMDR-MV-16D24CC-NK | 25-40 V | ASD-FMOV-32D50BK | | | | |
| | ASD-LFMDR-12D15CC-NK | | ASD-LFMDR-16D24CC-BZ | - | ASD-LFMOV-MV-32D45CC-NK | 0.36 V | | | |
| | ASD-LFMDR-12D20CC-NK | | ASD-LFMDR-16D24CC-BK | | ASD-LFMOV-MV-32D45CC-BZ | | | | |
| | ASD-LFMDR-MV-12D20CC-NK | 25-40 V | ASD-LFMDR-18D28CC-NK | 25-37 V | ASD-LFMOV-MV-32D45CC-BK | 30-38 V | | | |
| | ASD-LFMDR-12D20CC-BK | - | ASD-LFMDR-MV-18D28CC-NK | | ASD-LFMDR-MV-12N15CC-MS-NK | | | | |
| | ASD-LFMDR-14D21CC-NK | 25-40 V | ASD-LFMDR-18D28CC-BZ | - | ASD-LFMDR-MV-14N21CC-MS-NK | 36 V | | | |
| | ASD-LFMDR-MV-14D21CC-NK | | ASD-LFMDR-18D28CC-BK | 120 V | ASD-LFMDR-MV-12D20CC-EM-NK | | | | |
| ASD-LFMDR-14D21CC-BZ | - | ASD-FMOV-24D38NK | - | | ASD-LFMDR-MV-14D21CC-EM-NK | 25-37 V | | | |
| ASD-LFMDR-14D21CC-BK | ASD-FMOV-24D38BK | ASD-LFMDR-10D16CC-NK | | - | ASD-FMOV-32D50NK | | | | |
| Max output current | ASD-LFMDR-10D16CC-BK | - | ASD-LFMDR-16D24CC-NK | - | ASD-FMOV-32D50BK | 175 A | | | |
| | ASD-LFMDR-12D15CC-NK | | ASD-LFMDR-MV-16D24CC-NK | 0.6 A | ASD-FMOV-32D50BK | | | | |
| | ASD-LFMDR-12D20CC-NK | | ASD-LFMDR-16D24CC-BZ | - | ASD-LFMOV-MV-32D45CC-NK | 1 A | | | |
| | ASD-LFMDR-MV-12D20CC-NK | | ASD-LFMDR-16D24CC-BK | | ASD-LFMOV-MV-32D45CC-BZ | | | | |
| | ASD-LFMDR-12D20CC-BK | 0.6 A | ASD-LFMDR-18D28CC-NK | ASD-LFMOV-MV-32D45CC-BK | 0.35 A | | | | |
| | ASD-LFMDR-12D20CC-NK | - | ASD-LFMDR-MV-18D28CC-NK | ASD-LFMDR-MV-12N15CC-MS-NK | | | | | |
| | ASD-LFMDR-14D21CC-NK | 0.6 A | ASD-LFMDR-18D28CC-BZ | 0.7 A | ASD-LFMDR-MV-14N21CC-MS-NK | 0.58 A | | | |
| | ASD-LFMDR-14D21CC-BZ | | ASD-LFMDR-18D28CC-BK | - | ASD-LFMDR-MV-12D20CC-EM-NK | | | | |
| | ASD-LFMDR-14D21CC-BK | - | ASD-FMOV-24D38NK | 135 A | ASD-LFMDR-MV-14D21CC-EM-NK | 0.6 A | | | |
| | ASD-LFMDR-14D21CC-NK | ASD-FMOV-24D38BK | ASD-LFMDR-MV-16D24CC-EM-NK | | | | | | |
| Surge protection DM/CM | 1.25 kV / 1.25 kV | | for MV models: 1.5 kV / 1.5 kV | | for FMOV models: 0.5 kV / 0.5 kV | | | | |
| Dimming compatible controls | | | | Dimming compatible controls for FMOV | | | | | |
| Brand | Lutron | | Leviton | | Brand | Lutron | Leviton | | |
| Models | MACL-153MLH-WH | DVCL-153PR | R02-DW6HD-2RW | DSL06 | Models | CTCL-153PDH-WH-C | PWCL-153PH | MACL-153M | RDL06 |
| | STCL-153PH-WH | P-PKG1W | R00-RNL06-0TW | | | DVCL-153PR-WH | DVELV-300P | DVRF-6L | |
| | PD-6WCL-WH-R | | R68-06674-POT | | | S-600H-WH-CSA | | | |
| Dimming range | | | | | | | | | |
| 10-100% | | | | | | | | | |
| Regular and voluntary certifications | | | | | | | | | |
| 5-year limited warranty | | | | | | | | | |
| cETLus certified 4001256 | | cETLus certified 5026992 (for FMOV models) | | | | | | | |

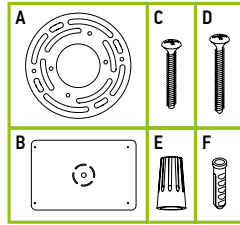
PACKAGE CONTENTS LFMDR:

| Description | Q-ty |
|----------------------------|------|
| LED Double Ring Flushmount | 1 |
| Wire nut (A) | 3 |
| Screw (B) | 2 |
| Box | 1 |



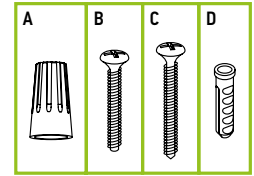
PACKAGE CONTENTS LFMOV:

| Description | Q-ty |
|---------------------------------|------|
| LED Oval Double Ring Flushmount | 1 |
| Mounting plate (A) | 1 |
| Template (B) | 1 |
| Screw (C) | 4 |
| Self-taping screw (D) | 4 |
| Wire nut (E) | 3 |
| Anchor (F) | 4 |
| Box | 1 |



PACKAGE CONTENTS FMOV:

| Description | Q-ty |
|---------------------------------|------|
| LED Oval Double Ring Flushmount | 1 |
| Wire nut (A) | 3 |
| Fixture screw (B) | 2 |
| Self-taping screw (C) | 4 |
| Anchor (D) | 4 |
| Box | 1 |



For most up-to-date spec sheets please refer to asd-lighting.com



LED DOUBLE RING FLUSHMOUNT


BUILT-IN MOTION SENSOR INFORMATION


| Specifications | |
|-----------------------|--|
| Operating voltage | 120-277 V |
| Switching capacity | max 200W (control gear) max 400W (incandescent lamp) |
| Standby power | < 1W |
| Detection area | 10 %/50 %/75 %/100 % |
| Hold-time | 5 s/90 s/5 min/15 min |
| Daylight threshold | 2 lux (0.2 fc)/10 lux (0.9 fc)/50 lux (4.7 fc)/disable |
| Microwave frequency | 5.8 GHz ± 75 MHz |
| Microwave power | < 0.3 mW |
| Interfaces | 4-pole pluggable clamp terminal (L,N,N,L) for 1.5 mm 2 cable |
| Mounting height | max 39.4 ft (11.9 m) |
| Detection range | max 52.5 x 39.4 ft (15.8 x 11.9 m) ceiling mounted |
| Operating temperature | -4 to 158°F (-20 to 70°C) |


 RF interference may affect the operation of this sensor.

DEFAULT SETTING:

| Detection area | Hold time | Daylight sensor | Stand-by period | Stand-by dim level |
|----------------|-----------|-----------------|-----------------|--------------------|
| 100 % | 10 min | Disable | 0 S | 10 % |

| ON ↑  | 1 | | 2 | |
|--|----|----|------|-------|
| | I | ON | ON | 100 % |
| II | - | ON | 75 % | |
| III | ON | - | 50 % | |
| IV | - | - | 10 % | |

| ON ↑  | 3 | | 4 | |
|--|----|----|--------|-----|
| | I | ON | ON | 5 s |
| II | - | ON | 90 s | |
| III | ON | - | 5 min | |
| IV | - | - | 15 min | |

| ON ↑  | 5 | | 6 | |
|--|----|----|-----------------|---------|
| | I | ON | ON | Disable |
| II | - | ON | 50 lux (4.7 fc) | |
| III | ON | - | 10 lux (0.9 fc) | |
| IV | - | - | 2 lux (0.2 fc) | |

Detection area:

Detection area means detection coverage. It can be adjusted by combining DIP switches for specific application.

Hold time:

Hold-time is the time period the light will be ON after the last detection.

Daylight threshold:

Daylight sensor priors to motion sensor. Set threshold for specific needs. If set on 'Disable' only the motion sensor will work.

BUILT-IN BATTERY BACK-UP INFORMATION

| Model | Battery watts | Lumens in emergency mode | Battery capacity | Emergency mode | Charging time |
|----------------------------|---------------|--------------------------|------------------|----------------|---------------|
| ASD-LFMDR-MV-12D20CC-EM-NK | 12W | 1000 lm | 2,200 mAh | > 90 min | 8 hours |
| ASD-LFMDR-MV-14D21CC-EM-NK | 12W | 826 lm | 2,200 mAh | > 90 min | 8 hours |
| ASD-LFMDR-MV-16D24CC-EM-NK | 12W | 826 lm | 2,200 mAh | > 90 min | 8 hours |

| Operating condition | Charging | Emergency mode | Test switch |
|--|--|---|---|
|  ON |  Blinking |  OFF |  |

- Indicator light is ON: Battery back-up fully charged and device is using circuit power.
- Indicator light is Blinking: Battery back-up recharging and device is using circuit power.
- Indicator light is OFF: Device is using battery back-up power.
- In order to test the battery back-up press the test switch one time. To turn off the emergency power state press test switch one more time.

| Specifications | |
|------------------------------|---------------------------------------|
| Input voltage | 100-277 V 50/60 Hz |
| AC Input current | max 110 mA |
| AC Input power rating | max 5.0W |
| Output current (voltage) | 200 mA (20-36 Vdc) 360 mA (20-36 Vdc) |
| Output power | 6W 12W |
| Lumens | 400 lm 800 lm |
| Emergency time | min 90 minutes |
| Indicator light | Illuminated test switch |
| Battery | Li-ion battery - 11.1 V/2200 mAh |
| Battery charging current | 440 mA |
| Charging time | 8 hours |
| Temperature rating (Ambient) | 32°F to 113°F (0°C to 45°C) |
| Warranty | 5 years |

INSTALLATION GUIDE

IMPORTANT SAFETY INFORMATION:

Please read all the instructions below before installation.

- Make sure that the supply voltage corresponds to the rated product voltage.
- The product must be installed by a qualified electrician in accordance with the National Electrical Code and corresponding local codes.
- If the product is damaged, do not use it.

WARNING

RISK OF PERSONAL INJURY – READ and follow all WARNINGS and installation instructions. Keep or give to the owner for future reference.

Risk of cuts: Wear gloves to prevent cuts or abrasions when removing from carton, handling, installing, and maintaining this product.

Risk of electric shock: This product must be installed in accordance with the applicable installation code by a person familiar with the construction and operation of the product and the hazards involved.

Risk of Fire: Minimum 194°F supply conductors. Consult a qualified electrician to ensure correct branch circuit conductor.

ASD® assumes no responsibility for claims arising out of improper or careless installation or handling of this product.

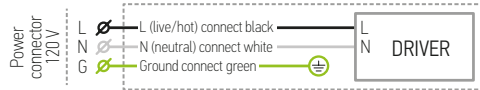
For most up-to-date spec sheets please refer to asd-lighting.com



LED DOUBLE RING FLUSHMOUNT

ELECTRICAL SCHEMATIC DIAGRAM:

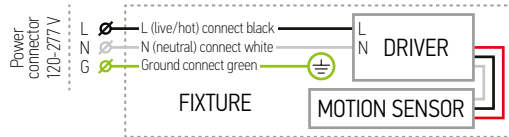
LFMDR, FMOV



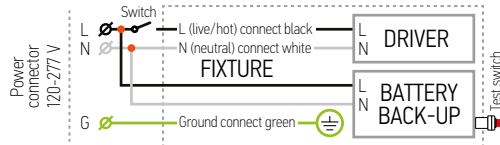
LFMDR-MV, LFMV



LFMDR-MS with motion sensor

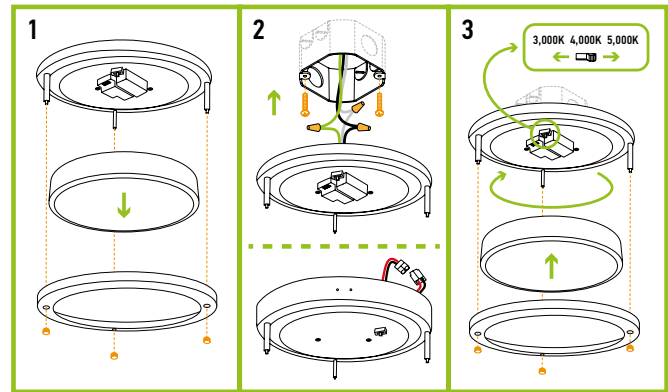


LFMDR-EM with battery back-up



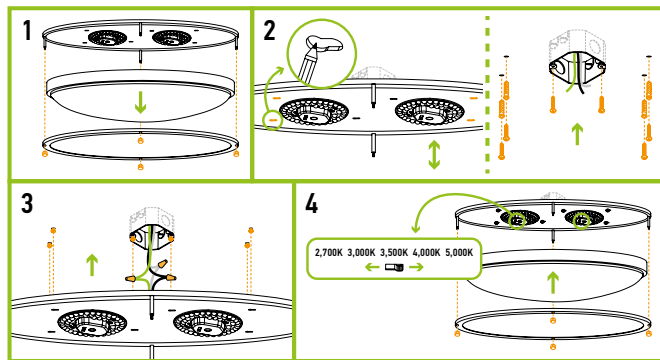
INSTALLATION STEPS LFMRD:

1. Unscrew three cap nuts counter-clockwise, remove the metal ring and the lens.
2. Attach two screws to the outlet box. Connect the wires: Black to Black, White to White, Ground to Ground. Carefully tuck all the wires back into the outlet box. In fixtures with Emergency battery connect the LED Emergency controller to the battery back-up.
3. Place the fixture pan over the outlet box and feed fixture screws through keyhole slots. Rotate the fixture pan clockwise until screws lock into the narrow end of the keyhole slots and tighten screws firmly. Choose either 3,000K, 4,000K or 5,000K with a simple switch.



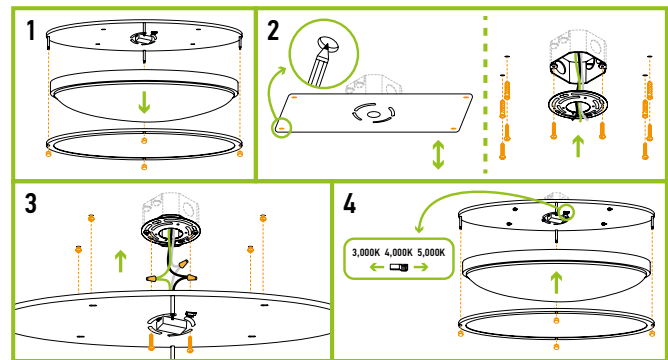
INSTALLATION STEPS FMOV:

1. Unscrew cap nuts counter-clockwise and remove the metal ring and the lens.
2. Attach the back plate to the outlet box and mark the location of the holes for the anchors. Remove the back plate and drill four appropriate sized holes for anchors, insert anchors into the holes, twist the four self-tapping screws into the anchors and two fixture screws into the outlet box.
3. Connect the wires: Black to Black, White to White, Ground to Ground. Attach the back plate to the ceiling by feeding self-tapping screws and fixture screws through the keyhole slots and then tighten them in the narrow end of the keyhole slots.
4. Choose either 2,700K, 3,000K, 3,500K, 4,000K or 5,000K with simple switches on both LED drivers. The fixture is set to 3000K by default. Secure the lens and metal ring to the fixture pan using cap nuts.



INSTALLATION STEPS LFMOV:

1. Unscrew cap nuts counter-clockwise and remove the metal ring and the lens.
2. Attach the mounting plate to the outlet box using two screws. Attach the template to the mounting plate and mark the location of the holes for the wall anchors. Remove the template and drill four appropriate sized holes for anchors, insert anchors into the holes, twist the four self-tapping screws into the anchors.
3. Connect the wires: Black to Black, White to White, Ground to Ground. Attach the back plate to the ceiling by feeding self-tapping screws through the keyhole slots and then tightening the self-tapping screws in the narrow end of the keyhole slots. Secure the fixture to the mounting plate using two screws.
4. Choose either 3,000K, 4,000K or 5,000K with a simple switch. Secure the lens and metal ring to the fixture pan using cap nuts.



For most up-to-date spec sheets please refer to asd-lighting.com



LED DOUBLE RING FLUSHMOUNT

ORDERING INFORMATION

| Model | UPC | Pcs. per carton | Carton size | Carton weight | GTIN 14 |
|--------------------------------------|--------------|-----------------|-----------------------|---------------|----------------|
| LFMDR | | | | | |
| ASD-LFMDR-10D16CC-NK | 810050731706 | 4 | 16.3" x 12" x 12.2" | 9.9 lbs | 10810050731703 |
| ASD-LFMDR-10D16CC-BK | 810128117708 | 4 | 16.3" x 12" x 12.2" | 9.9 lbs | 10810128117705 |
| ASD-LFMDR-12D15CC-NK | 810050735728 | 4 | 15.6" x 13.2" x 13.4" | 11.7 lbs | 10810050735725 |
| ASD-LFMDR-12D20CC-NK | 810050735735 | 4 | 15.6" x 13.2" x 13.4" | 11.7 lbs | 10810050735732 |
| ASD-LFMDR-MV-12D20CC-NK | 810050732826 | 4 | 15.6" x 13.2" x 13.4" | 11.6 lbs | 10810050732823 |
| ASD-LFMDR-12D20CC-BK | 810128111669 | 4 | 15.6" x 13.2" x 13.4" | 11.7 lbs | 10810128111666 |
| ASD-LFMDR-14D21CC-NK | 810050736084 | 4 | 15.9" x 15.9" x 15.7" | 16.4 lbs | 10810050736081 |
| ASD-LFMDR-MV-14D21CC-NK | 819201027927 | 4 | 15.9" x 15.9" x 15.7" | 16.4 lbs | 10819201027924 |
| ASD-LFMDR-14D21CC-BZ | 810050736091 | 4 | 15.9" x 15.9" x 15.7" | 16.4 lbs | 10810050736098 |
| ASD-LFMDR-14D21CC-BK | 810128111676 | 4 | 15.9" x 15.9" x 15.7" | 16.4 lbs | 10810128111673 |
| ASD-LFMDR-16D24CC-NK | 810050736107 | 2 | 17.7" x 8.7" x 17.7" | 10.3 lbs | 20810050736101 |
| ASD-LFMDR-MV-16D24CC-NK | 810050730587 | 2 | 17.7" x 8.7" x 17.7" | 10.3 lbs | 20810050730581 |
| ASD-LFMDR-16D24CC-BZ | 810050736114 | 2 | 17.7" x 8.7" x 17.7" | 10.3 lbs | 20810050736118 |
| ASD-LFMDR-16D24CC-BK | 810128111683 | 2 | 17.7" x 8.7" x 17.7" | 10.3 lbs | 20810128111687 |
| ASD-LFMDR-18D28CC-NK | 810050735551 | 2 | 20.1" x 9.5" x 20.1" | 13.9 lbs | 20810050735555 |
| ASD-LFMDR-MV-18D28CC-NK | 810050730402 | 2 | 20.1" x 9.5" x 20.1" | 14 lbs | 20810050730406 |
| ASD-LFMDR-18D28CC-BZ | 810050735940 | 2 | 20.1" x 9.5" x 20.1" | 13.9 lbs | 20810050735944 |
| ASD-LFMDR-18D28CC-BK | 810128111690 | 2 | 20.1" x 9.5" x 20.1" | 13.9 lbs | 20810128111694 |
| FMOV | | | | | |
| ASD-FMOV-24D38NK | 810128113793 | 2 | 26.4" x 15.4" x 12.2" | 6.3 lbs | 10810128113790 |
| ASD-FMOV-24D38BK | 810128113809 | 2 | 26.4" x 15.4" x 12.2" | 6.3 lbs | 10810128113806 |
| ASD-FMOV-32D50NK | 810128113816 | 2 | 34.7" x 19.9" x 12.2" | 9.7 lbs | 10810128113813 |
| ASD-FMOV-32D50BK | 810128113823 | 2 | 34.7" x 19.9" x 12.2" | 9.7 lbs | 10810128113820 |
| LFMOV | | | | | |
| ASD-LFMOV-MV-32D45CC-NK | 810050732055 | 2 | 35.2" x 11.8" x 21.5" | 21.3 lbs | 20810050732059 |
| ASD-LFMOV-MV-32D45CC-BZ | 810050732567 | 2 | 35.2" x 11.8" x 21.5" | 21.3 lbs | 10810050732564 |
| ASD-LFMOV-MV-32D45CC-BK | 810128111706 | 2 | 35.2" x 11.8" x 21.5" | 21.3 lbs | 10810128111703 |
| LFMDR-MS WITH MOTION SENSOR | | | | | |
| ASD-LFMDR-MV-12N15CC-MS-NK | 810050733519 | 4 | 15.4" x 13.4" x 13.4" | 12.1 lbs | 10810050733516 |
| ASD-LFMDR-MV-14N21CC-MS-NK | 810050733526 | 4 | 15.9" x 15.9" x 15.9" | 16.9 lbs | 10810050733523 |
| LFMDR-EM WITH BATTERY BACK-UP | | | | | |
| ASD-LFMDR-MV-12D20CC-EM-NK | 810128112536 | 4 | 22.1" x 13.6" x 13.6" | 15 lbs | 10810128112533 |
| ASD-LFMDR-MV-14D21CC-EM-NK | 819201027996 | 4 | 15.9" x 15.9" x 22" | 24.2 lbs | 10819201027993 |
| ASD-LFMDR-MV-16D24CC-EM-NK | 819201028009 | 4 | 23.4" x 17.9" x 17.9" | 31.3 lbs | 10819201028006 |

For most up-to-date spec sheets please refer to asd-lighting.com



LED DOUBLE RING FLUSHMOUNT

ANNEX 1

| Model | Watts | 2,700 K | 3,000 K | 3,500 K | 4,000 K | 5,000 K |
|---|-------|----------|----------|----------|----------|----------|
| ASD-LFMDR-10D16CC-NK ASD-LFMDR-10D16CC-BK | 16W | - | 965 lm | - | 1,041 lm | 1,016 lm |
| ASD-LFMDR-12D15CC-NK | 15W | - | 1,050 lm | - | 1,094 lm | 1,045 lm |
| ASD-LFMDR-12D20CC-NK ASD-LFMDR-12D20CC-BK | 20W | - | 1,400 lm | - | 1,532 lm | 1,474 lm |
| ASD-LFMDR-MV-12D20CC-NK | 20W | - | 1,400 lm | - | 1,580 lm | 1,450 lm |
| ASD-LFMDR-14D21CC-NK ASD-LFMDR-14D21CC-BZ ASD-LFMDR-14D21CC-BK | 21W | - | 1,470 lm | - | 1,675 lm | 1,654 lm |
| ASD-LFMDR-MV-14D21CC-NK ASD-LFMDR-MV-14N21CC-MS-NK | 21W | - | 1,500 lm | - | 1,725 lm | 1,621 lm |
| ASD-LFMDR-16D24CC-NK ASD-LFMDR-16D24CC-BZ ASD-LFMDR-16D24CC-BK | 24W | - | 1,680 lm | - | 1,843 lm | 1,854 lm |
| ASD-LFMDR-MV-16D24CC-NK | 24W | - | 1,895 lm | - | 2,118 lm | 1,968 lm |
| ASD-LFMDR-18D28CC-NK ASD-LFMDR-18D28CC-BZ ASD-LFMDR-18D28CC-BK | 28W | - | 1,960 lm | - | 2,230 lm | 2,190 lm |
| ASD-LFMDR-MV-18D28CC-NK | 28W | - | 2,458 lm | - | 2,744 lm | 2,563 lm |
| ASD-FMOV-24D38NK ASD-FMOV-24D38BK | 38W | 2,990 lm | 2,993 lm | 3,289 lm | 3,160lm | 2,927 lm |
| ASD-FMOV-32D50NK ASD-FMOV-32D50BK | 50W | 3,776 lm | 3,966 lm | 3,936 lm | 4,195 lm | 3,614 lm |
| ASD-LFMOV-MV-32D45CC-NK ASD-LFMOV-MV-32D45CC-BZ ASD-LFMOV-MV-32D45CC-BK | 45W | - | 3,360 lm | - | 3,750 lm | 3,540 lm |
| ASD-LFMDR-MV-12N15CC-MS-NK | 15W | - | 1,300 lm | - | 1,402 lm | 1,346 lm |
| ASD-LFMDR-MV-12D20CC-EM-NK | 20W | - | 1,618 lm | - | 1,876 lm | 1,760 lm |
| ASD-LFMDR-MV-14D21CC-EM-NK | 21W | - | 1,656 lm | - | 1,854 lm | 1,789 lm |
| ASD-LFMDR-MV-16D24CC-EM-NK | 24W | - | 1,889 lm | - | 2,116 lm | 1,964 lm |

For most up-to-date spec sheets please refer to asd-lighting.com