



LED VANITY LINEAR

Color Adjustable

► **DESIGN & OPTIONS** - LED VANITY LINEAR LIGHT has a sleek, modern design that allows you to have a stylish look with efficient lighting. The modern LED dimmers provide smooth dimming capabilities ranging from 100% to 10%. This fixture includes a color adjustable option, letting you set it to 3,000K, 4,000K or 5,000K with a simple switch. The 120° beam angle grants you smooth and even lighting. It comes in four sizes: 18", 24", 36" and 48" with two finish options: BRUSHED NICKEL and BRONZE.

► **INSTALLATION** - Installation is quick and easy: just attach the back plate to the outlet box with screws, connect the wires, and secure the fixture to the back plate. Screws, wire nuts, decorative caps and all necessary installation accessories are provided. Can be installed both vertically and horizontally. Refer to install instructions for detailed steps.

► **APPLICATION** - This LED VANITY LINEAR LIGHT creates a bright light that is perfect for bathroom spaces. This fixture is Damp location rated. It can also be used as an additional light to an existing ceiling light.

► **ENERGY SAVINGS & EFFICIENCY** - Replacing an incandescent fixture with LED VANITY LINEAR LIGHT can save you 8 times as much on your current energy costs. With a lifespan of 50,000 hours, these fixtures are made to last decades with normal operation! This fixture will save you a significant amount of money in its lifetime.

► **CERTIFICATION & WARRANTY** - Buy with confidence: ASD provides a 5-year warranty along with ETL and ENERGY STAR certifications to guarantee top quality products and safety!

Top US certifications allow participation in rebates; please check the rebate programs available in your state.

Catalog number	
Notes	
Type	



Finish: Nickel Bronze

PRODUCT LEGEND:

Family	Modification	Size	Dimmable	Watts	CCT	Finish
ASD-LVF	21	XX	X	XX	XX	XX
LED Vanity linear		18 = 18 inch	D = Dimmable	20 = 20 W	CC = 3,000/4,000/5,000 K	NK = Brushed Nickel
		24 = 24 inch		25 = 25 W		BZ = Oil Rubbed Bronze
		36 = 36 inch		30 = 30 W		
		48 = 48 inch		35 = 35 W		

LED VANITY LINEAR:

Model	Size	Watts	Voltage	Dimmable	Lumens	CCT	Dimensions (LxWxH)	Finish	UPC
ASD-LVF21-18D20CC-NK	18 inch	20 W	120 V	TRIAC	1,500 lm	3,000/4,000/5,000 K	19 1/8" x 5 7/8" x 4"	Brushed Nickel	819201028214
ASD-LVF21-18D20CC-BZ	18 inch	20 W	120 V	TRIAC	1,500 lm	3,000/4,000/5,000 K	19 1/8" x 5 7/8" x 4"	Oil Rubbed Bronze	819201028221
ASD-LVF21-24D25CC-NK	24 inch	25 W	120 V	TRIAC	1,750 lm	3,000/4,000/5,000 K	25 5/8" x 5 7/8" x 4"	Brushed Nickel	819201028238
ASD-LVF21-24D25CC-BZ	24 inch	25 W	120 V	TRIAC	1,750 lm	3,000/4,000/5,000 K	25 5/8" x 5 7/8" x 4"	Oil Rubbed Bronze	819201028252
ASD-LVF21-36D30CC-NK	36 inch	30 W	120 V	TRIAC	2,100 lm	3,000/4,000/5,000 K	37 1/8" x 5 7/8" x 4"	Brushed Nickel	810050731898
ASD-LVF21-36D30CC-BZ	36 inch	30 W	120 V	TRIAC	2,100 lm	3,000/4,000/5,000 K	37 1/8" x 5 7/8" x 4"	Oil Rubbed Bronze	810050731904
ASD-LVF21-48D35CC-NK	48 inch	35 W	120 V	TRIAC	2,450 lm	3,000/4,000/5,000 K	48 1/16" x 5 7/8" x 4"	Brushed Nickel	810050732833

ORDERING INFORMATION:

Model	Pcs in middle box	Middle box Size	Middle box Weight	GTIN 14 for Middle box	Pcs per Carton	Carton Size	Carton Weight	GTIN 14 for Carton
ASD-LVF21-18D20CC-NK	-	-	-	-	4	20.5" x 16.3" x 12.6"	23 lb	30819201028215
ASD-LVF21-18D20CC-BZ	2	20.3" x 8.2" x 12.4"	11.6 lb	10819201028228	4	20.9" x 16.9" x 13"	25.1 lb	20819201028225
ASD-LVF21-24D25CC-NK	-	-	-	-	4	27.2" x 16.3" x 12.6"	24.2 lb	30819201028239
ASD-LVF21-24D25CC-BZ	2	27" x 8.2" x 12.4"	12.3 lb	10819201028259	4	27.6" x 16.9" x 13"	27.1 lb	20819201028256
ASD-LVF21-36D30CC-NK	-	-	-	-	4	38.8" x 16.3" x 12.6"	32.2 lb	50810050731893
ASD-LVF21-36D30CC-BZ	2	38.6" x 8.2" x 12.4"	16.4 lb	30810050731905	4	39.2" x 16.9" x 13"	35.5 lb	40810050731902
ASD-LVF21-48D35CC-NK	-	-	-	-	4	50.6" x 16.3" x 12.6"	40.5 lb	30810050732834

For most up-to-date spec sheets please refer to asd-lighting.com

ASD LIGHTING CORP

E-mail: orders@asd-lighting.com | Web site: www.asd-lighting.com







LED VANITY LINEAR

Color Adjustable

PRODUCT SPECIFICATIONS:

Construction & Materials						
Housing	Steel					
Lens	Acrylic					
Finish Color	Brushed Nickel, Oil Rubbed Bronze					
Weight	ASD-LVF21-18D20CC-NK	4 lb (1.8 kg)	ASD-LVF21-24D25CC-NK	4.6 lb (2.1 kg)	ASD-LVF21-36D30CC-NK	6.3 lb (2.9 kg)
	ASD-LVF21-18D20CC-BZ		ASD-LVF21-24D25CC-BZ		ASD-LVF21-36D30CC-BZ	
Environmental System						
Work Environment	Suitable for Damp Locations					
Operating Temperature	-4°F to 122°F (-20°C to 50°C)					
L-70 Life	> 50,000 hrs					
Optical System						
Luminous Flux	ASD-LVF21-18D20CC-NK	1,500 lm	ASD-LVF21-24D25CC-NK	1,750 lm	ASD-LVF21-36D30CC-NK	2,100 lm
	ASD-LVF21-18D20CC-BZ		ASD-LVF21-24D25CC-BZ		ASD-LVF21-36D30CC-BZ	
Color Temperature	3,000/4,000/5,000 K					
CRI	> 80					
Electrical System						
Input Voltage	120 V					
Max input current	ASD-LVF21-18D20CC-NK	0.19 A	ASD-LVF21-24D25CC-NK	0.28 A	ASD-LVF21-36D30CC-NK	0.27 A
	ASD-LVF21-18D20CC-BZ		ASD-LVF21-24D25CC-BZ		ASD-LVF21-36D30CC-BZ	
Inrush current (Action time)	ASD-LVF21-18D20CC-NK	0.165 A (0.1 S)	ASD-LVF21-24D25CC-NK	0.208 A (0.1 S)	ASD-LVF21-36D30CC-NK	0.25 A (0.1 S)
	ASD-LVF21-18D20CC-BZ		ASD-LVF21-24D25CC-BZ		ASD-LVF21-36D30CC-BZ	
AC input range	min 108 V max 132 V					
Off State Power	0 W					
Power Consumption	ASD-LVF21-18D20CC-NK	20 W	ASD-LVF21-24D25CC-NK	25 W	ASD-LVF21-36D30CC-NK	30 W
	ASD-LVF21-18D20CC-BZ		ASD-LVF21-24D25CC-BZ		ASD-LVF21-36D30CC-BZ	
Power Factor	> 0.9					
LED Driver Class	DOB					
Dimming Range	10-100%					
Dimming compatible controls						
Brand	Lutron		Leviton			
Models	SCL-153P	GTJ-150 M6/MC Y12	MACL-153M-WH	TRIMATRON 6683		
	STCL-153P	GTJ-150 M6/MC Z16	TGCL-153PH-WH	SURESLIDE 6674		
	MACL-153M	GT-150-WH T6/MC Z29	STCL-153P	6672		
	TG-600P	DVCL-153P-WH	DV-600P			
Regular and Voluntary Certifications						
5-year limited warranty	cETLus certified 4001256		Energy Star listed			

PACKAGE CONTENTS:

Description	Q-ty	A		B	
LED Vanity linear	1				
Wire nuts (A)	3				
Anchors (B)	2				
13/16" Screws (C)	2				
13/18" Screws (D)	2				
Box	1				
Cut sheet	2				

INSTALLATION GUIDE

IMPORTANT SAFETY INFORMATION:

Please read all the instructions below before installation.

- ▶ Make sure that the supply voltage corresponds to the rated product voltage.
- ▶ The product must be installed by a qualified electrician in accordance with the National Electrical Code and corresponding local codes.
- ▶ If the product is damaged, do not use it.

⚠ WARNING

RISK OF PERSONAL INJURY – READ and follow all WARNINGS and installation instructions.

Keep or give to the owner for future reference.

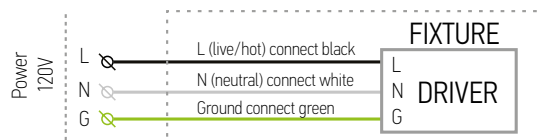
Risk of cuts: Wear gloves to prevent cuts or abrasions when removing from carton, handling, installing, and maintaining this product.

Risk of electric shock: This product must be installed in accordance with the applicable installation code by a person familiar with the construction and operation of the product and the hazards involved.

Risk of Fire: Minimum 194°F supply conductors. Consult a qualified electrician to ensure correct branch circuit conductor.

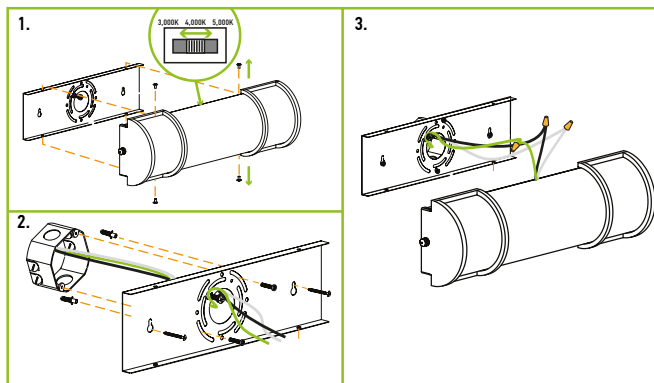
ASD® assumes no responsibility for claims arising out of improper or careless installation or handling of this product.

ELECTRICAL SCHEMATIC DIAGRAM:



INSTALLATION STEPS:

1. Detach the fixture body from the back plate. Choose needed color temperature by adjusting the switch position on the back of the fixture.
2. Place the back plate against the wall covering the outlet box, mark placement of the mounting keyhole slots and drill appropriate sized holes for wall anchors. Attach the back plate to the wall with two outlet box screws and two anchor screws.
3. Connect the wires: Black to Black, White to White, Green to Green. Secure the connection with wire nuts. Attach the fixture body to the back plate using four small screws.



For most up-to-date spec sheets please refer to asd-lighting.com

ASD LIGHTING CORP

E-mail: orders@asd-lighting.com | Web site: www.asd-lighting.com

