



# LED AREA LIGHT WITH Q-BASE

► **DESIGN** - LED AREA LIGHT WITH Q-BASE AND PHOTOCELL is extremely efficient with a 170lm/W output. With 10kV surge protection, it is designed to operate on 120-277V or 277-480V circuits with a 0-10V dimmable driver. The built-in motion sensor base allows you to install the microwave or Infrared motion sensor. Integrated photocell switches the fixture on at night time. It can be easily deactivated by putting the cap on.

► **COLOR AND POWER SELECTABLE** - You can choose either a 3,000K warm white, 4,000K cool white or 5,000K daylight color temperature, and change the power with a simple switch.

► 3G vibration rated, withstands conditions with repeated vibration, making it conform to standards for roadway.

► **INSTALLATION** - This fixture is Wet Locations rated and can be pole, post, or wall mounted using the slip fitter bracket, arm bracket, floodlight bracket, or full trunnion bracket. It comes with a 3.9ft cord. Perfect commercial or industrial solution for roadway lighting, highway lighting, sport lighting, parks, parking lots, backyards, and many other applications.

► **ADVANTAGES** - With calculated lifespan up to 163,000 hours, these fixtures are made to last decades under normal operation! ASD provides a 5-year limited warranty along with UL and DLC Premium certifications to guarantee top quality products and safety!

Catalog number	
Notes	
Type	



Finish:	White	Bronze
	Silver	Black

Model	Watts	Sensor base	Voltage	Dimmable	Lumens	CCT	Finish	Dimensions (LxWxH)	Cord	Option	
<b>LSB5A-PRO</b>											
ASD-LSB5A-PRO-150WH	100/120/150W	3-pin	120-277 V	0-10 V	24,391/25,823/24,914 lm	3CCT (3,000/4,000/5,000 K)	White	14-5/16" x 11" x 2-13/16"	3.9 ft	Photocell	
ASD-LSB5A-PRO-150SL	100/120/150W	3-pin	120-277 V	0-10 V	24,391/25,823/24,914 lm	3CCT (3,000/4,000/5,000 K)	Silver	14-5/16" x 11" x 2-13/16"	3.9 ft	Photocell	
ASD-LSB5A-PRO-150BR	100/120/150W	3-pin	120-277 V	0-10 V	24,391/25,823/24,914 lm	3CCT (3,000/4,000/5,000 K)	Bronze	14-5/16" x 11" x 2-13/16"	3.9 ft	Photocell	
ASD-LSB5A-PRO-150BK	100/120/150W	3-pin	120-277 V	0-10 V	24,391/25,823/24,914 lm	3CCT (3,000/4,000/5,000 K)	Black	14-5/16" x 11" x 2-13/16"	3.9 ft	Photocell	
ASD-LSB5A-PRO-200WH	100/150/200W	3-pin	120-277 V	0-10 V	32,065/33,511/33,400 lm	3CCT (3,000/4,000/5,000 K)	White	14-5/16" x 11" x 2-13/16"	3.9 ft	Photocell	
ASD-LSB5A-PRO-200SL	100/150/200W	3-pin	120-277 V	0-10 V	32,065/33,511/33,400 lm	3CCT (3,000/4,000/5,000 K)	Silver	14-5/16" x 11" x 2-13/16"	3.9 ft	Photocell	
ASD-LSB5A-PRO-200BR	100/150/200W	3-pin	120-277 V	0-10 V	32,065/33,511/33,400 lm	3CCT (3,000/4,000/5,000 K)	Bronze	14-5/16" x 11" x 2-13/16"	3.9 ft	Photocell	
ASD-LSB5A-PRO-200BK	100/150/200W	3-pin	120-277 V	0-10 V	32,065/33,511/33,400 lm	3CCT (3,000/4,000/5,000 K)	Black	14-5/16" x 11" x 2-13/16"	3.9 ft	Photocell	
ASD-LSB5A-PRO-240WH	150/200/240W	3-pin	120-277 V	0-10 V	38,259/40,372/39,470 lm	3CCT (3,000/4,000/5,000 K)	White	18-1/2" x 12-9/16" x 2-13/16"	3.9 ft	Photocell	
ASD-LSB5A-PRO-240SL	150/200/240W	3-pin	120-277 V	0-10 V	38,259/40,372/39,470 lm	3CCT (3,000/4,000/5,000 K)	Silver	18-1/2" x 12-9/16" x 2-13/16"	3.9 ft	Photocell	
ASD-LSB5A-PRO-240BR	150/200/240W	3-pin	120-277 V	0-10 V	38,259/40,372/39,470 lm	3CCT (3,000/4,000/5,000 K)	Bronze	18-1/2" x 12-9/16" x 2-13/16"	3.9 ft	Photocell	
ASD-LSB5A-PRO-240BK	150/200/240W	3-pin	120-277 V	0-10 V	38,259/40,372/39,470 lm	3CCT (3,000/4,000/5,000 K)	Black	18-1/2" x 12-9/16" x 2-13/16"	3.9 ft	Photocell	
ASD-LSB5A-PRO-300WH	200/240/300W	3-pin	120-277 V	0-10 V	48,920/52,440/51,504 lm	3CCT (3,000/4,000/5,000 K)	White	18-1/2" x 12-9/16" x 2-13/16"	3.9 ft	Photocell	
ASD-LSB5A-PRO-300SL	200/240/300W	3-pin	120-277 V	0-10 V	48,920/52,440/51,504 lm	3CCT (3,000/4,000/5,000 K)	Silver	18-1/2" x 12-9/16" x 2-13/16"	3.9 ft	Photocell	
ASD-LSB5A-PRO-300BR	200/240/300W	3-pin	120-277 V	0-10 V	48,920/52,440/51,504 lm	3CCT (3,000/4,000/5,000 K)	Bronze	18-1/2" x 12-9/16" x 2-13/16"	3.9 ft	Photocell	
ASD-LSB5A-PRO-300BK	200/240/300W	3-pin	120-277 V	0-10 V	48,920/52,440/51,504 lm	3CCT (3,000/4,000/5,000 K)	Black	18-1/2" x 12-9/16" x 2-13/16"	3.9 ft	Photocell	
ASD-LSB5A-PRO-500WH	300/400/500W	3-pin	120-277 V	0-10 V	79,941/84,732/83,958 lm	3CCT (3,000/4,000/5,000 K)	White	27-1/8" x 14-1/8" x 2-13/16"	3.9 ft	Photocell	
ASD-LSB5A-PRO-500SL	300/400/500W	3-pin	120-277 V	0-10 V	79,941/84,732/83,958 lm	3CCT (3,000/4,000/5,000 K)	Silver	27-1/8" x 14-1/8" x 2-13/16"	3.9 ft	Photocell	
ASD-LSB5A-PRO-500BR	300/400/500W	3-pin	120-277 V	0-10 V	79,941/84,732/83,958 lm	3CCT (3,000/4,000/5,000 K)	Bronze	27-1/8" x 14-1/8" x 2-13/16"	3.9 ft	Photocell	
ASD-LSB5A-PRO-500BK	300/400/500W	3-pin	120-277 V	0-10 V	79,941/84,732/83,958 lm	3CCT (3,000/4,000/5,000 K)	Black	27-1/8" x 14-1/8" x 2-13/16"	3.9 ft	Photocell	
<b>LSB5A-HV-PRO</b>											
ASD-LSB5A-HV-PRO-150BR	100/120/150W	3-pin	277-480 V	0-10 V	23,815/25,191/24,433 lm	3CCT (3,000/4,000/5,000 K)	Bronze	14-5/16" x 11" x 2-13/16"	3.9 ft	Photocell	
ASD-LSB5A-HV-PRO-200BR	100/150/200W	3-pin	277-480 V	0-10 V	32,569/35,039/34,227 lm	3CCT (3,000/4,000/5,000 K)	Bronze	14-5/16" x 11" x 2-13/16"	3.9 ft	Photocell	
ASD-LSB5A-HV-PRO-240BR	150/200/240W	3-pin	277-480 V	0-10 V	39,137/41,388/40,311 lm	3CCT (3,000/4,000/5,000 K)	Bronze	18-1/2" x 12-9/16" x 2-13/16"	3.9 ft	Photocell	
ASD-LSB5A-HV-PRO-300BR	200/240/300W	3-pin	277-480 V	0-10 V	48,734/52,361/51,346 lm	3CCT (3,000/4,000/5,000 K)	Bronze	18-1/2" x 12-9/16" x 2-13/16"	3.9 ft	Photocell	
ASD-LSB5A-HV-PRO-500BR	300/400/500W	3-pin	277-480 V	0-10 V	81,400/86,582/84,226 lm	3CCT (3,000/4,000/5,000 K)	Bronze	27-1/8" x 14-1/8" x 2-13/16"	3.9 ft	Photocell	
<b>SENSORS AND REMOTE</b>											
ASD-09MW-WH	Microwave motion sensor 3pin								2-1/8" x 2-1/8" x 1-11/16"		-
ASD-09IR-WH	Infrared motion sensor 3pin								2-1/8" x 2-1/8" x 1-5/16"		-
HD05R	Remote control for motion sensor								5-1/2" x 2-5/16" x 7/8"		-

For most up-to-date spec sheets please refer to [asd-lighting.com](http://asd-lighting.com)



# LED AREA LIGHT WITH Q-BASE

## PRODUCT SPECIFICATIONS:







Construction & Materials						
Housing	Aluminum					
Lens	PC					
Finish	White, Silver, Bronze, Black					
Weight	ASD-LSB5A-PRO-150WH	7.2 lbs (3.3 kg)	ASD-LSB5A-PRO-240WH	9.5 lbs (4.3 kg)	ASD-LSB5A-PRO-500WH	17.4 lbs (7.9 kg)
	ASD-LSB5A-PRO-150SL		ASD-LSB5A-PRO-240SL		ASD-LSB5A-PRO-500SL	
	ASD-LSB5A-PRO-150BR		ASD-LSB5A-PRO-240BR		ASD-LSB5A-PRO-500BR	
	ASD-LSB5A-PRO-150BK		ASD-LSB5A-PRO-240BK		ASD-LSB5A-PRO-500BK	
	ASD-LSB5A-PRO-200WH	7.3 lbs (3.3 kg)	ASD-LSB5A-PRO-300WH	9.7 lbs (4.4 kg)	ASD-LSB5A-HV-PRO-150BR	7.3 lbs (3.3 kg)
	ASD-LSB5A-PRO-200SL		ASD-LSB5A-PRO-300SL		ASD-LSB5A-HV-PRO-200BR	7.5 lbs (3.4 kg)
	ASD-LSB5A-PRO-200BR		ASD-LSB5A-PRO-300BR		ASD-LSB5A-HV-PRO-240BR	9.5 lbs (4.3 kg)
	ASD-LSB5A-PRO-200BK		ASD-LSB5A-PRO-300BK		ASD-LSB5A-HV-PRO-300BR	9.7 lbs (4.4 kg)
				ASD-LSB5A-HV-PRO-500BR	17.4 lbs (7.9 kg)	
Environmental system						
Work environment	Suitable for Wet Locations, IP66					
Operating temperature	-4°F to 122°F (-20°C to 50°C)					
L-70 Life	R > 54,000 hrs; C > 163,000 hrs					
Optical system						
Luminous flux	ASD-LSB5A-PRO-150WH	24,391/25,823/24,914 lm	ASD-LSB5A-PRO-240WH	38,259/40,372/39,470 lm	ASD-LSB5A-PRO-500WH	79,941/84,732/83,958 lm
	ASD-LSB5A-PRO-150SL		ASD-LSB5A-PRO-240SL		ASD-LSB5A-PRO-500SL	
	ASD-LSB5A-PRO-150BR		ASD-LSB5A-PRO-240BR		ASD-LSB5A-PRO-500BR	
	ASD-LSB5A-PRO-150BK		ASD-LSB5A-PRO-240BK		ASD-LSB5A-PRO-500BK	
	ASD-LSB5A-PRO-200WH	32,065/33,511/33,400 lm	ASD-LSB5A-PRO-300WH	48,920/52,440/51,504 lm	ASD-LSB5A-HV-PRO-150BR	23,815/25,191/24,433 lm
	ASD-LSB5A-PRO-200SL		ASD-LSB5A-PRO-300SL		ASD-LSB5A-HV-PRO-200BR	32,569/35,039/34,227 lm
	ASD-LSB5A-PRO-200BR		ASD-LSB5A-PRO-300BR		ASD-LSB5A-HV-PRO-240BR	39,137/41,388/40,311 lm
	ASD-LSB5A-PRO-200BK		ASD-LSB5A-PRO-300BK		ASD-LSB5A-HV-PRO-300BR	48,734/52,361/51,346 lm
				ASD-LSB5A-HV-PRO-500BR	81,400/86,582/84,226 lm	
Color temperature	3CCT (3,000/4,000/5,000 K), 5,000 K by default					
CRI	> 70					
Electrical system						
Input voltage	Regular voltage: 120-277 V			High voltage: 277-480 V		
Max input current	ASD-LSB5A-PRO-150WH	2 A	ASD-LSB5A-PRO-240WH	3 A	ASD-LSB5A-PRO-500WH	6 A
	ASD-LSB5A-PRO-150SL		ASD-LSB5A-PRO-240SL		ASD-LSB5A-PRO-500SL	
	ASD-LSB5A-PRO-150BR		ASD-LSB5A-PRO-240BR		ASD-LSB5A-PRO-500BR	
	ASD-LSB5A-PRO-150BK		ASD-LSB5A-PRO-240BK		ASD-LSB5A-PRO-500BK	
	ASD-LSB5A-PRO-200WH	2.6 A	ASD-LSB5A-PRO-300WH	4 A	ASD-LSB5A-HV-PRO-150BR	1.7 A
	ASD-LSB5A-PRO-200SL		ASD-LSB5A-PRO-300SL		ASD-LSB5A-HV-PRO-200BR	2.3 A
	ASD-LSB5A-PRO-200BR		ASD-LSB5A-PRO-300BR		ASD-LSB5A-HV-PRO-240BR	2.7 A
	ASD-LSB5A-PRO-200BK		ASD-LSB5A-PRO-300BK		ASD-LSB5A-HV-PRO-300BR	3.7 A
				ASD-LSB5A-HV-PRO-500BR	2.3 A	
Inrush current (Action time)	ASD-LSB5A-PRO-150WH	80 A (0.35 S)	ASD-LSB5A-PRO-240WH	80 A (0.35 S)	ASD-LSB5A-PRO-500WH	80 A (0.35 S)
	ASD-LSB5A-PRO-150SL		ASD-LSB5A-PRO-240SL		ASD-LSB5A-PRO-500SL	
	ASD-LSB5A-PRO-150BR		ASD-LSB5A-PRO-240BR		ASD-LSB5A-PRO-500BR	
	ASD-LSB5A-PRO-150BK		ASD-LSB5A-PRO-240BK		ASD-LSB5A-PRO-500BK	
	ASD-LSB5A-PRO-200WH	100 A (0.35 S)	ASD-LSB5A-PRO-300WH	100 A (0.35 S)	ASD-LSB5A-HV-PRO-150BR	75 A (0.42 S)
	ASD-LSB5A-PRO-200SL		ASD-LSB5A-PRO-300SL		ASD-LSB5A-HV-PRO-200BR	
	ASD-LSB5A-PRO-200BR		ASD-LSB5A-PRO-300BR		ASD-LSB5A-HV-PRO-240BR	
	ASD-LSB5A-PRO-200BK		ASD-LSB5A-PRO-300BK		ASD-LSB5A-HV-PRO-300BR	
				ASD-LSB5A-HV-PRO-500BR		
Off state power	0W					
Power consumption	ASD-LSB5A-PRO-150WH	100/120/150W	ASD-LSB5A-PRO-240WH	150/200/240W	ASD-LSB5A-PRO-500WH	300/400/500W
	ASD-LSB5A-PRO-150SL		ASD-LSB5A-PRO-240SL		ASD-LSB5A-PRO-500SL	
	ASD-LSB5A-PRO-150BR		ASD-LSB5A-PRO-240BR		ASD-LSB5A-PRO-500BR	
	ASD-LSB5A-PRO-150BK		ASD-LSB5A-PRO-240BK		ASD-LSB5A-PRO-500BK	
	ASD-LSB5A-PRO-200WH	100/150/200W	ASD-LSB5A-PRO-300WH	200/240/300W	ASD-LSB5A-HV-PRO-150BR	100/120/150W
	ASD-LSB5A-PRO-200SL		ASD-LSB5A-PRO-300SL		ASD-LSB5A-HV-PRO-200BR	100/150/200W
	ASD-LSB5A-PRO-200BR		ASD-LSB5A-PRO-300BR		ASD-LSB5A-HV-PRO-240BR	150/200/240W
	ASD-LSB5A-PRO-200BK		ASD-LSB5A-PRO-300BK		ASD-LSB5A-HV-PRO-300BR	200/240/300W
				ASD-LSB5A-HV-PRO-500BR	300/400/500W	
Power factor	> 0.9					
Output voltage	180-260 V					

For most up-to-date spec sheets please refer to [asd-lighting.com](http://asd-lighting.com)



# LED AREA LIGHT WITH Q-BASE

Electrical system						
Max output current	ASD-LSB5A-PRO-150WH	0.5-0.75 A	ASD-LSB5A-PRO-240WH	0.75-1.1 A	ASD-LSB5A-PRO-500WH	1.5-2.2 A
	ASD-LSB5A-PRO-150SL		ASD-LSB5A-PRO-240SL		ASD-LSB5A-PRO-500SL	
	ASD-LSB5A-PRO-150BR		ASD-LSB5A-PRO-240BR		ASD-LSB5A-PRO-500BR	
	ASD-LSB5A-PRO-150BK		ASD-LSB5A-PRO-240BK		ASD-LSB5A-PRO-500BK	
	ASD-LSB5A-PRO-200WH	0.65-0.9 A	ASD-LSB5A-PRO-300WH	1.1-1.5 A	ASD-LSB5A-HV-PRO-150BR	0.58-0.7 A
	ASD-LSB5A-PRO-200SL		ASD-LSB5A-PRO-300SL		ASD-LSB5A-HV-PRO-200BR	0.75-0.95 A
	ASD-LSB5A-PRO-200BR		ASD-LSB5A-PRO-300BR		ASD-LSB5A-HV-PRO-240BR	0.75-1.1 A
	ASD-LSB5A-PRO-200BK		ASD-LSB5A-PRO-300BK		ASD-LSB5A-HV-PRO-300BR	1-1.45 A
				ASD-LSB5A-HV-PRO-500BR	1.5-2.2 A	
Surge protection DM/CM	6 kV / 6 kV for 500W models: 10 kV / 10 kV					

Effective projected area (EPA) ratings						
Fixture q-ty						
	Single	Double 180°	Double 90°	Triple 90°	Triple 120°	Quad 90°
EPA of 100/150/200W	0.28	0.52	0.52	0.8	0.74	0.8
EPA of 240/300W	0.33	0.61	0.69	0.85	0.83	0.85
EPA of 500W	0.48	0.94	0.92	1.27	1.22	1.42

Dimming compatible controls	
Brand	Eaton
Models	SF10P   DF10P
Regular and voluntary certifications	
5-year limited warranty	
DesignLights Consortium (DLC) listed (Classification: Premium) Main: Outdoor luminaires; General application: High/Very high output (Very high output for models from 240W and higher); Primary use: Outdoor pole/arm-mounted area and roadway luminaires	
UL certified E473804	

## PACKAGE CONTENTS:

Description	Q-ty
LED Area Light with Q-Base	1
Box	1

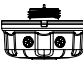
For most up-to-date spec sheets please refer to [asd-lighting.com](http://asd-lighting.com)




# LED AREA LIGHT WITH Q-BASE

## ACCESSORIES (sold separately):


**Microwave motion sensor 3pin**  
ASD-09MW-WH




**Infrared motion sensor 3pin**  
ASD-09IR-WH




**Remote control for motion sensor**  
H005R



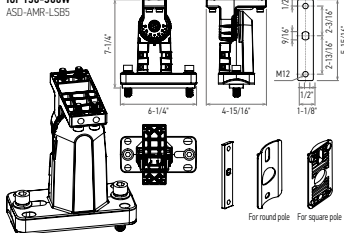
**Clear lens for 150-200W**  
type II-M ASD-L2A-LSB5  
type IV-S ASD-L4A-LSB5  
type V-S ASD-L5A-LSB5



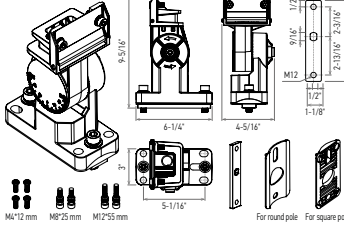
**Clear lens for 240-300W**  
type II-M ASD-L2B-LSB5  
type IV-S ASD-L4B-LSB5  
type V-S ASD-L5B-LSB5



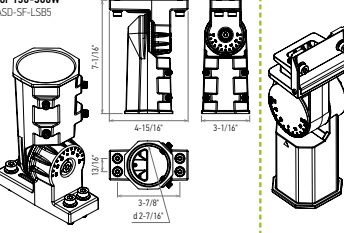
**Adjustable arm mounting bracket for 150-300W**  
ASD-AMR-LSB5



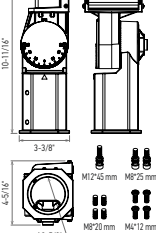
**Adjustable arm mounting bracket for 500W**  
ASD-AMR2-LSB



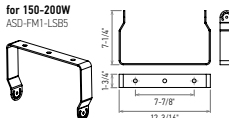
**Slip fitter bracket for 150-300W**  
ASD-SF-LSB5



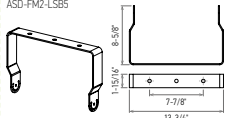
**Slip fitter bracket for 500W**  
ASD-SF2-LSB



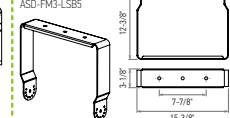
**Floodlight mounting bracket for 150-200W**  
ASD-FM1-LSB5



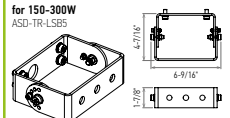
**Floodlight mounting bracket for 240-300W**  
ASD-FM2-LSB5



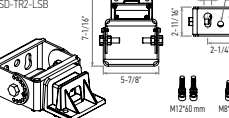
**Floodlight mounting bracket for 500W**  
ASD-FM3-LSB5



**Full trunnion mounting bracket for 150-200W**  
ASD-TR-LSB5



**Full trunnion mounting bracket for 500W**  
ASD-TR2-LSB



## ACCESSORY COMPATIBILITY LIST:

Model	Accessories												
	Microwave motion sensor 3pin ASD-09MW-WH	Infrared motion sensor 3pin ASD-09IR-WH	Clear lens for 150-200W ASD-L2A-LSB5 (type II-M) ASD-L4A-LSB5 (type IV-S) ASD-L5A-LSB5 (type V-S)	Clear lens for 240-300W ASD-L2B-LSB5 (type II-M) ASD-L4B-LSB5 (type IV-S) ASD-L5B-LSB5 (type V-S)	Adjustable arm mounting bracket for 150-300W ASD-AMR-LSB5-WH ASD-AMR-LSB5-SL ASD-AMR-LSB5-BR ASD-AMR-LSB5-BK	Adjustable arm mounting bracket for 500W ASD-AMR2-LSB-WH ASD-AMR2-LSB-SL ASD-AMR2-LSB-BR ASD-AMR2-LSB-BK	Slip fitter bracket for 150-300W ASD-SF-LSB5-WH ASD-SF-LSB5-SL ASD-SF-LSB5-BR ASD-SF-LSB5-BK	Slip fitter bracket for 500W ASD-SF2-LSB-WH ASD-SF2-LSB-SL ASD-SF2-LSB-BR ASD-SF2-LSB-BK	Floodlight mounting bracket for 150-200W ASD-FM1-LSB5-WH ASD-FM1-LSB5-SL ASD-FM1-LSB5-BR ASD-FM1-LSB5-BK	Floodlight mounting bracket for 240-300W ASD-FM2-LSB5-WH ASD-FM2-LSB5-SL ASD-FM2-LSB5-BR ASD-FM2-LSB5-BK	Floodlight mounting bracket for 500W ASD-FM3-LSB5-WH ASD-FM3-LSB5-SL ASD-FM3-LSB5-BR ASD-FM3-LSB5-BK	Full trunnion mounting bracket for 150-300W ASD-TR-LSB5-WH ASD-TR-LSB5-SL ASD-TR-LSB5-BR ASD-TR-LSB5-BK	Full trunnion mounting bracket for 500W ASD-TR2-LSB-WH ASD-TR2-LSB-SL ASD-TR2-LSB-BR ASD-TR2-LSB-BK
ASD-LSB5A-PRO	150W	•	•	•	•	•	•	•	•	•	•	•	•
	200W	•	•	•	•	•	•	•	•	•	•	•	•
	240W	•	•	•	•	•	•	•	•	•	•	•	•
	300W	•	•	•	•	•	•	•	•	•	•	•	•
	500W	•	•	•	•	•	•	•	•	•	•	•	•
ASD-LSB5A-HV-PRO	150W	•	•	•	•	•	•	•	•	•	•	•	•
	200W	•	•	•	•	•	•	•	•	•	•	•	•
	240W	•	•	•	•	•	•	•	•	•	•	•	•
	300W	•	•	•	•	•	•	•	•	•	•	•	•
	500W	•	•	•	•	•	•	•	•	•	•	•	•

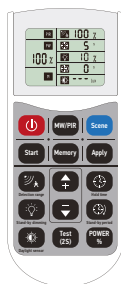
For most up-to-date spec sheets please refer to [asd-lighting.com](http://asd-lighting.com)










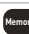



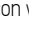
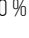


# LED AREA LIGHT WITH Q-BASE

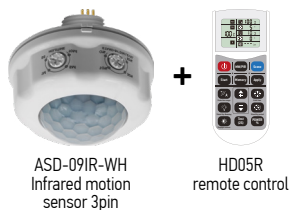
## MOTION SENSOR INFORMATION

REMOTE CONTROL **HD05R** sold separately:



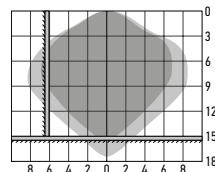
Button	Remarks	Button	Remarks	Button	Remarks
	<b>ON/OFF</b> Turn the sensor ON/OFF.		<b>Apply</b> Applies current scene settings to the fixture.		<b>Hold time</b> The period that light will stay illuminated 100 % after no motion is detected. Use this button and the + - buttons to adjust.
	<b>MW/IR</b> Select microwave or infrared sensor.		<b>Detection range</b> Also known as "sensitivity", 100 % means the highest sensitivity and longest distance. Use this button and the + - buttons to adjust.		<b>Stand-by period</b> The period after holdtime, during which the light keeps standby dimming level. Use this button and the + - buttons to adjust.
	<b>Scene</b> Shows current settings saved in remote.		<b>Stand-by dimming</b> After hold time, the light will dim from 100 % to optional standby dimming levels. Use this button and the + - buttons to adjust.		<b>Daylight sensor</b> The preset lux level at which motion will be detected. Use this button and the + - buttons to adjust.
	<b>Start</b> Press this to begin scene setup.		<b>UP</b> The main functional buttons to adjust the factors to desired level. Press + - button to dim light directly in non-detection mode.		<b>Test mode</b> Press this button to test the sensor; it will temporarily change the hold time to 2s. This setting cannot be saved.
	<b>Memory</b> Saves the scene settings.		<b>DOWN</b>		<b>Power</b> The dimming output in detection mode. Use this button and the + - buttons to adjust.

\* When any programming is set, icon will blink for 5s and fixture will dim and then resume at 100 % meaning the program has been saved.

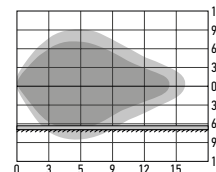


### ASD-09MW-WH:

Ceiling mounted



Wall mounted



- Highest mounting height is 49.2 ft (15 m)
  - This figure indicates the maximum distance at the highest mounting height with 100 % sensitivity.
- Well detected area  
■ Possibly detected area

#### Installation precautions:

- Microwave sensor can be installed in any lamp except one with a full metal shell.
- The detected surface cannot be shielded by metal objects.
- Make sure the microwave module is completely exposed.
- The detection surface of the sensor module should be installed facing the detection area.

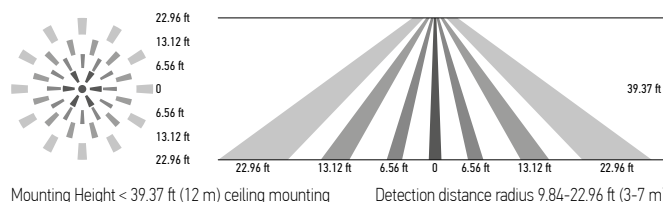
#### Application environment:

- Suitable for indoor installation to avoid false triggering due to external factors such as rain, wind or tree movement.
- Shall not be installed in a place with all metal walls or small spaces (such as galvanized-iron roof).
- Shall be mounted securely, to avoid any false triggers caused by movement of the fixture itself.
- Shall not be installed next to large operating machines such as a ventilator or ceiling fan, to avoid false triggers caused by machine vibration.

#### User notes:

- Microwaves can penetrate walls or glass thinner than 0.8" but will be impaired if thicker than 0.8".
- The driver voltage shall be stable and float within 10 %.
- Detection area will be affected by speed of motion, mounting height and movement volume.
- Conduct testing with adequate ambient lighting for best results.

### ASD-09IR-WH:



Specifications	Model: ASD-09MW-WH	Model: ASD-09IR-WH
Operating voltage	10-15 V	
Operating current	< 30 mA	< 15 mA
Working mode	0-10 V	
Detection area	25 %/50 %/75 %/100 %	
Hold time	Remote control: 5 s/30 s/1 min/3 min/5 min/10 min/20 min/30 min	Built-in switch: 5 s/1 min/5 min/10 min
Daylight threshold	2 lux (0.2 fc)/10 lux (0.9 fc)/30 lux (2.8 fc)/50 lux (4.7 fc)/80 lux (7.4 fc)/120 lux (11.2 fc)/200 lux (18.6 fc)/250 lux (23.2 fc)/300 lux (27.9 fc)/350 lux (32.5 fc)/400 lux (37.2 fc)/disable	
Standby period	0 s/10 s/30 s/1 min/5 min/10 min/30 min/60 min/+ ∞	
Standby dimming level	Remote control: 10 %/20 %/30 %/50 %	Built-in switch: 0 %/10 %/30 %/50 %
Operating temperature	-40°F to 158°F (-40°C to 70°C)	-4°F to 140°F (-20°C to 60°C)
Mounting height	max 49.2 ft (15 m)	≤ 39 ft (12 m)
Detection range	≥ 9 ft (3 m)	
Operating frequency	5.8 GHz ± 75 GHz	-
Transmitting power	< 0.3 mW	-
IP rating	IP65	

### DEFAULT SETTING:

Specifications	
Detection area	100 %
Hold time	20 min
Daylight threshold	Disable
Stand-by period	0 s
Stand-by dimming level	10 %

⚠ RF interference may affect the operation of this sensor.

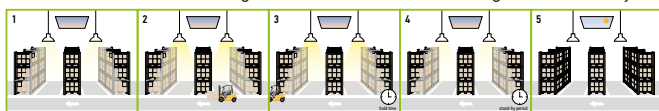
For most up-to-date spec sheets please refer to [asd-lighting.com](http://asd-lighting.com)



# LED AREA LIGHT WITH Q-BASE

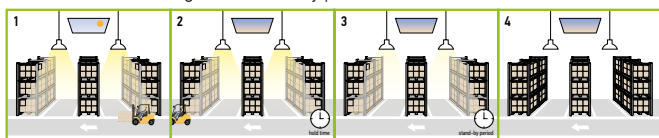
## WITH DUSK/DAWN FUNCTION:

1. With insufficient ambient brightness, sensor turns on light and keeps it at standby dimming level even if there is no motion or presence.
2. When sensor detects motion or presence it will bring the light level up to 100%.
3. After motion is no longer detected, fixture remains at 100% for hold time.
4. After pre-set hold time period it will dim to standby dimming level again and always keep it.
5. With sufficient ambient brightness, sensor will turn OFF light automatically.



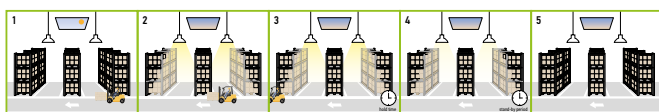
## WITH DAYLIGHT DISABLED:

1. Sensor turns ON light when motion is detected.
2. Light will stay on after detecting motion for the desired hold time.
3. Sensor dims light to standby dimming level after hold time if there is still no motion.
4. Sensor turns OFF light after standby period.



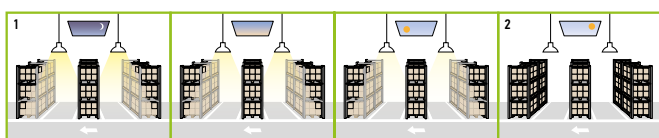
## WITH DAYLIGHT THRESHOLD:

1. With sufficient daylight, the light remains OFF even after motion is detected.
2. With insufficient daylight, the sensor turns light ON when motion is detected.
3. After there's no motion detected, the sensor keeps light ON 100% for holdtime.
4. After holdtime, sensor dims light to standby dimming level for standby period. If the standby period has been set as 0s, sensor turns light OFF automatically after holdtime.
5. The sensor turns OFF light automatically after the standby period when there's no motion detected.



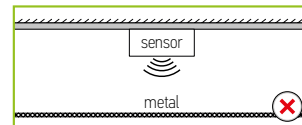
## DAYLIGHT HARVESTING:

1. When ambient brightness is lower than preset lux level, sensor will turn on light automatically and keep dimming according to the change of the ambient brightness. As it gets darker outside the fixtures will brighten, and as it gets brighter outside the fixtures will dim down.
2. When the ambient brightness exceeds the preset lux level, the light will turn OFF.

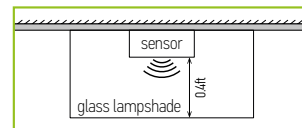


Only for ASD-09MW-WH and ASD-09IR-WH models.

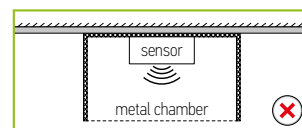
To avoid blocking the microwave emission, the microwave sensor can not be covered with metal materials, be sprayed with a coating of metal components, or have attached metal material or stickers etc.



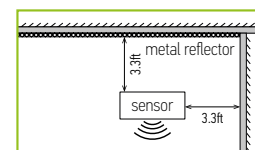
The distance between the antenna and the glass (dielectric material) should be no less than 0.4 ft when the sensor is within the glass lampshade. Otherwise, the microwave motion sensor will not penetrate the glass easily.



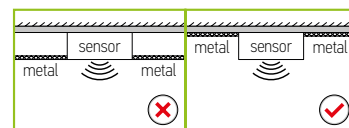
Avoid placing the sensor inside a metal chamber, this may cause a mis-trigger.



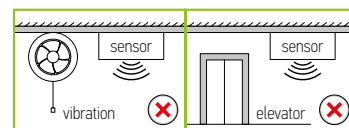
The sensor should not be placed in a small confined space. To avoid increasing the sensor detection range or abnormal operation, the sensor should be kept away from large areas of metal and glass reflectors (separation distance at least 3.3 ft). Reduce the detection area setting.



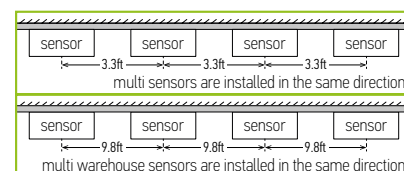
To avoid affecting the microwave signal transmission, the microwave antenna should be higher than the surrounding metal surface.



Any vibration or movement may trigger the sensor. Ensure the sensor is far from any constant movement.

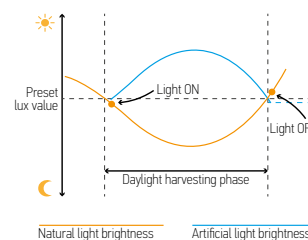


When multiple sensors are installed side-by-side in the same direction, the distance between each sensor should be at least 3.3 ft (the warehouse sensors at least 9.8 ft) to avoid mutual interference.



## DAYLIGHT HARVESTING SETTING:

1. Adjust "daylight" value higher than 50lux.
2. Preset "standby period" 0S
3. Press MW/IR button 3 times until the MW/IR icons are both blinking on LCD screen, daylight harvesting function enabled. (With BLE version, press DH button, daylight harvesting function enabled).



For most up-to-date spec sheets please refer to [asd-lighting.com](http://asd-lighting.com)



# LED AREA LIGHT WITH Q-BASE

## BUILT-IN PHOTOCELL INFORMATION

The fixtures with a built-in photocell automatically turn off during daylight hours.

Specifications	
Light level to turn ON	≤ 80 lux (≤ 7.4 fc)
Light level to turn OFF	≥ 150 lux (≥ 13.9 fc)
Operating temperature	-40°F to 140°F (-40°C to 60°C)

## INSTALLATION GUIDE

### IMPORTANT SAFETY INFORMATION:

Please read all the instructions below before installation.

- ▶ Make sure that the supply voltage corresponds to the rated product voltage.
- ▶ The product must be installed by a qualified electrician in accordance with the National Electrical Code and corresponding local codes.
- ▶ If the product is damaged, do not use it.

### ⚠ WARNING

**RISK OF PERSONAL INJURY – READ and follow all WARNINGS and installation instructions.** Keep or give to the owner for future reference.

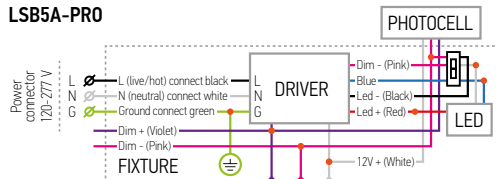
**Risk of cuts:** Wear gloves to prevent cuts or abrasions when removing from carton, handling, installing, and maintaining this product.

**Risk of electric shock:** This product must be installed in accordance with the applicable installation code by a person familiar with the construction and operation of the product and the hazards involved.

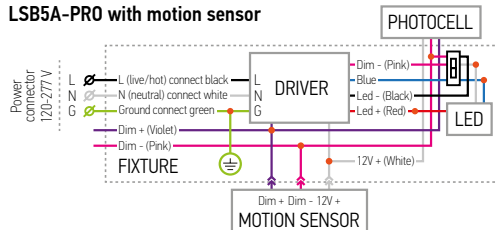
**Risk of Fire:** Minimum 194°F supply conductors. Consult a qualified electrician to ensure correct branch circuit conductor. ASD® assumes no responsibility for claims arising out of improper or careless installation or handling of this product.

### ELECTRICAL SCHEMATIC DIAGRAM:

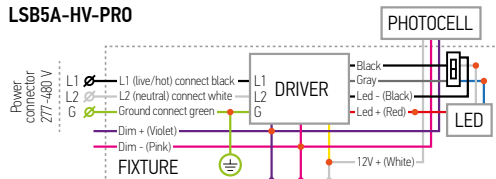
#### LSB5A-PRO



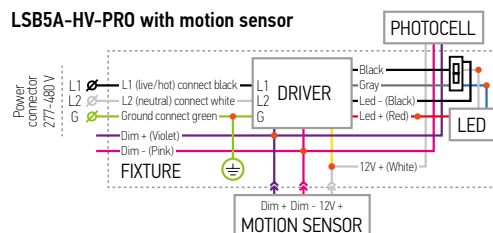
#### LSB5A-PRO with motion sensor



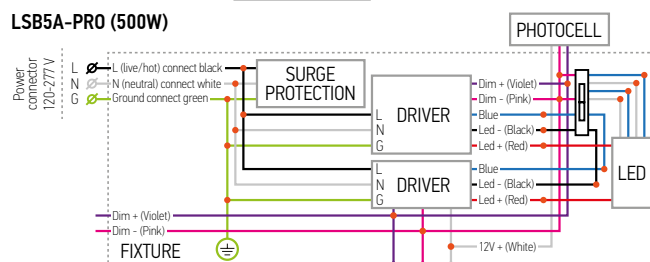
#### LSB5A-HV-PRO



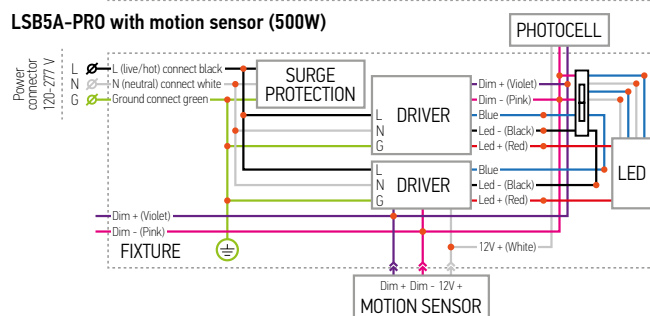
#### LSB5A-HV-PRO with motion sensor



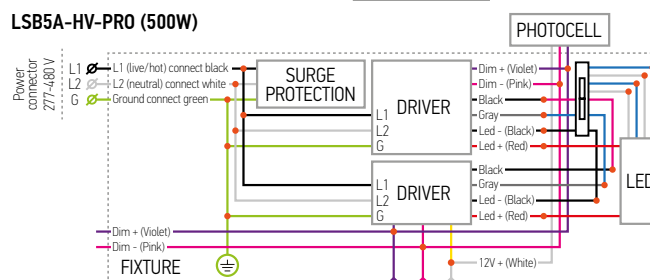
#### LSB5A-PRO (500W)



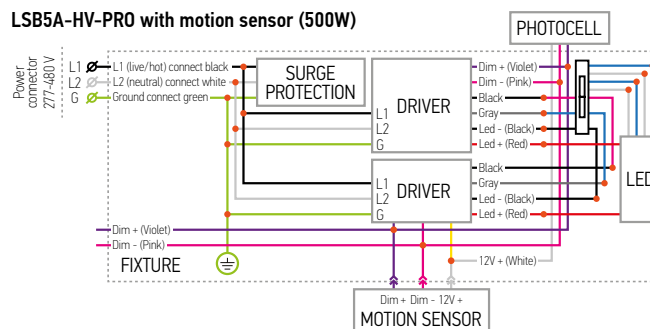
#### LSB5A-PRO with motion sensor (500W)



#### LSB5A-HV-PRO (500W)



#### LSB5A-HV-PRO with motion sensor (500W)



For most up-to-date spec sheets please refer to [asd-lighting.com](http://asd-lighting.com)



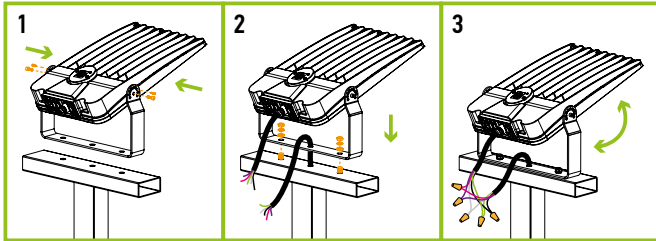
# LED AREA LIGHT WITH Q-BASE

## FLOODLIGHT MOUNTING BRACKET

**ASD-FM1-LSB5 ASD-FM2-LSB5 ASD-FM3-LSB5**

**sold separately:**

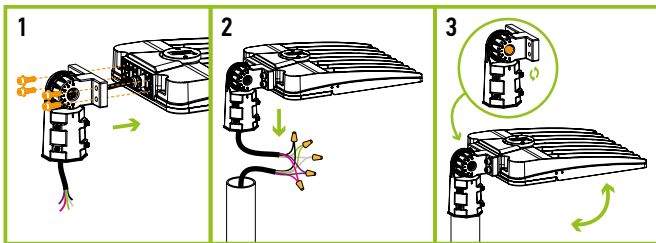
1. Drill holes on the mounting surface corresponding to the holes in the arm. Attach fixture to bracket with 2 screws.
2. Align bracket holes with mounting surface holes and secure with 2 screws.
3. Wire in accordance with the wiring schematic. Seal the connections with the back plate of the fixture. Adjust fixture angle as needed.



## SLIP FITTER MOUNTING BRACKET

**ASD-SF-LSB5** sold separately:

1. Thread the wire through the slip fitter and secure it to the fixture with four screws.
2. Make AC connections in accordance with wiring diagram.
3. If necessary adjust the fixture angle with the large hex bolt on the side of the slip fitter.

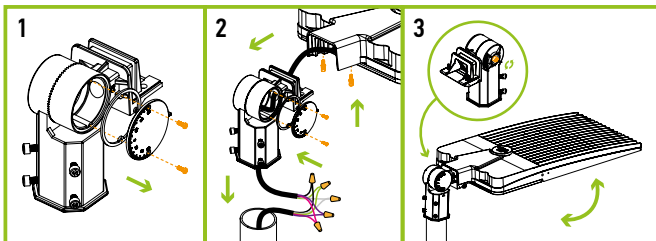


The wiring is inside the pole, the side is sealed with a rubber ring and secured with screws, preventing water from getting inside the fixture.

## SLIP FITTER MOUNTING BRACKET FOR 500W

**ASD-SF2-LSB** sold separately:

1. Remove the circular plate from the slip fitter (2 screws).
2. Thread the wire through the slip fitter into the pole. Make AC connections in accordance with wiring diagram.
3. If necessary adjust the fixture angle with the large hex bolt on the side of the slip fitter.

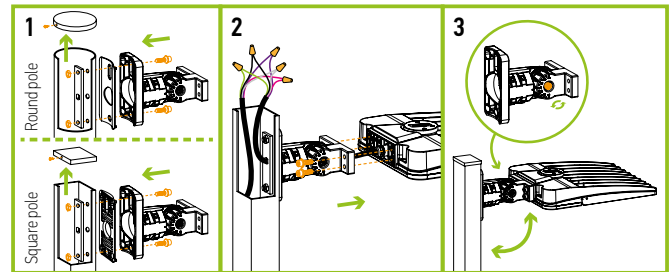


The wiring is inside the pole, the side is sealed with a rubber ring and secured with screws, preventing water from getting inside the fixture.

## ADJUSTABLE ARM MOUNTING BRACKET

**ASD-AMR-LSB5** sold separately:

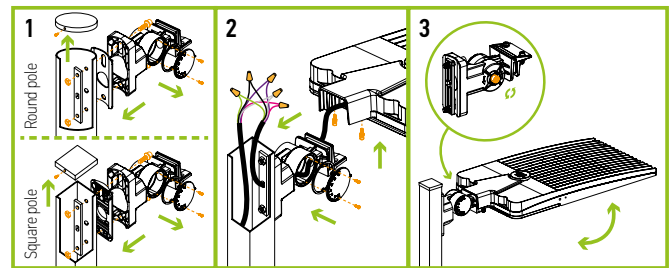
1. Open up the door on the arm bracket (1 screw). Install the mounting arm onto the pole (2 bolts). Make sure the silicone gaskets form a tight seal. Choose gasket depending on the shape of the pole (round or flat).
2. Thread the cord from the fixture through the bracket into the pole and tighten the two M8 screws on the body of the light. Wire in accordance with wiring schematic.
3. Adjust the fixture angle with the large hex bolt on the side of the bracket if necessary.



## ADJUSTABLE ARM MOUNTING BRACKET FOR 500W

**ASD-AMR2-LSB** sold separately:

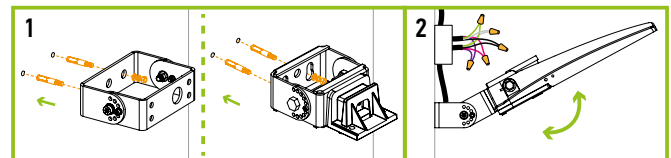
1. Open up the door on the arm bracket (1 screw). Install the mounting arm onto the pole (2 bolts). Make sure the silicone gaskets form a tight seal. Choose gasket depending on the shape of the pole (round or flat).
2. Thread the cord from the fixture through the bracket into the pole and tighten the two M8 screws on the body of the light. Wire in accordance with wiring schematic.
3. Adjust the fixture angle with the large hex bolt on the side of the bracket if necessary.



## FULL TRUNNION MOUNTING BRACKET

**ASD-TR-LSB5 ASD-TR2-LSB** sold separately:

1. Drill holes on the mounting surface matching in size to the holes on the arm. Secure the bracket on the wall with screws. Pull wires through mount, secure fixture to the bracket.
2. Wire the AC power into the water tight junction box as shown in the wiring schematic diagram. Adjust the screw position to get desired angle when necessary.



For most up-to-date spec sheets please refer to [asd-lighting.com](http://asd-lighting.com)





# LED AREA LIGHT WITH Q-BASE

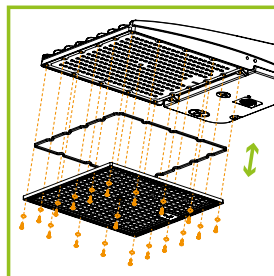
**LENS** ASD-L2A-LSB5 ASD-L2B-LSB5

ASD-L4A-LSB5 ASD-L4B-LSB5 ASD-L5A-LSB5

ASD-L5B-LSB5 sold separately:

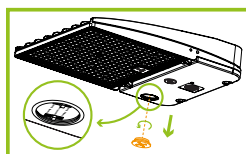
1. Unscrew all screws from the original lens (T3-M) on the housing.
2. Install the rubber ring on new lens (T4/T5-M, sold separately).
3. Place the lens on the housing and make sure it fits the LEDs correctly.
4. Tighten all the screws back.

Lens	
150W, 200W	1 lens (L2A, L4A, L5A)
240W, 300W	1 lens (L2B, L4B, L5B)
500W	-



## POWER AND COLOR TEMPERATURE SETTINGS:

Open knockout cap in the front panel of the fixture and select needed power and color temperature with a simple switch. Then close the knockout cap back.

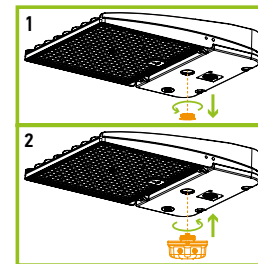


## MOTION SENSOR INSTALLATION

ASD-09MW-WH ASD-09IR-WH

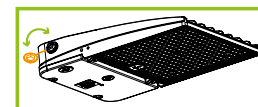
sold separately:

1. Unscrew the microwave sensor base cap.
2. Insert and twist the sensor until it is tight on the base surface.



## PHOTOCELL SETTINGS:

Integrated photocell switches the fixture on at night time. It can be easily deactivated by putting the cap on.



## ORDERING INFORMATION

Model	UPC	Pcs. per carton	Carton size	Carton weight	GTIN 14
<b>LSB5A-PRO</b>					
ASD-LSB5A-PRO-150WH	810128113984	1	16.9" x 11.8" x 4.3"	8.7 lbs	-
ASD-LSB5A-PRO-150SL	810128111843	1	16.9" x 11.8" x 4.3"	8.7 lbs	-
ASD-LSB5A-PRO-150BR	810128112413	1	16.9" x 11.8" x 4.3"	8.7 lbs	-
ASD-LSB5A-PRO-150BK	810128111850	1	16.9" x 11.8" x 4.3"	8.7 lbs	-
ASD-LSB5A-PRO-200WH	810128113151	1	16.9" x 11.8" x 4.3"	8.8 lbs	-
ASD-LSB5A-PRO-200SL	810128111874	1	16.9" x 11.8" x 4.3"	8.8 lbs	-
ASD-LSB5A-PRO-200BR	810128112437	1	16.9" x 11.8" x 4.3"	8.8 lbs	-
ASD-LSB5A-PRO-200BK	810128111867	1	16.9" x 11.8" x 4.3"	8.8 lbs	-
ASD-LSB5A-PRO-240WH	810128113991	1	20.9" x 13.4" x 4.3"	11.2 lbs	-
ASD-LSB5A-PRO-240SL	810128111881	1	20.9" x 13.4" x 4.3"	11.2 lbs	-
ASD-LSB5A-PRO-240BR	810128110969	1	20.9" x 13.4" x 4.3"	11.2 lbs	-
ASD-LSB5A-PRO-240BK	810128111898	1	20.9" x 13.4" x 4.3"	11.2 lbs	-
ASD-LSB5A-PRO-300WH	810128113168	1	20.9" x 13.4" x 4.3"	11.5 lbs	-
ASD-LSB5A-PRO-300SL	810128111904	1	20.9" x 13.4" x 4.3"	11.5 lbs	-
ASD-LSB5A-PRO-300BR	810128112420	1	20.9" x 13.4" x 4.3"	11.5 lbs	-
ASD-LSB5A-PRO-300BK	810128111911	1	20.9" x 13.4" x 4.3"	11.5 lbs	-
ASD-LSB5A-PRO-500WH	810128114004	1	28.4" x 15" x 4.3"	19.8 lbs	-
ASD-LSB5A-PRO-500SL	810128111935	1	28.4" x 15" x 4.3"	19.8 lbs	-
ASD-LSB5A-PRO-500BR	810128110983	1	28.4" x 15" x 4.3"	19.8 lbs	-
ASD-LSB5A-PRO-500BK	810128111928	1	28.4" x 15" x 4.3"	19.8 lbs	-
<b>LSB5A-HV-PRO</b>					
ASD-LSB5A-HV-PRO-150BR	810128110990	1	16.9" x 11.8" x 4.3"	8.8 lbs	-
ASD-LSB5A-HV-PRO-200BR	810128111799	1	16.9" x 11.8" x 4.3"	9 lbs	-
ASD-LSB5A-HV-PRO-240BR	810128111003	1	20.9" x 13.4" x 4.3"	11.2 lbs	-
ASD-LSB5A-HV-PRO-300BR	810128111010	1	20.9" x 13.4" x 4.3"	11.5 lbs	-
ASD-LSB5A-HV-PRO-500BR	810128111027	1	28.4" x 15" x 4.3"	19.8 lbs	-

For most up-to-date spec sheets please refer to [asd-lighting.com](http://asd-lighting.com)

ASD LIGHTING CORP

E-mail: [orders@asd-lighting.com](mailto:orders@asd-lighting.com) | Web site: [www.asd-lighting.com](http://www.asd-lighting.com)





# LED AREA LIGHT WITH Q-BASE

## ACCESSORIES:

Model	Description	UPC	Pcs. per carton	Carton size	Carton weight	GTIN 14
ASD-09MW-WH	Microwave motion sensor 3pin	810128113700	120	15.8" x 11.8" x 9.3"	12.1 lbs	10810128113707
ASD-09IR-WH	Infrared motion sensor 3pin	810128113694	120	15.8" x 11.8" x 9.3"	12.1 lbs	10810128113691
HD05R	Remote control for motion sensor	810050738767	78	15.8" x 11.8" x 9.3"	21.5 lbs	10810050738764
ASD-L2A-LSB5	Clear lens type II-M for 150-200W	810128114103	50	18.5" x 11" x 9.1"	25.4 lbs	10810128114100
ASD-L4A-LSB5	Clear lens type IV-S for 150-200W	810128114127	50	18.5" x 11" x 9.1"	25.4 lbs	10810128114124
ASD-L5A-LSB5	Clear lens type V-S for 150-200W	810128114141	50	18.5" x 11" x 9.1"	25.4 lbs	10810128114148
ASD-L2B-LSB5	Clear lens type II-M for 240-300W	810128114110	25	12.6" x 12.6" x 9.8"	19.1 lbs	10810128114117
ASD-L4B-LSB5	Clear lens type IV-S for 240-300W	810128114134	25	12.6" x 12.6" x 9.8"	19.1 lbs	10810128114131
ASD-L5B-LSB5	Clear lens type V-S for 240-300W	810128114158	25	12.6" x 12.6" x 9.8"	19.1 lbs	10810128114155
ASD-AMR-LSB5-WH	Adjustable arm mounting bracket white for 150-300W	810128113298	20	27.4" x 16.5" x 14"	52.9 lbs	10810128113295
ASD-AMR-LSB5-SL	Adjustable arm mounting bracket silver for 150-300W	810128112253	20	27.4" x 16.5" x 14"	52.9 lbs	20810128112257
ASD-AMR-LSB5-BR	Adjustable arm mounting bracket bronze for 150-300W	810128112246	20	27.4" x 16.5" x 14"	52.9 lbs	20810128112240
ASD-AMR-LSB5-BK	Adjustable arm mounting bracket black for 150-300W	810128112239	20	27.4" x 16.5" x 14"	52.9 lbs	20810128112233
ASD-AMR2-LSB-WH	Adjustable arm mounting bracket white for 500W	810128114011	10	21.4" x 9.6" x 13.4"	30.9 lbs	10810128114018
ASD-AMR2-LSB-SL	Adjustable arm mounting bracket silver for 500W	810128113335	10	21.4" x 9.6" x 13.4"	30.9 lbs	10810128113332
ASD-AMR2-LSB-BR	Adjustable arm mounting bracket bronze for 500W	810128113328	10	21.4" x 9.6" x 13.4"	30.9 lbs	10810128113325
ASD-AMR2-LSB-BK	Adjustable arm mounting bracket black for 500W	810128113311	10	21.4" x 9.6" x 13.4"	30.9 lbs	10810128113318
ASD-SF-LSB5-WH	Slip fitter mounting bracket white for 150-300W	810128113304	20	15.5" x 17.7" x 11.1"	35.3 lbs	10810128113301
ASD-SF-LSB5-SL	Slip fitter mounting bracket silver for 150-300W	810128111973	20	15.5" x 17.7" x 11.1"	35.3 lbs	10810128111970
ASD-SF-LSB5-BR	Slip fitter mounting bracket bronze for 150-300W	810128111041	20	15.5" x 17.7" x 11.1"	35.3 lbs	20810128111045
ASD-SF-LSB5-BK	Slip fitter mounting bracket black for 150-300W	810128111966	20	15.5" x 17.7" x 11.1"	35.3 lbs	10810128111963
ASD-SF2-LSB-WH	Slip fitter mounting bracket white for 500W	810128114257	10	18.4" x 9.3" x 11.8"	35.1 lbs	10810128114254
ASD-SF2-LSB-SL	Slip fitter mounting bracket silver for 500W	810128114240	10	18.4" x 9.3" x 11.8"	35.1 lbs	10810128114247
ASD-SF2-LSB-BR	Slip fitter mounting bracket bronze for 500W	810128114233	10	18.4" x 9.3" x 11.8"	35.1 lbs	10810128114230
ASD-SF2-LSB-BK	Slip fitter mounting bracket black for 500W	810128114226	10	18.4" x 9.3" x 11.8"	35.1 lbs	10810128114223
ASD-FM1-LSB5-WH	Floodlight mounting bracket white for 150-200W	810128114073	10	13.2" x 15.9" x 12.8"	19.8 lbs	10810128114070
ASD-FM1-LSB5-SL	Floodlight mounting bracket silver for 150-200W	810128112024	10	13.2" x 15.9" x 12.8"	19.8 lbs	10810128112021
ASD-FM1-LSB5-BR	Floodlight mounting bracket bronze for 150-200W	810128112017	10	13.2" x 15.9" x 12.8"	19.8 lbs	10810128112014
ASD-FM1-LSB5-BK	Floodlight mounting bracket black for 150-200W	810128112000	10	13.2" x 15.9" x 12.8"	19.8 lbs	10810128112007
ASD-FM2-LSB5-WH	Floodlight mounting bracket white for 240-300W	810128114080	10	14.8" x 13.8" x 18.9"	26.5 lbs	10810128114087
ASD-FM2-LSB5-SL	Floodlight mounting bracket silver for 240-300W	810128113144	10	14.8" x 13.8" x 18.9"	26.5 lbs	10810128113141
ASD-FM2-LSB5-BR	Floodlight mounting bracket bronze for 240-300W	810128113137	10	14.8" x 13.8" x 18.9"	26.5 lbs	10810128113134
ASD-FM2-LSB5-BK	Floodlight mounting bracket black for 240-300W	810128113120	10	14.8" x 13.8" x 18.9"	26.5 lbs	10810128113127
ASD-FM3-LSB5-WH	Floodlight mounting bracket white for 500W	810128114097	5	16.3" x 19.5" x 13.4"	26.5 lbs	10810128114094
ASD-FM3-LSB5-SL	Floodlight mounting bracket silver for 500W	810128112055	5	16.3" x 19.5" x 13.4"	26.5 lbs	10810128112052
ASD-FM3-LSB5-BR	Floodlight mounting bracket bronze for 500W	810128112048	5	16.3" x 19.5" x 13.4"	26.5 lbs	10810128112045
ASD-FM3-LSB5-BK	Floodlight mounting bracket black for 500W	810128112031	5	16.3" x 19.5" x 13.4"	26.5 lbs	10810128112038
ASD-TR-LSB5-WH	Full trunnion mounting bracket white for 150-300W	810128113434	20	14.8" x 10.3" x 12.4"	44.1 lbs	10810128113431
ASD-TR-LSB5-SL	Full trunnion mounting bracket silver for 150-300W	810128111997	20	14.8" x 10.3" x 12.4"	44.1 lbs	10810128111994
ASD-TR-LSB5-BR	Full trunnion mounting bracket bronze for 150-300W	810128111058	20	14.8" x 10.3" x 12.4"	44.1 lbs	10810128111055
ASD-TR-LSB5-BK	Full trunnion mounting bracket black for 150-300W	810128111980	20	14.8" x 10.3" x 12.4"	44.1 lbs	10810128111987
ASD-TR2-LSB-WH	Full trunnion mounting bracket white for 500W	810128114295	10	14.5" x 14" x 8.2"	31.7 lbs	10810128114292
ASD-TR2-LSB-SL	Full trunnion mounting bracket silver for 500W	810128114288	10	14.5" x 14" x 8.2"	31.7 lbs	10810128114285
ASD-TR2-LSB-BR	Full trunnion mounting bracket bronze for 500W	810128114271	10	14.5" x 14" x 8.2"	31.7 lbs	10810128114278
ASD-TR2-LSB-BK	Full trunnion mounting bracket black for 500W	810128114264	10	14.5" x 14" x 8.2"	31.7 lbs	10810128114261

For most up-to-date spec sheets please refer to [asd-lighting.com](http://asd-lighting.com)